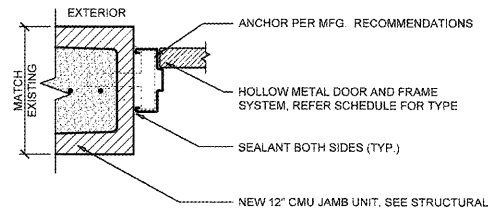
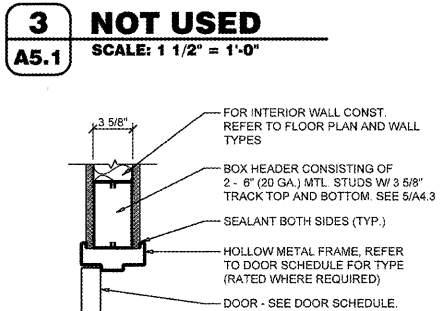


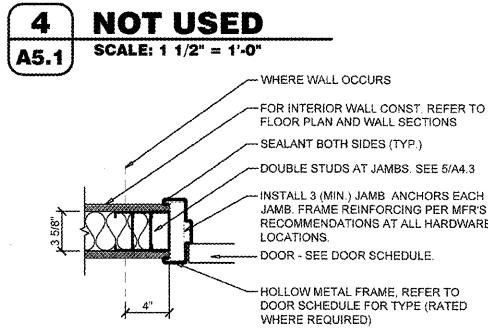
1 HEAD DETAIL
A5.1 SCALE: 1 1/2" = 1'-0"



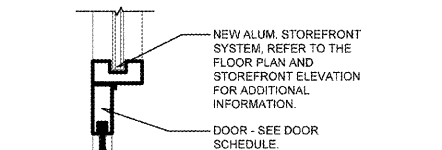
2 JAMB DETAIL
A5.1 SCALE: 1 1/2" = 1'-0"



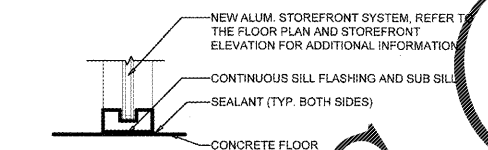
3 NOT USED
A5.1 SCALE: 1 1/2" = 1'-0"



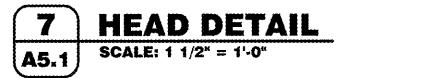
4 NOT USED
A5.1 SCALE: 1 1/2" = 1'-0"



5 HEAD DETAIL
A5.1 SCALE: 1 1/2" = 1'-0"



6 JAMB DETAIL
A5.1 SCALE: 1 1/2" = 1'-0"



7 HEAD DETAIL
A5.1 SCALE: 1 1/2" = 1'-0"



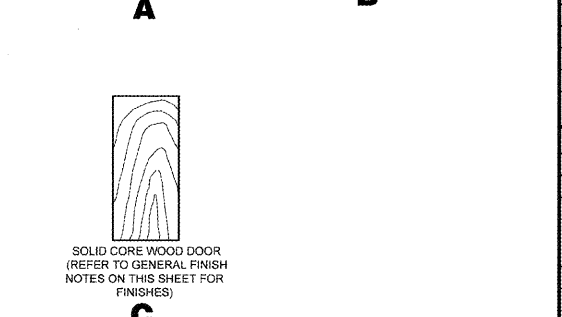
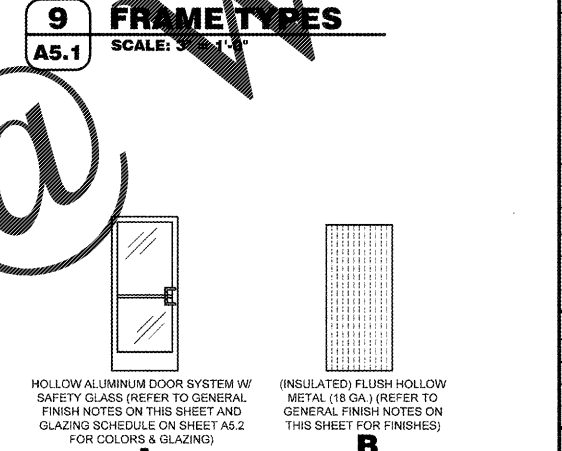
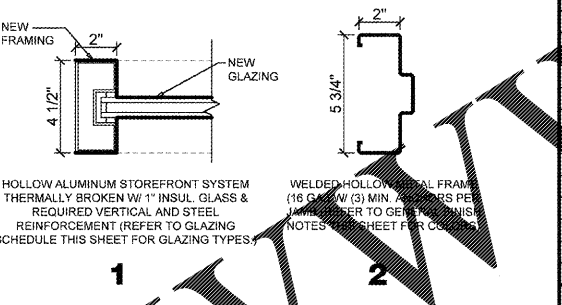
8 JAMB DETAIL
A5.1 SCALE: 1 1/2" = 1'-0"

DOOR SCHEDULE												
MK	DOOR					DOOR HARDWARE		FRAME		DETAILS		REMARKS
	SIZE (W x H x D)	TYPE	SWING	MATERIAL	GLAZING	SET #	KEYED	TYPE	MATERIAL	HEAD	JAMB	
1A	3'-0" x 7'-0"	A	REFER TO FLOOR PLAN	ALUM.		1	A	1	ALUM	7/A5.1	8/A5.1 (SIM)	REFER TO NOTE 1, 2
1B	3'-0" x 7'-0"	A	REFER TO FLOOR PLAN	ALUM.		1	A	1	ALUM	7/A5.1	8/A5.1 (SIM)	REFER TO NOTE 2
2	NOT USED											
3	2'-3'-0" x 7'-0"	EXG	REFER TO FLOOR PLAN	HOLLOW METAL	REFER TO GLAZING SCHEDULE	2	---	EXG	HOLLOW METAL	EXG	EXG	REFER TO NOTE 2
4	3'-0" x 7'-0" x 1-3/4"	C	REFER TO FLOOR PLAN	SOLID WOOD		4	---	2	HOLLOW METAL	5/A5.1	6/A5.1	REFER TO NOTE 1, 4
5	3'-0" x 7'-0" x 1-3/4"	C	REFER TO FLOOR PLAN	SOLID WOOD		5	---	2	HOLLOW METAL	1/A5.1	2/A5.1	REFER TO NOTE 1, 4
6	3'-0" x 7'-0" x 1-3/4"	C	REFER TO FLOOR PLAN	SOLID WOOD		5	---	2	HOLLOW METAL	5/A5.1	6/A5.1	REFER TO NOTE 1, 4
7	3'-0" x 7'-0" x 1-3/4"	B	REFER TO FLOOR PLAN	HOLLOW METAL		6	A	2	HOLLOW METAL	1/A5.1	2/A5.1	REFER TO NOTE 2
8	2'-2'-2" x 7'-0"	EXG	REFER TO FLOOR PLAN	METAL		---	---	EXG	HOLLOW METAL	EXG	EXG	SWINGING
9	4'-2" x 7'-0" x 1-3/4"	B	REFER TO FLOOR PLAN	HOLLOW METAL		2	---	2	HOLLOW METAL	1/A5.1	2/A5.1	REFER TO NOTE 2

NOTES:
 1. ALL DOORS SHALL BE SHOP PREPARED FOR HARDWARE.
 2. ALL EXTERIOR DOORS TO BE KEYED ALIKE. CONTRACTOR TO FIELD VERIFY AND MATCH CORE OF DOOR MARKED "2".
 3. EXTERIOR DOOR, FRAME AND HARDWARE SUPPLIED BY TENANT, CONTRACTOR INSTALLED.
 4. IT IS THE CONTRACTOR'S OPTION TO DIRECT ORDER AND PURCHASE INTERIOR DOORS, HOLLOW METAL FRAMES AND HARDWARE THROUGH LOCKNET.
 5. FRAME FOR INDICATED DOOR TO HAVE 4" HEAD.
 6. G.C. IS TO VERIFY THE OVERALL OPENING BEFORE ORDERING THE DOOR.
LOCKNET
 100 COURCHELLE DRIVE NICHOLASVILLE, KY 40356
 PHONE: 606-887-4307 EXT 133 FAX: 606-891-5489
 EMAIL: construction@locknet.com

GENERAL FINISH NOTES FOR INTERIOR DOORS & FRAMES:
 A. WOOD DOORS SHALL BE CUSTOM GRADE ROTARY SLICED NATURAL BIRCH WITH FACTORY PREFINISH. FINISH SHALL BE EQUAL TO GRAHAM #300-MEDIUM BROWN. ANY VARIATION TO BE APPROVED BY O'REILLY AUTO PARTS.
 B. INTERIOR HOLLOW METAL FRAMES SHALL BE SHOP PRIMED AND FIELD PAINTED WITH 2 COATS SEMI-GLOSS ENAMEL GLIDE TO REILLY GREEN.

HARDWARE SCHEDULE			
SET NUMBER 1 (DOOR MARK 1A & 1B)			
NO.	PART	DESCRIPTION	MANUFACTURER
		CYLINDER 20-062 X US28 KEYWAY (REMOVABLE CORE) AND EXTERIOR SIDE	SCHLAGE
REQUIRED HARDWARE FINISHED WITH STOREFRONT DOOR SYSTEM			
1	SCREW	MS1850S X US28	ADAMS RITE
1	DEADBOLT LEVER	4550 X US28	ADAMS RITE
1	STRUT	MS4002 X US28	ADAMS RITE
1	CLOSER	4040BC X AL. (ADJ. TO 5#)	LCN
1	PIVOT OFFSET PIVOTS	195188 X US26D	RIXON
1	SET PUSH / PULLS	CO-12/CPII X US26D	KAWNEER
1	SET WEATHERSTRIP	WOOL PILE, CONT., REPLACEABLE	PEMCO
1	SWEEP	RETRACTING RESILIENT SEAL TYPE	PEMCO
1	THRESHOLD	ANSI AND ADA COMPLIANT (1/2" HEIGHT MAX.)	PEMCO
SET NUMBER 2 (DOOR MARK 3 AND 9)			
NO.	PART	DESCRIPTION	MANUFACTURER
1.5	CONTINUOUS HINGE	780-112HD	HANGER
1	EXIT DEVICE	9300 B 486 / 689 - PR103 630 THRU-BOLTED ITEM W/ SEX BOLTS	DORMA
1	RIM CYLINDER	20-057 RIM CYLINDER IC, W/ SCHLAGE E KEYWAY (LARGE FORMAT) - 26D - W/ 2 SECURITY KEYS AND 1 CORE KEY PER LOCK, 1 BITTED	SCHLAGE
1	DOOR CLOSER	8618DST HD GR 1, ADJ #3 X 689 FINISH W/COVER THRU-BOLTED ITEM W/SEX BOLT INCLUDES HOLD OPEN ARM W/ THUMBTURN	DORMA
1	LATCHGUARD	LG1002/SF STRAIGHT W/PIN W/ SEX BOLTS	LATCHGUARD
1	KICKPLATE	8 X 34 X .050 SS FINISH	HAGER
1	THRESHOLD	36" ALUM MILL ADA COMPLIANT (1/2" HEIGHT MAX.)	POSTEL
1	SWEEP	CONCEALED ALUM MILL VINYL BULB	POSTEL
1	SET WEATHERSTRIP	JAMBS: KERFED QEBD-500 HEADER: ADHESIVE QDST-675	SCHLEGEL
1	DOOR VIEWER	698B-190 DEGREE WIDE ANGLE - 26D	IVES
SET NUMBER 4 (DOOR MARK 4)			
NO.	PART	DESCRIPTION	MANUFACTURER
1	OFFICE LOCK SET	AU5307LN X US26D	YALE
1	WALL BUMPER	409 X US26D	ROCKWOOD
1.5	PAIR HINGES	BB1279 X 4.5 X 4.5 X US26D	HAGAR
SET NUMBER 5 (DOOR MARK 5 AND 6)			
NO.	PART	DESCRIPTION	MANUFACTURER
1.5	PAIR HINGES	BB1279 X 4.5 X 4.5 X US26D	HAGAR
1	PRIVACY LOCKSET	AU5302LN X US26D	YALE
1	WALL BUMPER	409 X US26D AT DOOR NUMBER 6	ROCKWOOD
1	FLOOR STOP	440 X US26D AT DOOR NUMBER 5 (MOUNT AS CLOSE TO CORNER AS POSSIBLE)	ROCKWOOD
SET NUMBER 6 (DOOR MARK 7)			
NO.	PART	DESCRIPTION	MANUFACTURER
1.5	PAIR HINGES	ECBB1100 4.5" X 4.5" NRP US26D	HAGAR
1	EXIT DEVICE	8300 B 486 / 689 EXIT ONLY	DORMA
1	DOOR CLOSER	5300 MLT ADJ 2-8 ALUM - GRADE 1 CLOSER WITH BACK CHECK - WITH COVER THRU-BOLTED ITEMS W/ SEX BOLTS	HAGAR
1	LATCH GUARD	LG1002/SF STRAIGHT W/PIN W/ SEX BOLTS	LATCHGUARD
1	THRESHOLD	36" ALUM MILL ADA COMPLIANT (1/2" HEIGHT MAX.)	POSTEL
1	SWEEP	CONCEALED ALUM MILL VINYL BULB	POSTEL
1	SET WEATHERSTRIP	JAMBS: KERFED QEBD-500 HEADER: ADHESIVE QDST-675	SCHLEGEL



10 DOOR ELEVATIONS
A5.1 SCALE: 1/4" = 1'-0"

GENERAL NOTES

1. REFER TO ARCHITECTURAL GENERAL SPECIFICATIONS FOR ADDITIONAL INFORMATION.

CASCO + R5
 12 Sunnen Drive, Suite 100,
 St. Louis, MO 63143
 321.1100

REVISIONS:

ADD #1	03/14/18
--------	----------

O'Reilly AUTO PARTS
 CORPORATE OFFICES
 233 SOUTH PATTERSON
 SPRINGFIELD, MISSOURI 65802
 417-865-2674 PHONE

PROJECT:
RE-MODEL O'REILLY AUTO PARTS STORE
 103 E. GORDON AVE.
 GORDONSVILLE, VA 22942
DOOR SCHEDULE & DETAILS

COMMONWEALTH OF VIRGINIA
 MARK S. BROMBERG
 ARCHITECT
 License #15841
 Exp. Date 11/30/19
 Professional of Record

DRAWN: RLJ
 CHECKED: MGC
 DATE: 10-17-2018
 JOB NO.: 118168 (GDV)
 SHEET:

A5.1

Order Plans @

COPYRIGHT 2018 - DESIGNS, DRAWINGS AND SPECIFICATIONS ARE INSTRUMENTS OF SERVICE AND ARE THE PROPERTY OF THE DESIGN PROFESSIONAL. REPRODUCTION PROHIBITED WITHOUT THE EXPRESSED WRITTEN CONSENT OF THE DESIGN PROFESSIONAL.