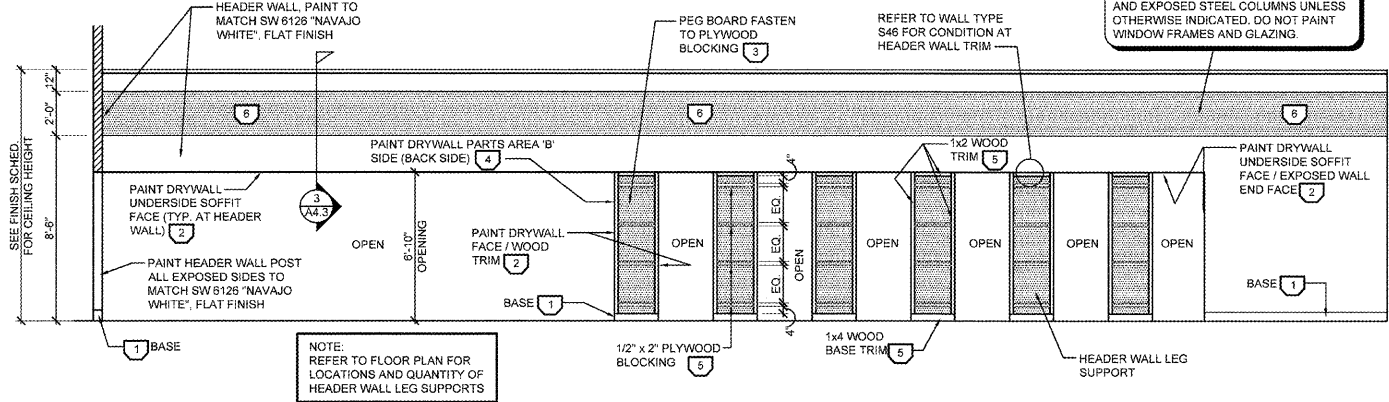


**HEADER WALL LEG SUPPORT FINISHES**

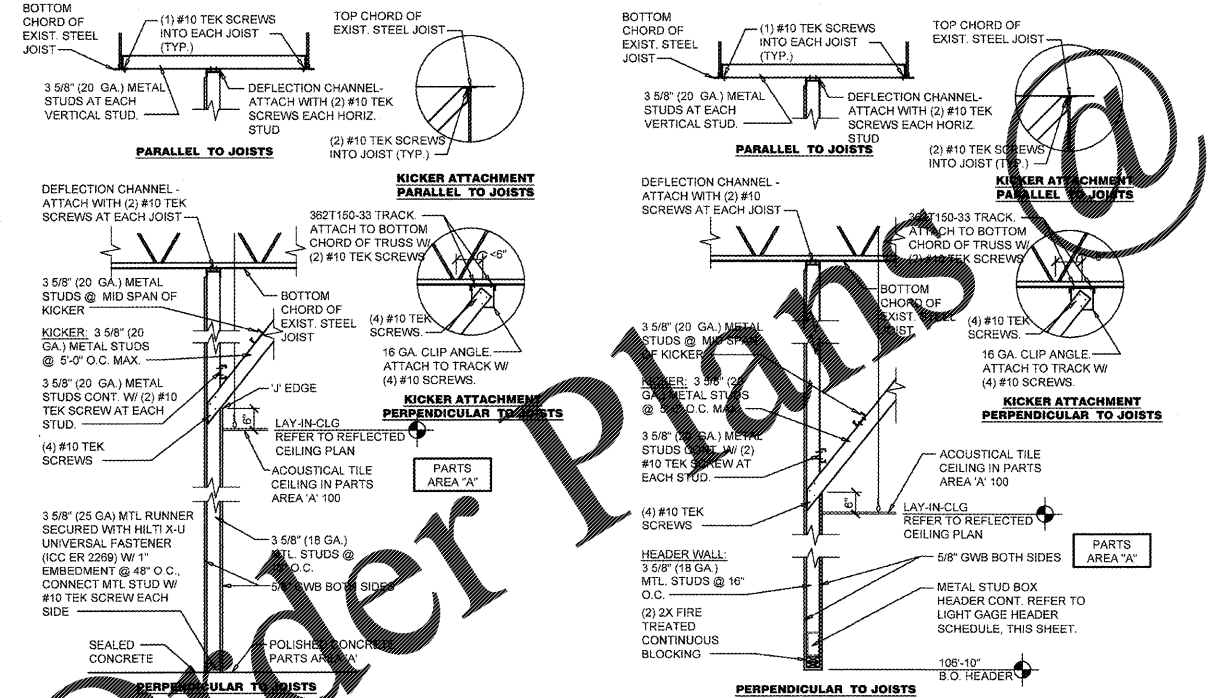
- 1 BASE: "B-1", SEE FINISH LEGEND ON SHEET A1.2 - PROVIDE BASE ON BACK SIDE AND BOTH ENDS, NO BASE BELOW PEG BOARD.
- 2 PAINT: SW 6468 "HUNT CLUB GREEN", FLAT FINISH - BOTH DRYWALL ENDS, UNDERSIDE SOFFIT FACE INCLUDING OUTSIDE EDGE OF WOOD TRIM.
- 3 PAINT: SWR258 "TRICORN BLACK", FLAT FINISH - EXPOSED PEGBOARD SURFACES.
- 4 PAINT: SW 6126 "NAVAJO WHITE", FLAT FINISH.
- 5 PAINT: SW6259 "TRICORN BLACK", FLAT FINISH - WOOD EXPOSED SURFACES.
- 6 PAINT: SW 6468 "HUNT CLUB GREEN", SEMI-GLOSS FINISH - PERIMETER STRIPE

**PAINT STRIPE NOTE:**  
PAINT STRIPE OCCURS AROUND ALL INTERIOR PERIMETER OF PARTS AREA "A" SURFACES INCLUDING WALL SURFACES AND EXPOSED STEEL COLUMNS UNLESS OTHERWISE INDICATED. DO NOT PAINT WINDOW FRAMES AND GLAZING.



**1 PARTS AREA "A" HEADER WALL ELEVATION**  
A4.3 SCALE: 1/4" = 1'-0"

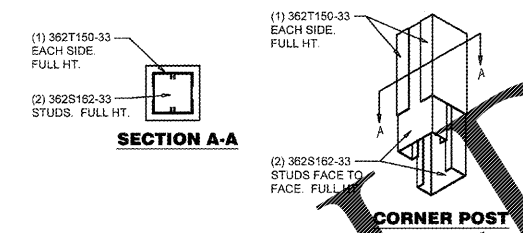
FOR SPANS...	USE...
UP TO 14 FT.	(2) 800S162-33
14 FT. TO 16 FT.	(2) 800S162-43
16 FT. TO 20 FT.	(2) 800S162-54
20 FT. TO 26 FT.	(2) 1000S162-54



**2 INTERIOR WALL SECTION**  
A4.3 SCALE: 1/2" = 1'-0"

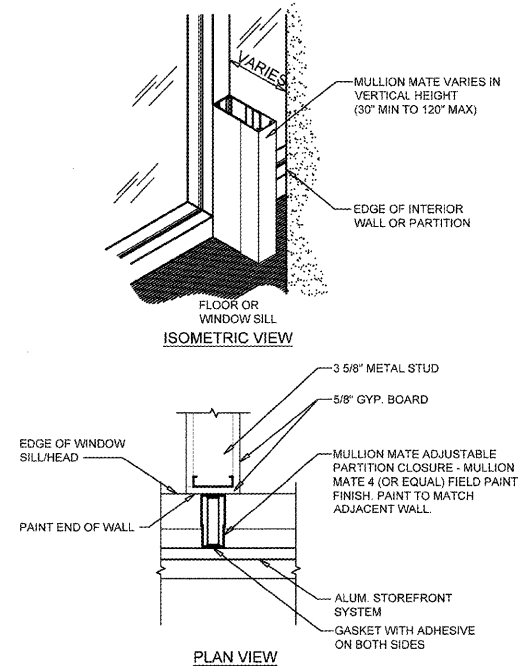
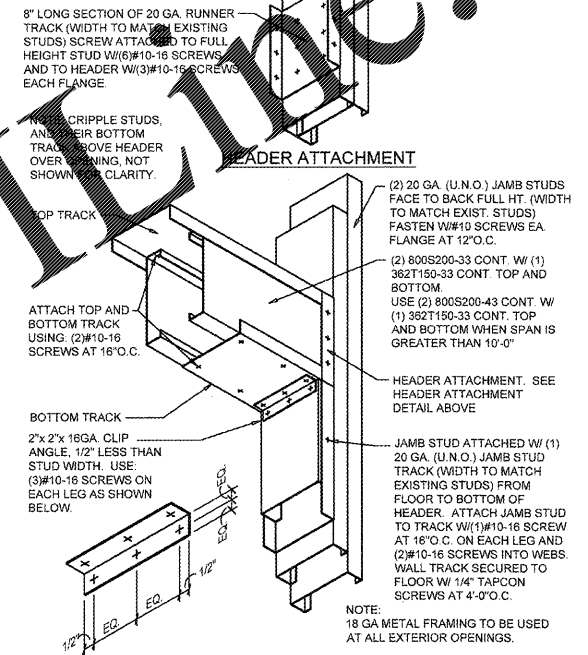
**3 HEADER WALL SECTION**  
A4.3 SCALE: 1/2" = 1'-0"

**4 NOT USED**  
A4.3 SCALE: 1 1/2" = 1'-0"

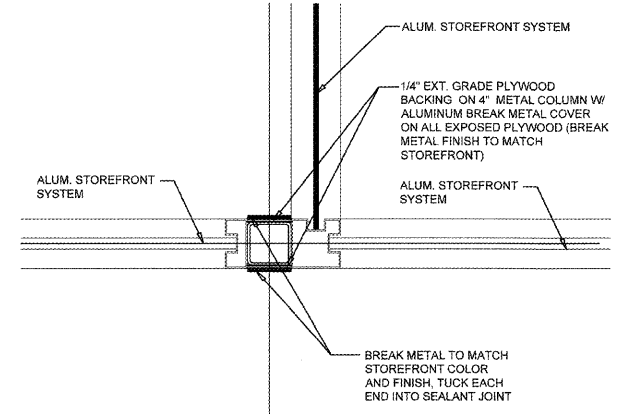


**5 CORNER POST DETAIL**  
A4.3 SCALE: 1 1/2" = 1'-0"

**6 HEADER WALL ATTACHMENT DETAIL**  
A4.3 SCALE: 1 1/2" = 1'-0"



**7 PARTITION CLOSURE**  
A4.3 SCALE: 1 1/2" = 1'-0"



**8 STOREFRONT JAMB**  
A4.3 SCALE: 1 1/2" = 1'-0"

**GENERAL NOTES**

- REFER TO FINISH PLAN FOR ALL FINISH TYPES.
- REFER TO ELECTRICAL DRAWINGS FOR ALL ELECTRICAL INFORMATION.
- REFER TO MECHANICAL DRAWINGS FOR ALL HVAC INFORMATION.
- GYPSONUM WALLBOARD TO BE 5/8" TYPE X FIRE-RATED TYPE UNLESS NOTED OTHERWISE.
- ALL NEW BUILDING MATERIALS TO BE OF NON-COMBUSTIBLE OR WOOD FIRE RETARDANT TREATED MATERIAL.

**CASCO + R5**  
12 Sunnen Drive, Suite 100,  
St. Louis, MO 63143  
821.1100

REVISIONS:


**O'Reilly AUTO PARTS**  
CORPORATE OFFICES  
233 SOUTH PATTERSON  
SPRINGFIELD, MISSOURI 65802  
417-862-2874 PHONE

**PROJECT:**  
**RE-MODEL O'REILLY AUTO PARTS STORE**  
**103 E. GORDON AVE.**  
**GORDONSVILLE, VA 22942**  
**INTERIOR SECTIONS & DETAILS**

Professional of Record  
License #015841  
Exp. Date: 11/30/19

DRAWN: RLJ  
CHECKED: MGC  
DATE: 10-17-2018  
JOB NO.: 118168 (GDV)  
SHEET:

**A4.3**

COPYRIGHT 2018 - DESIGNS, DRAWINGS AND SPECIFICATIONS ARE INSTRUMENTS OF SERVICE AND ARE THE PROPERTY OF THE DESIGN PROFESSIONAL. REPRODUCTION PROHIBITED WITHOUT THE EXPRESSED WRITTEN CONSENT OF THE DESIGN PROFESSIONAL.