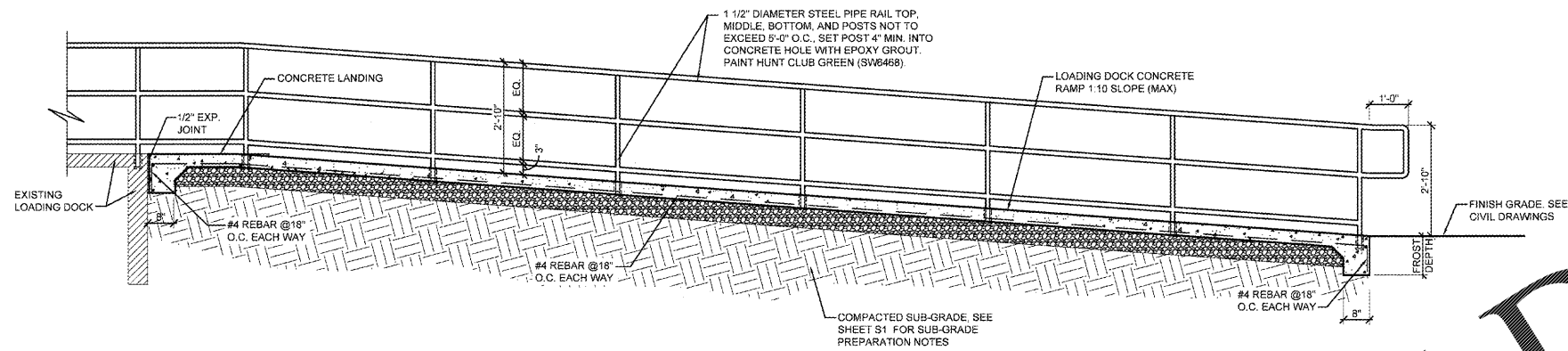
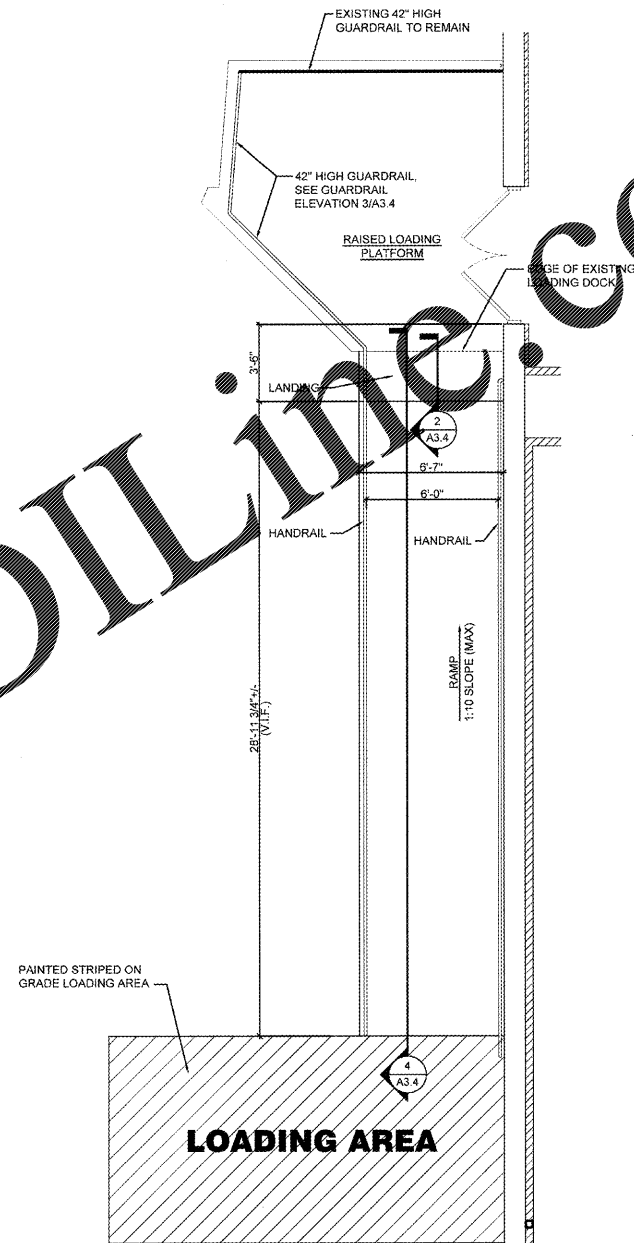


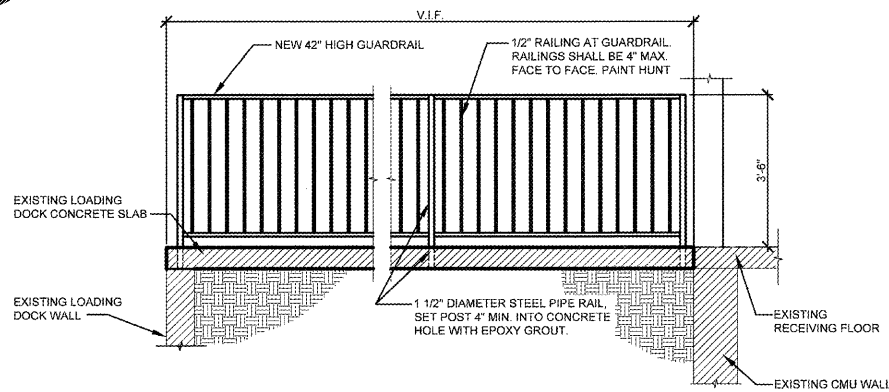
Order Plans @ www.LDILine.com



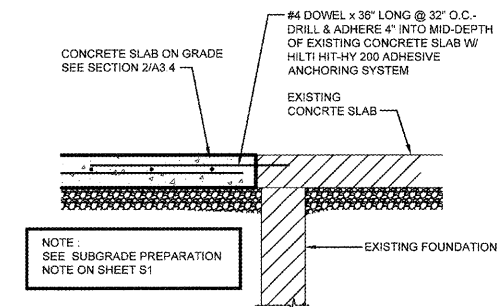
4 RAMP SECTION DETAIL
A3.4 SCALE: 1/2" = 1'-0"



1 ENLARGED RAISED LOADING PLATFORM
A3.4 SCALE: 1/4" = 1'-0"



3 GUARDRAIL ELEVATION
A3.4 SCALE: 1/2" = 1'-0"



2 SECTION
A3.4 SCALE: 3/4" = 1'-0"

CASCO + R5
 12 Sunner Drive, Suite 100,
 St. Louis, MO 63143
 314.821.1100

REVISIONS:

O'Reilly AUTO PARTS

CORPORATE OFFICES
 233 SOUTH PATTERSON
 SPRINGFIELD, MISSOURI 65802
 417-862-2874 PHONE

PROJECT:
RE-MODEL O'REILLY AUTO PARTS STORE

**103 E. GORDON AVE.
 GORDONSVILLE, VA 22942**

RAISED LOADING PLATFORM

Professional of Record
 License #015841
 Exp. Date: 11/30/19

DRAWN: RLJ
 CHECKED: MGC
 DATE: 10-17-2018
 JOB NO.: 118166 (GDV)
 SHEET:

A3.4

COPYRIGHT 2018 - DESIGNS, DRAWINGS AND SPECIFICATIONS ARE INSTRUMENTS OF SERVICE AND ARE THE PROPERTY OF THE DESIGN PROFESSIONAL. REPRODUCTION PROHIBITED WITHOUT THE EXPRESSED WRITTEN CONSENT OF THE DESIGN PROFESSIONAL.