

REVISIONS:

**O'Reilly AUTO PARTS**

CORPORATE OFFICES  
 233 SOUTH PATTERSON  
 SPRINGFIELD, MISSOURI 65802  
 417-862-2874 PHONE

PROJECT:  
**RE-MODEL O'REILLY AUTO PARTS STORE**

**103 E. GORDON AVE.  
 GORDONSVILLE, VA 22942**

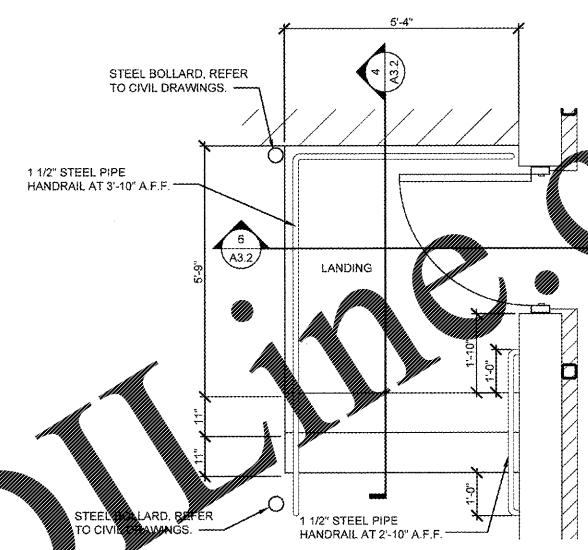
**STAIR DETAILS**



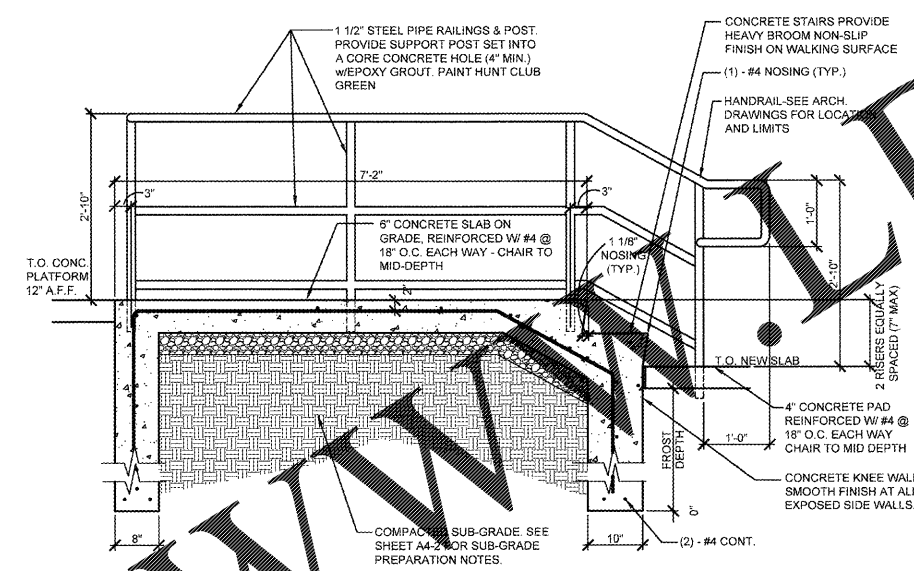
DRAWN: RLJ  
 CHECKED: MGC  
 DATE: 10-17-2018  
 JOB NO.: 118168 (GDV)  
 SHEET:

**A3.2**

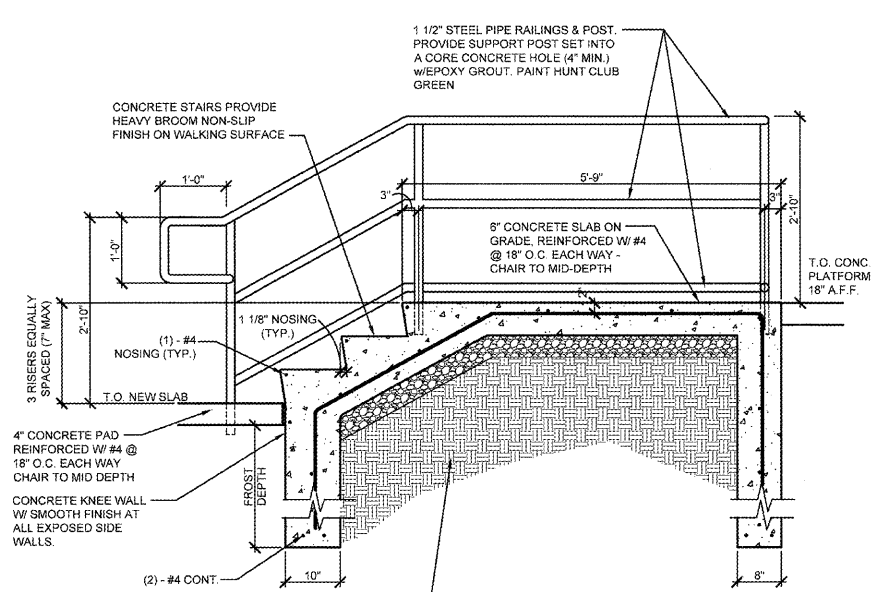
COPYRIGHT 2018 - DESIGNS, DRAWINGS AND SPECIFICATIONS ARE INSTRUMENTS OF SERVICE AND ARE THE PROPERTY OF THE DESIGN PROFESSIONAL. REPRODUCTION PROHIBITED WITHOUT THE EXPRESSED WRITTEN CONSENT OF THE DESIGN PROFESSIONAL.



**1 EXIT STAIR DETAIL**  
 A3.2 SCALE: 1/2" = 1'-0"

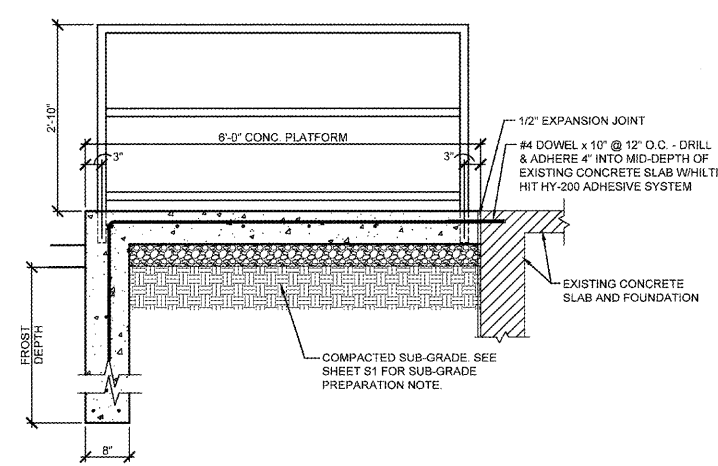


**3 STAIR SECTION**  
 A3.2 SCALE: 3/4" = 1'-0"

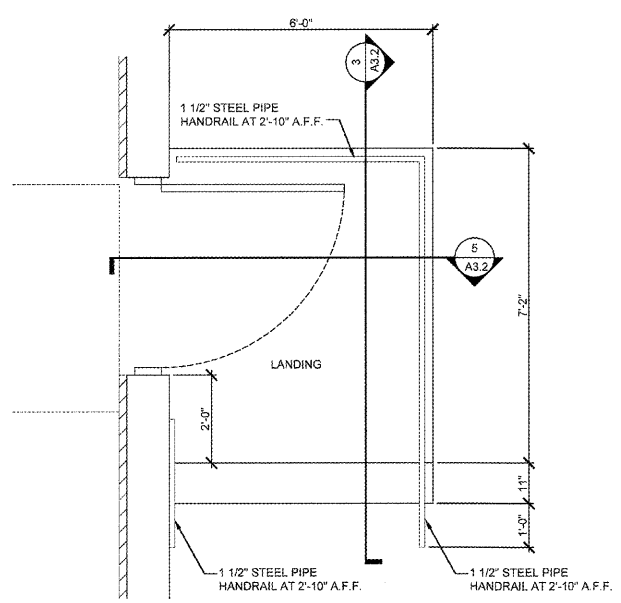


**4 STAIR SECTION**  
 A3.2 SCALE: 3/4" = 1'-0"

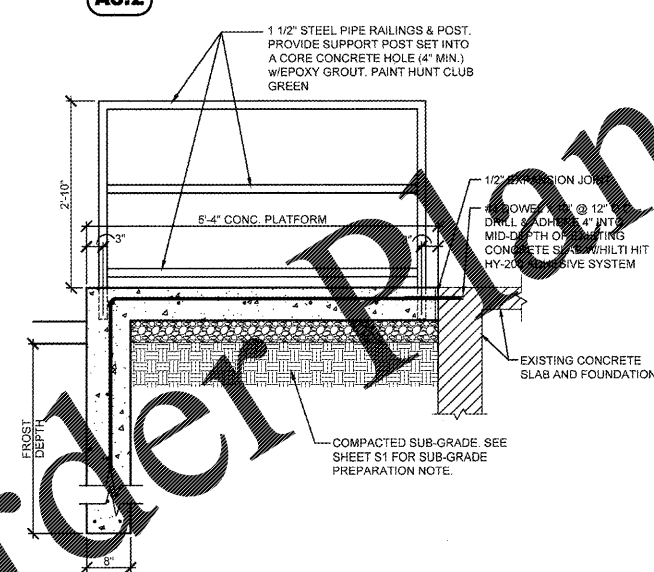
- GENERAL NOTES:**
1. GRIND ALL WELDED JOINTS SMOOTH PRIME AND PAINT "HUNT CLUB GREEN" SW6468.
  2. CONTRACTOR IS RESPONSIBLE FOR ALL STAIRS & RAILINGS COMPLYING WITH LOCAL CODES.
  3. SEE FLOOR PLANS AND PARTITION TYPES FOR MORE INFORMATION.
  4. RISER HEIGHT: 7 1/2" MAXIMUM.
  5. NOSING: 1/2" RAILING W/ 4" PROJECTION BEYOND THE TREAD.



**5 STAIR SECTION**  
 A3.2 SCALE: 3/4" = 1'-0"



**2 EXIT STAIR DETAIL**  
 A3.2 SCALE: 1/2" = 1'-0"



**6 STAIR SECTION**  
 A3.2 SCALE: 3/4" = 1'-0"

Order Plans

WWW.DIline.com