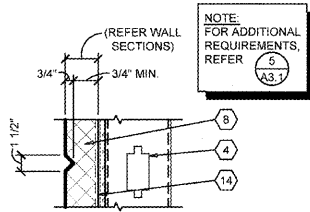
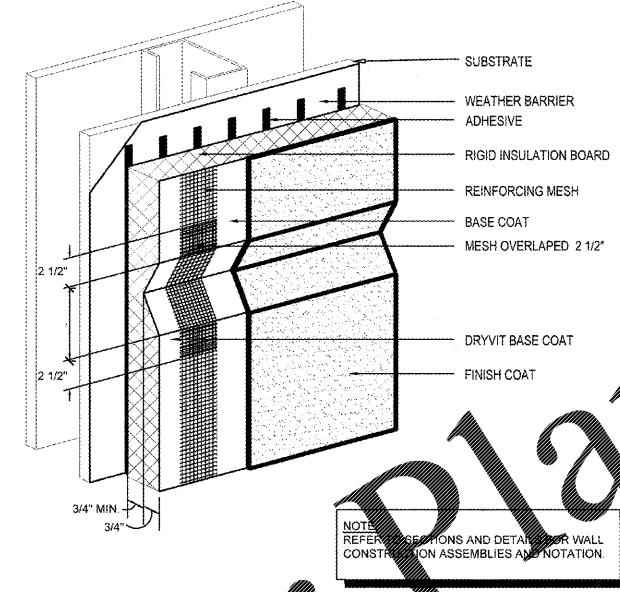


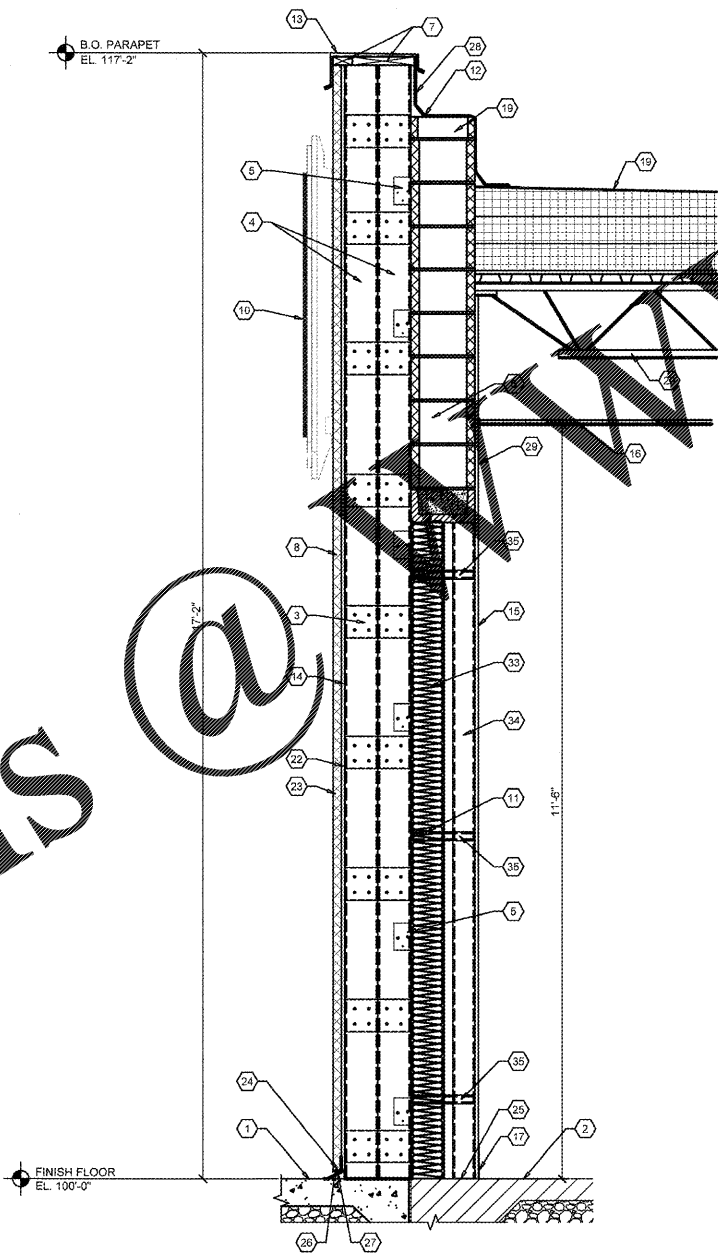
3 WALL SECTION
A3.1 SCALE: 1 1/2" = 1'-0"



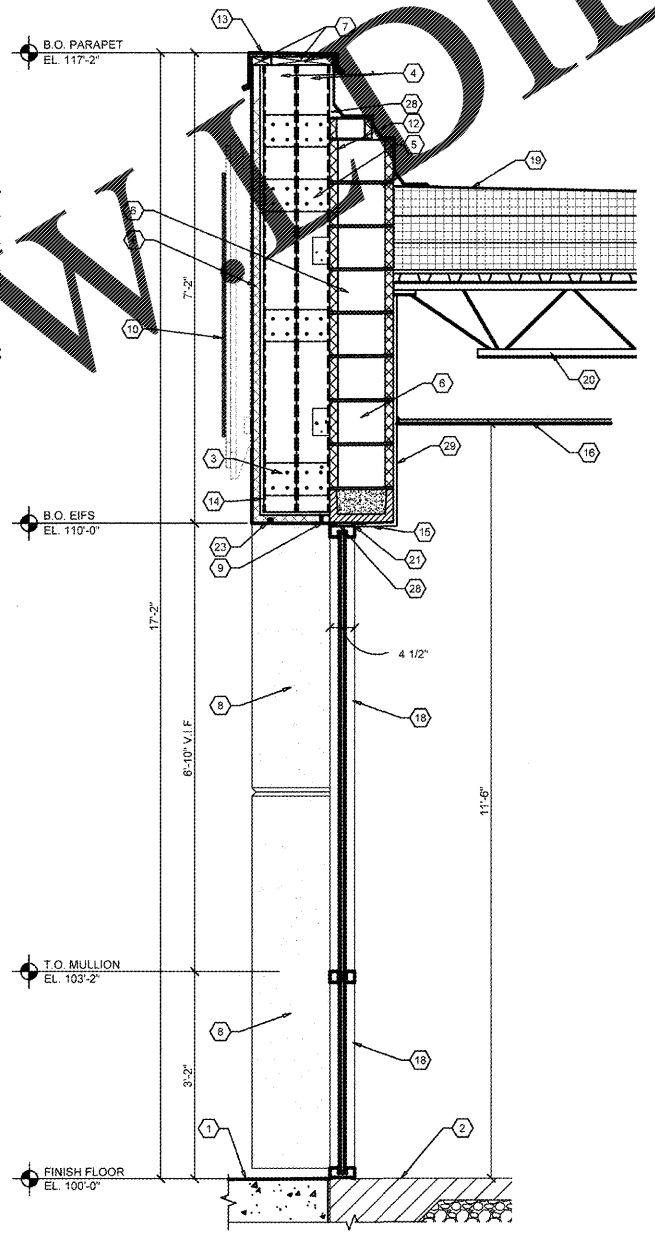
4 SECTION
A3.1 SCALE: 1 1/2" = 1'-0"



5 EIFS DECORATIVE JOINT DETAIL
A3.1 SCALE: N.T.



2 WALL SECTION
A3.1 SCALE: 3/4" = 1'-0"



1 WALL SECTION
A3.1 SCALE: 3/4" = 1'-0"

GENERAL NOTES

REFER TO PROJECT MANUAL AND SCOPE OF WORK SCHEDULE FOR ADDITIONAL REQUIREMENTS.
REFER TO CIVIL, STRUCTURAL, MECHANICAL, ELECTRICAL, PLUMBING AND PRE-ENGINEERED METAL BUILDING (P.E.M.B.) SHOP DRAWINGS FOR ADDITIONAL REQUIREMENTS.
REFER TO INTERIOR AND EXTERIOR FINISH SCHEDULE FOR MATERIAL TYPES, COLORS AND FINISHES.
DIMENSIONS ARE TO FACE OF CONCRETE, MASONRY, FRAMING, OR CENTER LINE OF STRUCTURE UNLESS OTHERWISE INDICATED.

KEYNOTES

- 1 PAVEMENT OR SIDEWALK SHALL DRAIN AWAY FROM BUILDING.
- 2 EXISTING CONCRETE FLOOR SLAB. REFER TO STRUCTURAL DRAWINGS.
- 3 METAL STUD BRIDGING @ 24" O.C. ATTACH TO STUDS WITH (4) #10 STEEL BOLTS.
- 4 6" (R-19) (3/8" FLANGE) COLD FORM METAL STUD FRAMING AT 16" O.C.
- 5 ATTACH EACH STUD W/ STIFF CLIP LB800-43 BY THE STEEL NETWORK W/ (4) #12 SCREWS INTO STUDS AND (2) 3/16 HILTI KWIK CONN-11 FASTENERS.
- 6 EXISTING CMU WALL CONSTRUCTION TO REMAIN.
- 7 FIRE TREATED 2X NAILER(S) CONTINUOUS. CUT TO FIT WALL WIDTH. ATTACHED TO METAL STUD FRAMING WITH #12 SCREWS AT 24" O.C. STAGGERED. ATTACHED TO CMU BOND BEAM WITH 1/2" DIA. ANCHORS AT 32" O.C.
- 8 EXTERIOR INSULATION FINISH SYSTEM (EIFS) OVER RIGID INSULATION DRAINAGE BOARD IN THICKNESS INDICATED.
- 9 EXTERIOR INSULATION FINISH SYSTEM (EIFS) TOP TRACK WITH BACKER ROD & SEALANT JOINT.
- 10 SURFACE MOUNTED WALL SIGN, OWNER FURNISHED AND INSTALLED. (REFER TO SCOPE OF WORK SCHEDULE). PROVIDE BACKING AND ELECTRICAL ROUGH-IN. REFER TO ELECTRICAL DRAWINGS.
- 11 5 1/2" (R-19) BATT INSULATION WITH FOIL FACE VAPOR BARRIER.
- 12 FLEXIBLE FLASHING CONTINUOUS TO LAP OVER NAILERS AND DOWN BEHIND CONTINUOUS CLEATS ON BOTH SIDES. LAP JOINTS 8" MINIMUM AND MASTIC, COORDINATE WITH LANDLORDS ROOFER.
- 13 FLASHING, COUNTER-FLASHING, CONTINUOUS CLEATS, DRIPS CLOSURES, TRANSITIONS, COPINGS AND ACCESSORIES AS REQUIRED.
- 14 5/8" EXTERIOR FIBERGLASS REINFORCED SHEATHING WITH CONTINUOUS WEATHER BARRIER.
- 15 5/8" TYPE "X" GYPSUM BOARD. REFER TO INTERIOR WALL TYPES FOR ADDITIONAL REQUIREMENTS. GYPSUM BOARD TO BE FLUSH WITH EXISTING GYPSUM BOARD ABOVE. (V.I.F.)
- 16 SUSPENDED ACOUSTICAL LAY - IN CEILING SYSTEM. REFER TO INTERIOR FINISH SCHEDULE FOR TYPES AND LOCATIONS.
- 17 FLOORING AND BASE. REFER TO INTERIOR FINISH SCHEDULE FOR TYPES AND LOCATIONS.
- 18 ALUMINUM WINDOW SYSTEM. REFER TO FLOOR PLAN AND WINDOW SCHEDULES FOR TYPES.
- 19 NEW ROOF SYSTEM BY OWNER.
- 20 EXISTING BUILDING PRIMARY AND SECONDARY STRUCTURAL FRAMING SYSTEMS.
- 21 SEALANT BOTH SIDES (TYPICAL). PROVIDE FOAM INSULATION AT SHIM CAVITY.
- 22 1/2" EXTERIOR GRADE PLYWOOD SHEATHING
- 23 EXTERIOR INSULATION FINISH SYSTEM (EIFS) SOFFIT WEEP TRACK WITH BACKER ROD & SEALANT JOINT.
- 24 EXTERIOR INSULATION FINISH SYSTEM (EIFS) BOTTOM WEEP TRACK WITH BACKER ROD & SEALANT JOINT.
- 25 ATTACH BOTTOM TRACK W/ HILTI X-U UNIVERSAL FASTENER (ICC ER 2269) W/ 1" EMBEDMENT @ 48" O.C., CONNECT MTL STUD W/ #12 TEK SCREW EACH SIDE.
- 26 HOLD EIFS OFF SIDEWALK 2", INSTALL METAL FLASHING COLOR TO MATCH EIFS, SET IN A BEAD OF SEALANT.
- 27 CLOSE OFF WALL WITH METAL FLASHING AND SEAL WEATHER TIGHT.
- 28 5/8" PLYWOOD SHIM.
- 29 EXISTING FURRED WALL W/ GYP. BD.
- 30 EXISTING BRICK
- 31 EXISTING STEEL COLUMN
- 32 LINE OF EIFS SOFFIT ABOVE
- 33 6" METAL STUD WALL 16 GA. @ 16" O.C.
- 34 3 5/8" METAL STUD WALL 16 GA. @ 24" O.C. (ADJUST WITH DRYWALL TO ALIGN WITH EXISTING DRYWALL ABOVE)
- 35 CLIPS AT 48" O.C. VERTICAL AT EACH ALTERNATE STUD

CASCO + R5
12 Sunnen Drive, Suite 100,
St. Louis, MO 63143
314.821.1100

REVISIONS:

O'Reilly AUTO PARTS
CORPORATE OFFICES
233 SOUTH PATTERSON
SPRINGFIELD, MISSOURI 65802
417-862-2874 PHONE

PROJECT:
RE-MODEL O'REILLY AUTO PARTS STORE
103 E. GORDON AVE.
GORDONSVILLE, VA 22942
EXTERIOR ELEVATIONS

COMMONWEALTH OF VIRGINIA
MARK S. STROMMEL
Lic. No. 015841
ARCHITECT
Mark S. Strommel
Lic. No. 015841
Exp. Date: 11/03/19
Professional of Record

DRAWN: RLJ
CHECKED: MGC
DATE: 10-17-2018
JOB NO.: 118168 (GDV)
SHEET:

A3.1

Order Plans

COPYRIGHT 2018 - DESIGNS, DRAWINGS AND SPECIFICATIONS ARE INSTRUMENTS OF SERVICE AND ARE THE PROPERTY OF THE DESIGN PROFESSIONAL. REPRODUCTION PROHIBITED WITHOUT THE EXPRESSED WRITTEN CONSENT OF THE DESIGN PROFESSIONAL.