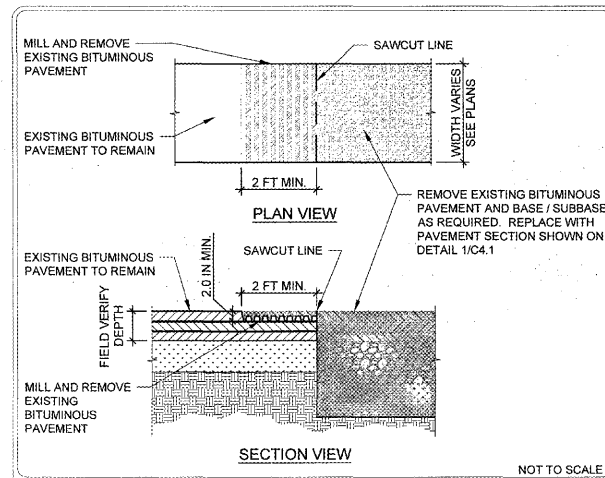
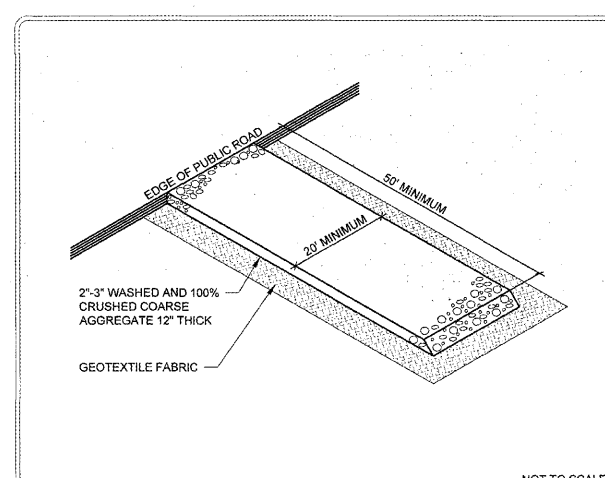


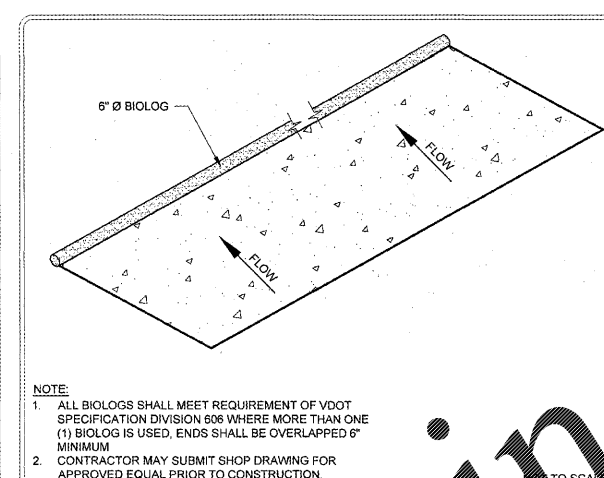
**VAA** JOINT DETAILS  
 PLATE NO. C-5002



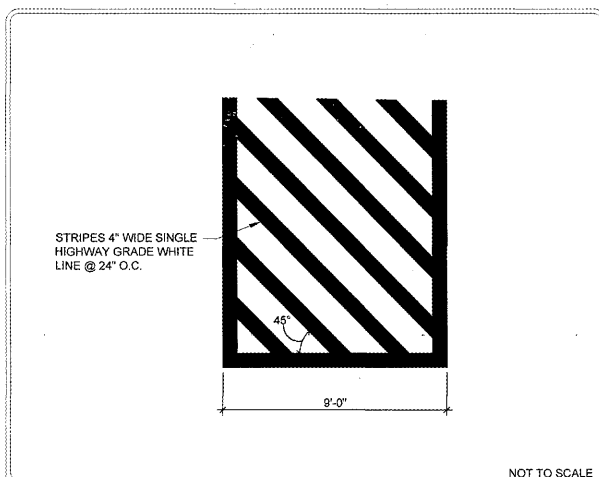
**VAA** MILLED BITUMINOUS EDGE DETAIL  
 PLATE NO. C-5023



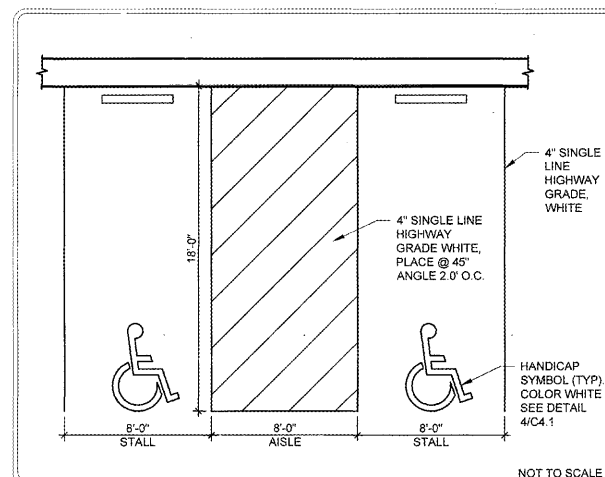
**VAA** ROCK CONSTRUCTION ENTRANCE DETAIL  
 (NOT SHOWN ON PLAN CONTRACTOR TO FIELD FIT)  
 PLATE NO. C-1005



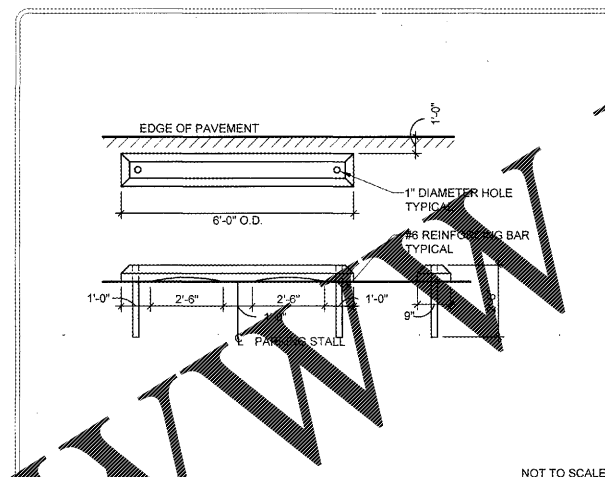
**VAA** BIOLOG DETAIL (PERIMETER PROTECTION)  
 PLATE NO. C-1006



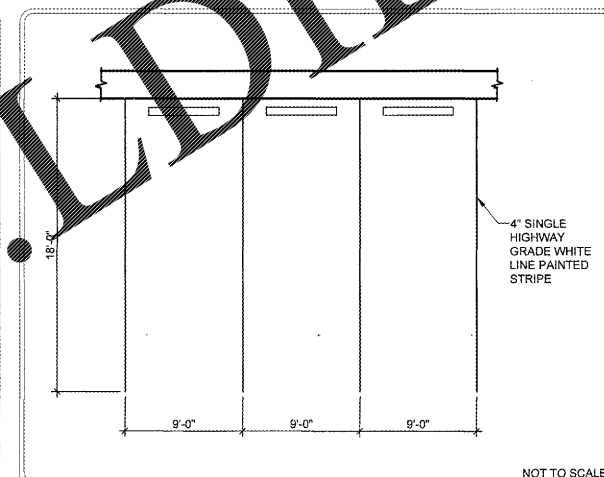
**VAA** NO PARKING AREA  
 PLATE NO. C-5004



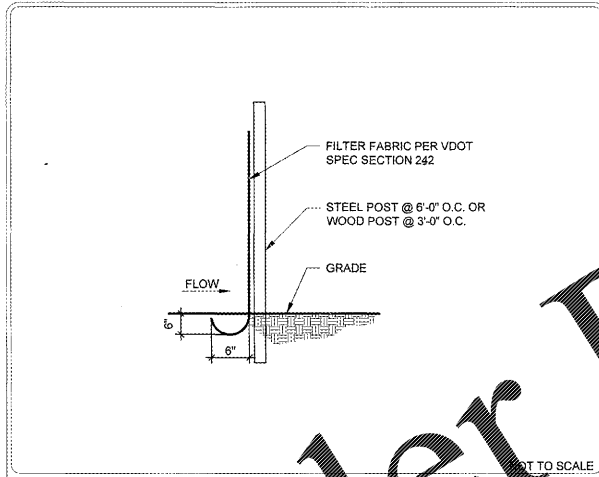
**VAA** ACCESSIBLE PARKING STALL(S) DETAIL  
 PLATE NO. C-5024



**VAA** PRECAST CONCRETE WHEEL STOP  
 PLATE NO. C-5006



**VAA** PAVEMENT MARKING DETAIL  
 PLATE NO. C-5085



**VAA** SILT FENCE DETAIL  
 PLATE NO. C-1002

Order Plans @



REVISIONS:

|  |  |
|--|--|
|  |  |
|  |  |
|  |  |
|  |  |

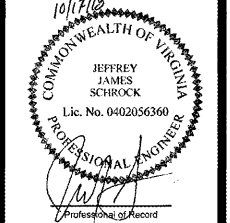
**O'Reilly AUTO PARTS**

CORPORATE OFFICES  
 233 SOUTH PATTERSON  
 SPRINGFIELD, MISSOURI 65802  
 417-862-2674 PHONE

PROJECT:  
**RE-MODEL O'REILLY AUTO PARTS STORE**

**103 E. GORDON AVE.  
 GORDONVILLE, VA 22942**

**CIVIL DETAILS**



DRAWN: CMH/BTR  
 CHECKED: ARL  
 DATE: 10-17-2018  
 JOB NO.: 118168 (GDV)  
 SHEET:

**C4**  
 SHEET  
 4 OF 5

COPYRIGHT 2018 - DESIGNS, DRAWINGS AND SPECIFICATIONS ARE INSTRUMENTS OF SERVICE AND ARE THE PROPERTY OF THE DESIGN PROFESSIONAL. REPRODUCTION PROHIBITED WITHOUT THE EXPRESS WRITTEN CONSENT OF THE DESIGN PROFESSIONAL.