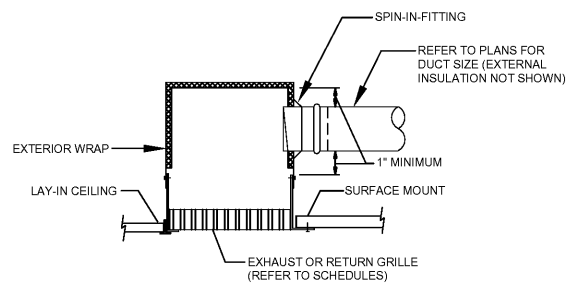
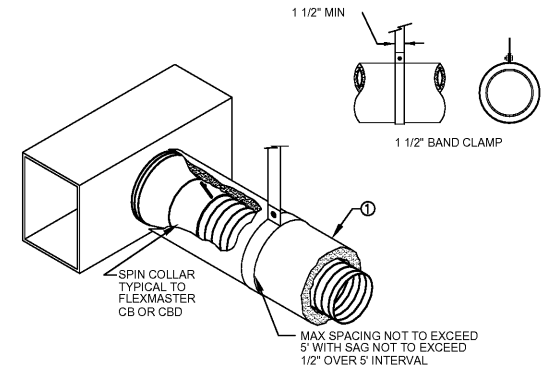


Pascal Aughtry & Associates, PC
 405.463.3494
 Fax: 405.463.3493
 937 East Brison Road
 Oklahoma City, OK 73114
 pascalarch.com



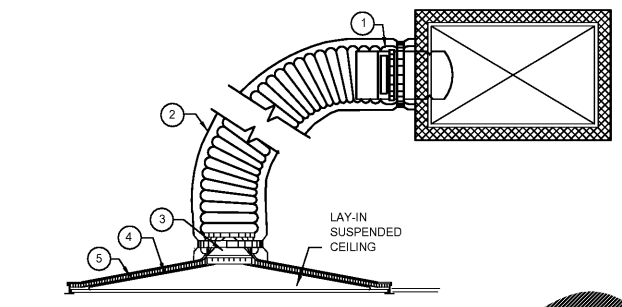
1 TYPICAL DUCTED GRILLE
SCALE: NONE



GAUGE	THK.	1\"/>	
24	.028	840	168
22	.034	1070	216
20	.040	1298	259

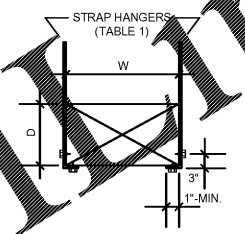
NOTES:
 1. FLEX DUCT WITH EXTERNAL INSULATION AND VAPOR BARRIER JACKETING TYPICAL TO "FABRIFLEX"
 2. ALL FLEX DUCT SHALL CONFORM TO UL STANDARD 181 WITH THE UL LABEL PRINTED ON THE DUCT EVERY 10 FEET.

2 SUGGESTED SUPPORT REQUIREMENTS FOR FLEX DUCT
SCALE: NONE



NOTES:
 1. SPIN COLLAR TYPE CONNECTOR, EXTERNALLY INSULATED, WITH VOLUME DAMPER AND DAMPER LOCK
 2. PRE-INSULATED FLEX DUCT AS REQUIRED, INSTALLED, PERMANENTLY SEALED AND SUPPORTED TO PREVENT KINKING AND SHARP TURNS
 3. ROUND TO SQUARE ADAPTER AS REQUIRED
 4. LAY-IN-TYPE CEILING DIFFUSER WITHOUT VOLUME DAMPER
 5. PROVIDE 1-1/2\"/>

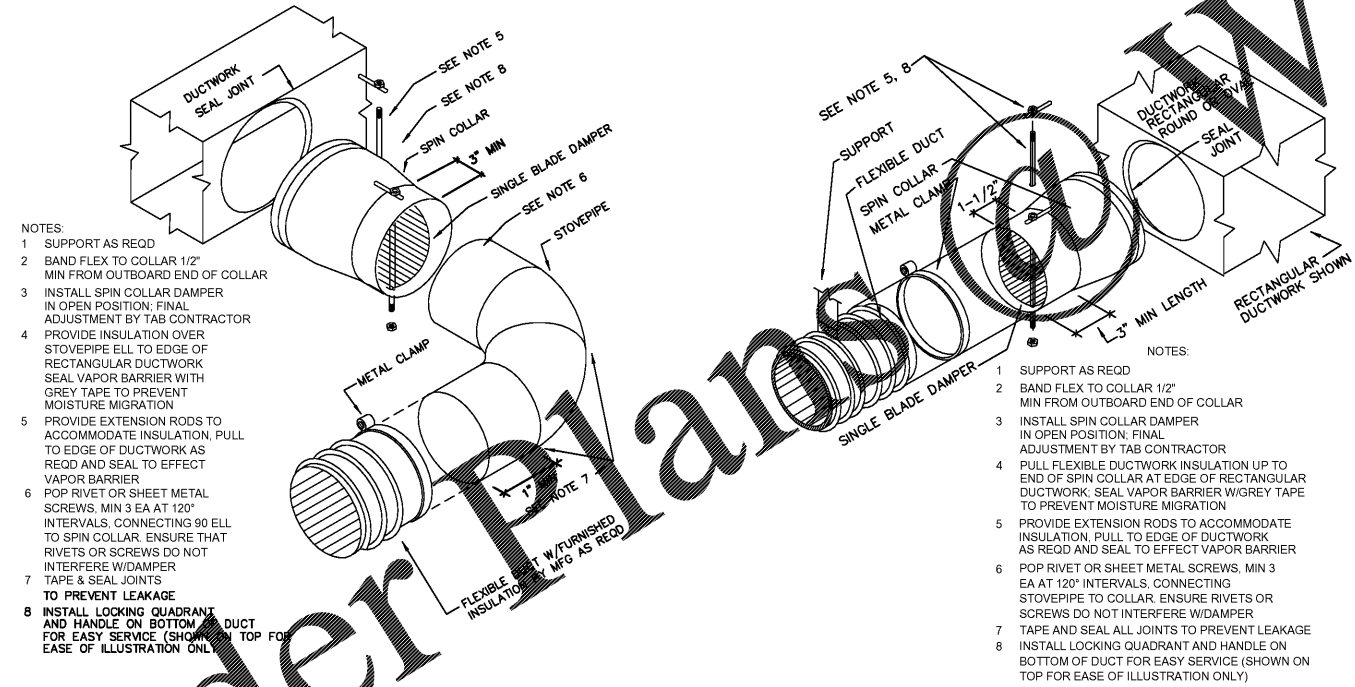
3 TYPICAL FLEXIBLE DUCT DETAIL
SCALE: NONE



MAX	10' - 0\"/>		
72"	1" X 22 GA.	1" X 22 GA.	1" X 22 GA.
96"	1" X 20 GA.	1" X 20 GA.	1" X 22 GA.
120"	1" X 18 GA.	1" X 22 GA.	
168"		1" X 18 GA.	
192"		1" X 16 GA.	
193"	SPECIAL ANALYSIS REQUIRED		

NOTES:
 1. TABULATED DATA FROM SMACNA ALLOWS FOR DUCT REINFORCING AND INSULATION, BUT NO EXTERNAL LOAD
 2. PROVIDE HIGH DENSITY INSERT AT TRAPEZE FOR INSULATED DUCTS.

4 RECTANGULAR DUCT HANGERS
SCALE: NONE

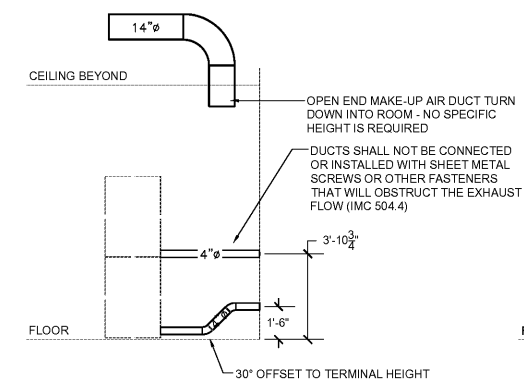


NOTES:
 1. SUPPORT AS REQD
 2. BAND FLEX TO COLLAR 1/2\"/>

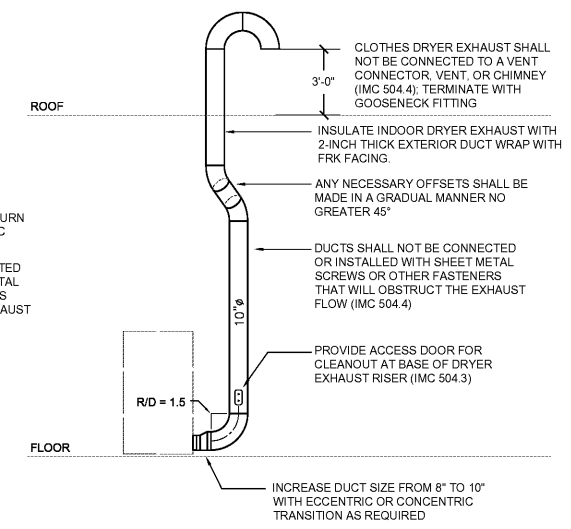
NOTES:
 1. SUPPORT AS REQD
 2. BAND FLEX TO COLLAR 1/2\"/>

5 SPIN COLLAR FLEXIBLE DUCT CONNECTOR WITH DAMPER AND STOVEPIPE ELBOW
SCALE: NONE

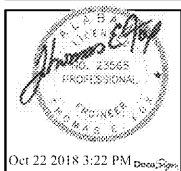
6 SPIN COLLAR FLEXIBLE DUCT CONNECTOR WITH DAMPER
SCALE: NONE



7 DRYER DUCT SCHEMATIC
SCALE: NONE



8 CLOTHES DRYER EXHAUST SCHEMATIC
SCALE: NONE



James C. ...
 PROFESSIONAL ENGINEER
 LICENSE NO. 23565
 STATE OF OKLAHOMA
 Oct 22 2018 3:22 PM
Love's
 Travel Stops
 A NEW TRAVEL STOP
 STORE No. 774
 SMITH STATION, AL

No.	Date

Project No.: LVS-18774
 Date: 10-23-18
 Sheet No.:

M3.1
 OF: