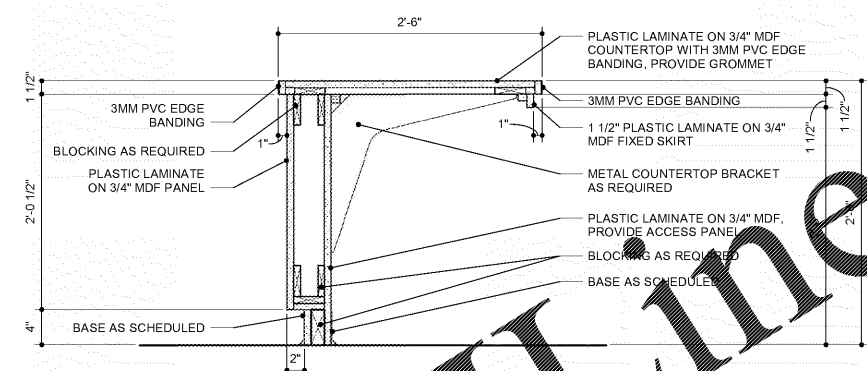


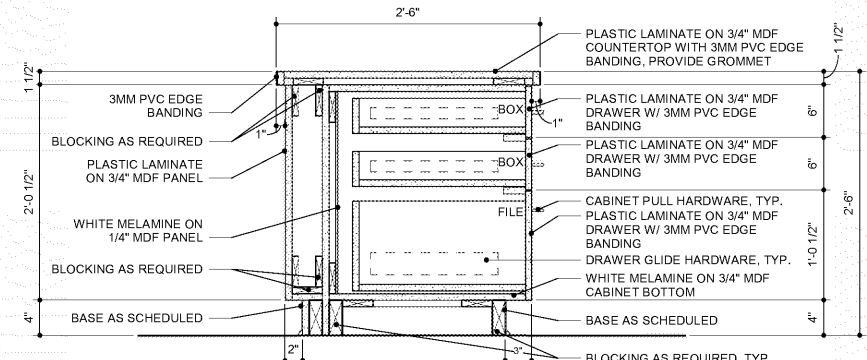
**NOTE:** PLASTIC LAMINATE ON ALL EXPOSED SURFACES. CABINETS TO HAVE 3MM PVC EDGE BANDING ON ALL EDGES. SEE INTERIOR ELEVATIONS FOR PLASTIC LAMINATE FINISH LOCATIONS.

**6 ADMIN - FREESTANDING F/F CABINET SECTION**  
 1 1/2" = 1'-0"



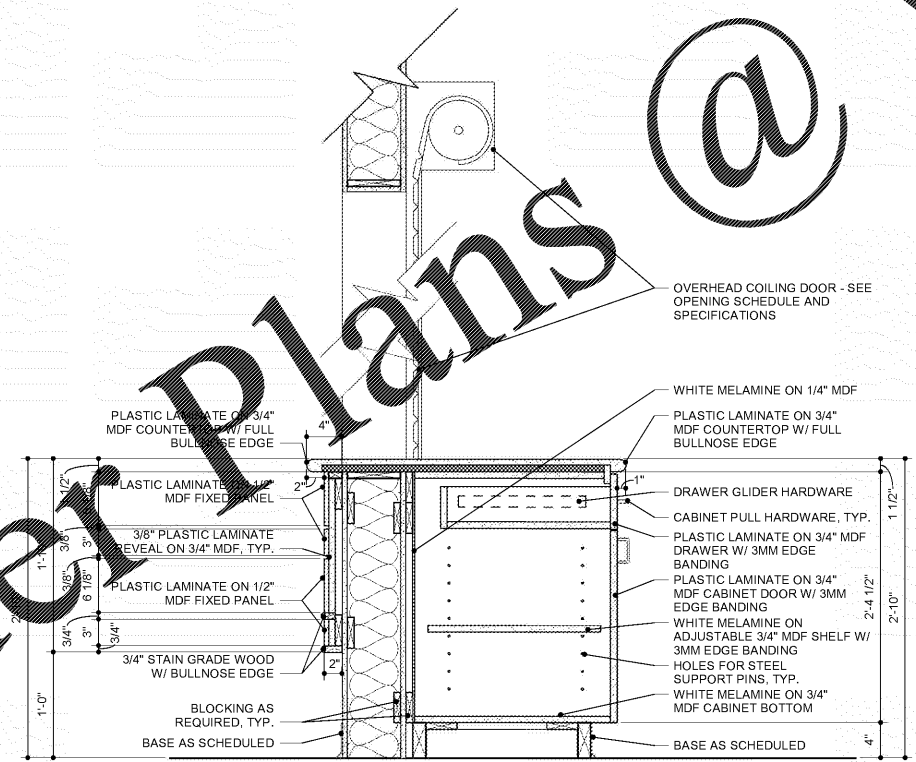
**NOTE:** PLASTIC LAMINATE ON ALL EXPOSED SURFACES. CABINETS TO HAVE 3MM PVC EDGE BANDING ON ALL EDGES. SEE INTERIOR ELEVATIONS FOR PLASTIC LAMINATE FINISH LOCATIONS.

**5 ADMIN - FREESTANDING COUNTERTOP SECTION**  
 1 1/2" = 1'-0"



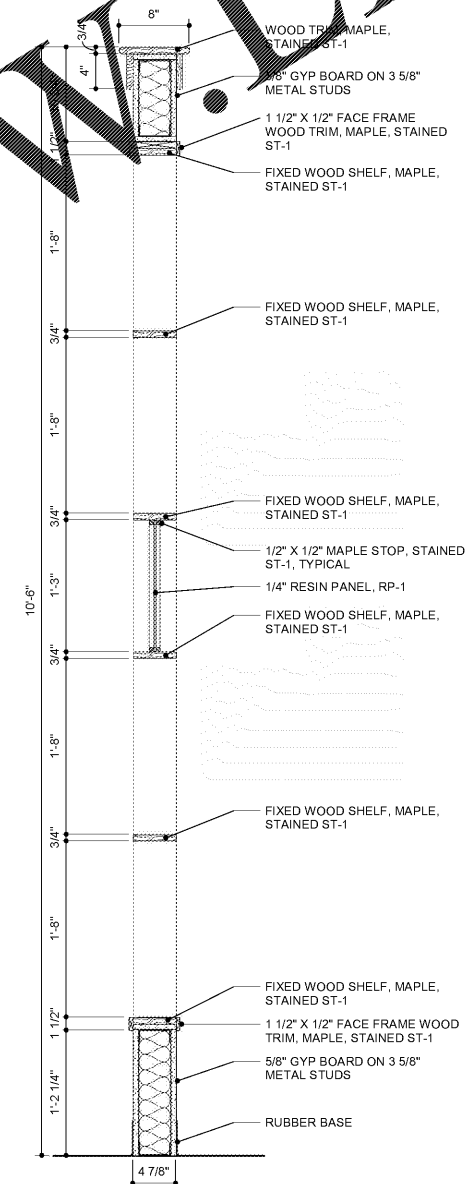
**NOTE:** PLASTIC LAMINATE ON ALL EXPOSED SURFACES. CABINETS TO HAVE 3MM PVC EDGE BANDING ON ALL EDGES. SEE INTERIOR ELEVATIONS FOR PLASTIC LAMINATE FINISH LOCATIONS.

**4 ADMIN - FREESTANDING BENCH CABINET SECTION**  
 1 1/2" = 1'-0"

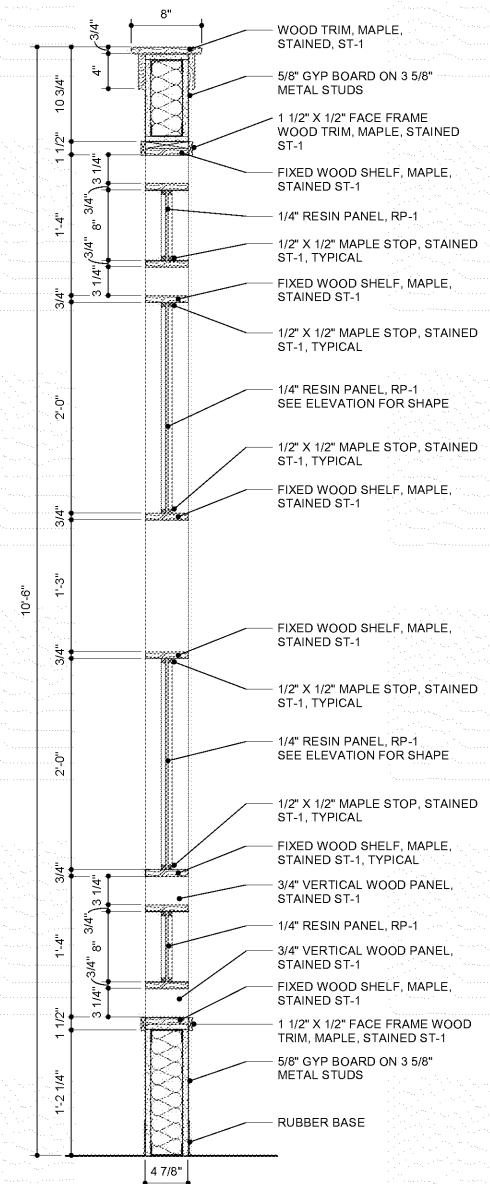


**NOTE:** PLASTIC LAMINATE ON ALL EXPOSED SURFACES. CABINETS TO HAVE 3MM PVC EDGE BANDING ON ALL EDGES. SEE INTERIOR ELEVATIONS FOR PLASTIC LAMINATE FINISH LOCATIONS.

**3 CONCESSION COUNTER SECTION**  
 1 1/2" = 1'-0"



**2 MEDIA CENTER RESIN ACCENT WALL SECTION 2**  
 1 1/2" = 1'-0"



**1 MEDIA CENTER RESIN ACCENT WALL SECTION 1**  
 1 1/2" = 1'-0"

**NORTHPORT SCHOOL**  
**TUSCALOOSA COUNTY BOARD OF EDUCATION**  
**NORTHPORT, ALABAMA**

CONSTRUCTION DOCUMENTS

DATE: 11-16-18  
 PROJ. NO: 17-072

REVISIONS

#	DESC	DATE

INTERIOR SECTIONS

**A434**

Copyright Ward Scott Architecture, Inc. All Rights Reserved  
 11/19/2018 2:06:27 PM  
 C:\Users\cbkerr\Documents\Revit\LOCAL17-072\_Northport Middle School\_A18\_CENTRAL\_cbkerr.rvt

Order Plans @ www.ward-scott.com