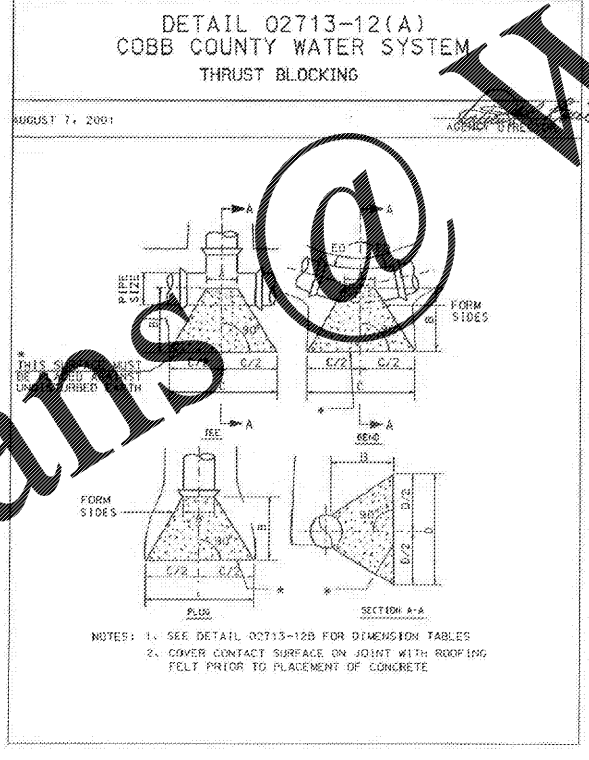
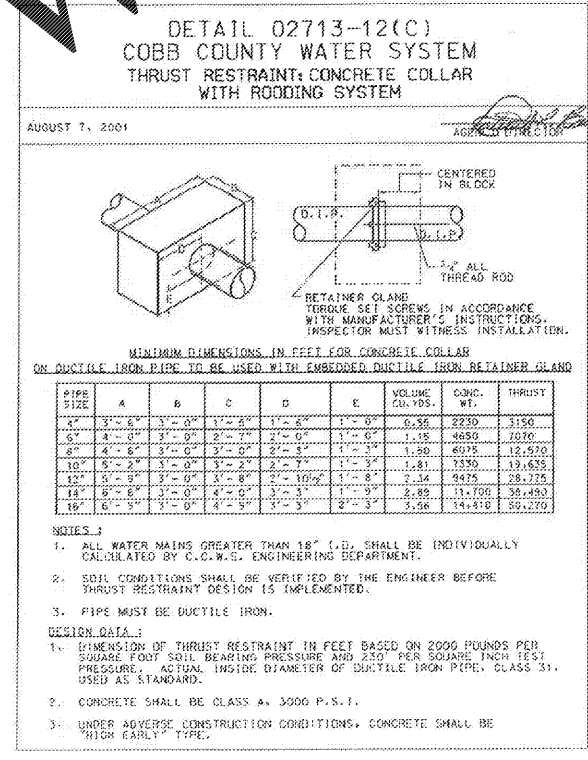
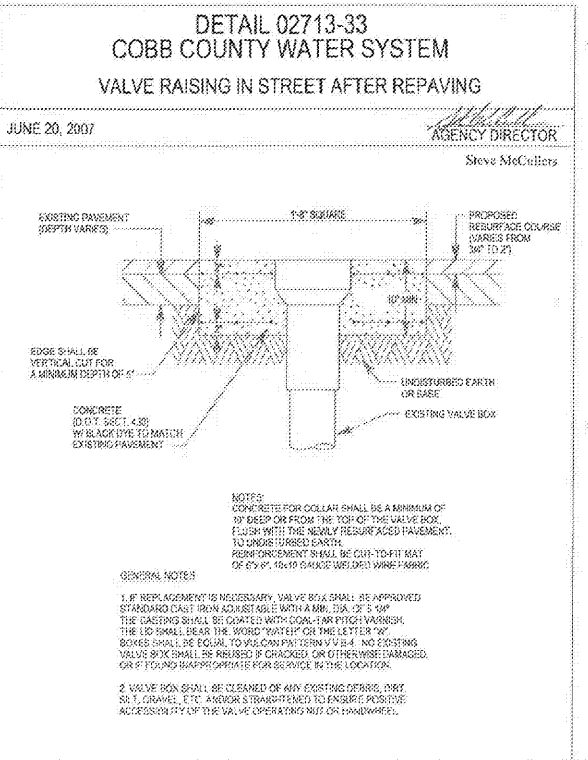
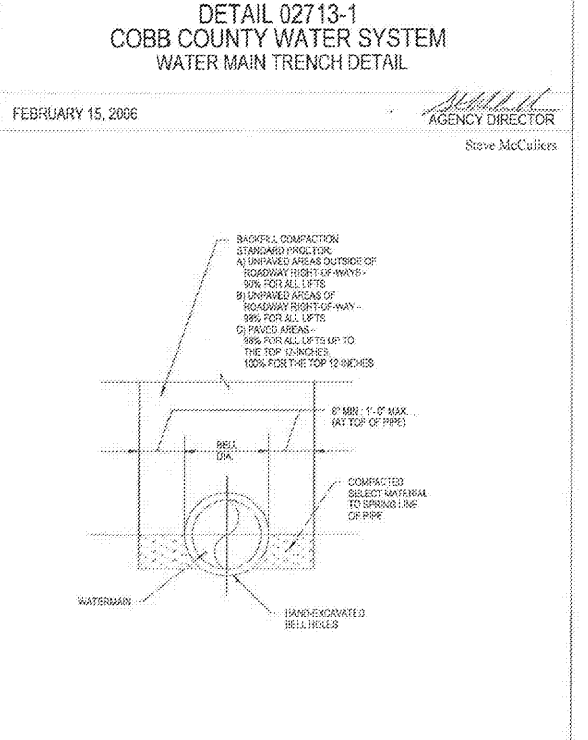
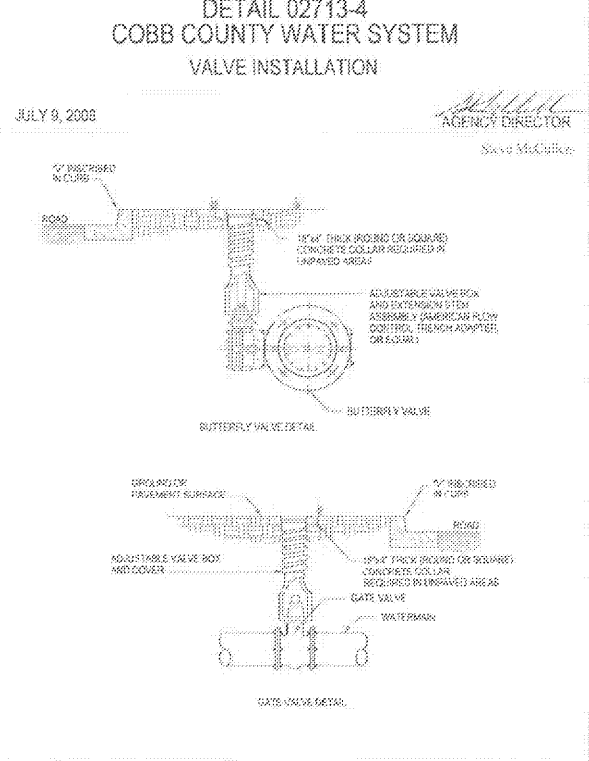
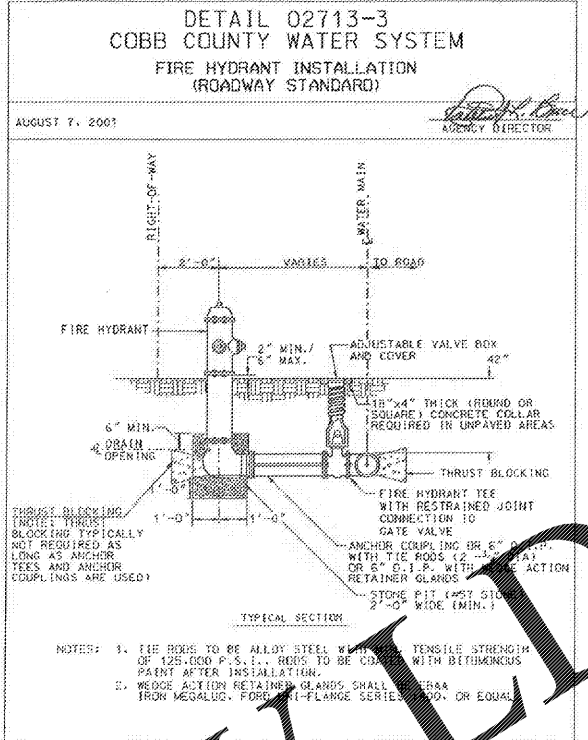
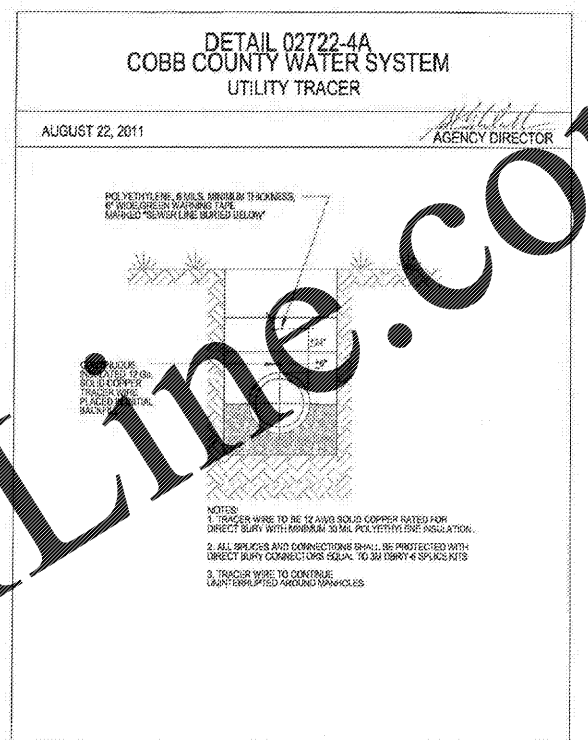


NO.	DATE	DESCRIPTION

DRAWN BY SCA	CHECKED BY RCL
DATE 08/06/2018	
SHEET TITLE CONSTRUCTION DETAILS	
SHEET NUMBER C-7.1	

NOT RELEASED FOR CONSTRUCTION



DETAIL 02713-12(B) COBB COUNTY WATER SYSTEM THRUST BLOCK DIMENSIONS

AUGUST 7, 2001
AGENCY DIRECTOR
Steve McCullers

PIPE DIA.	THRUST	BLOCK	FORM	REBAR	CONC. WT.	THRUST
4"	3150	3'-0"	3'-0"	3'-0"	0.56	3150
6"	7070	3'-0"	3'-0"	3'-0"	1.15	7070
8"	12,970	3'-0"	3'-0"	3'-0"	1.50	12,970
10"	19,635	3'-0"	3'-0"	3'-0"	1.81	19,635
12"	28,125	3'-0"	3'-0"	3'-0"	2.34	28,125
14"	38,493	3'-0"	3'-0"	3'-0"	2.89	38,493
18"	59,270	3'-0"	3'-0"	3'-0"	4.58	59,270

Thrust Block Notes:
1. The dimensions and volume in these tables are based on the following:
a. Water mains less than 18" I.D. shall be individually calculated by C.C.W.-3.
b. Horizontal bearing capacity of soil shall be 2,000 p.s.f.
2. The bearing surface of the thrust block shall be placed against undisturbed soil. If not, the pipe shall be placed against the bearing surface and undisturbed soil shall be placed to at least 55% Modified Proctor compaction.

**CONSTRUCTION
DETAILS**

Order Plans

WWW.LDILine.com