

PRELIMINARY  
 NOT FOR  
 CONSTRUCTION

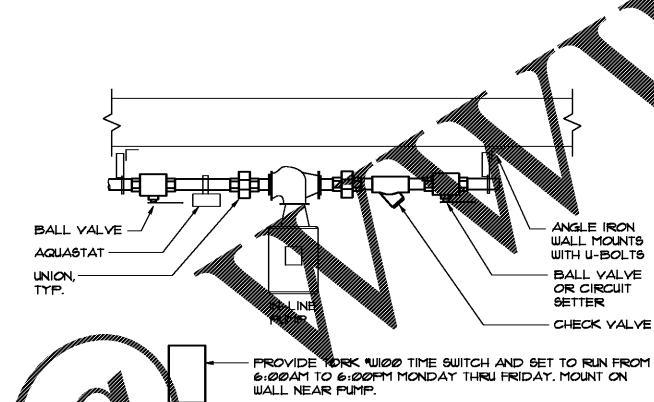
DARREN M. AZDELL, AIA, NCARB  
 FL LIC# AR 94142

These documents may not accurately reflect the final as-built conditions. It is the responsibility of the contractor to verify all layouts, dimensions and other related information. Errors may occur in the transmission of electronic files. OUTSIDE In Architecture LLC, or the Architect is not responsible for any claims, damages or expenses arising out of the unauthorized use of the information contained in these documents. Drawing is NOT FOR CONSTRUCTION. If professional related seal is not affixed, these documents and design remain the sole property of the architect and shall not be separated from the files. Duplicate or copied in whole or part without the written consent of the architect. Copyright © 2018, OUTSIDE In Architecture LLC. All rights reserved.

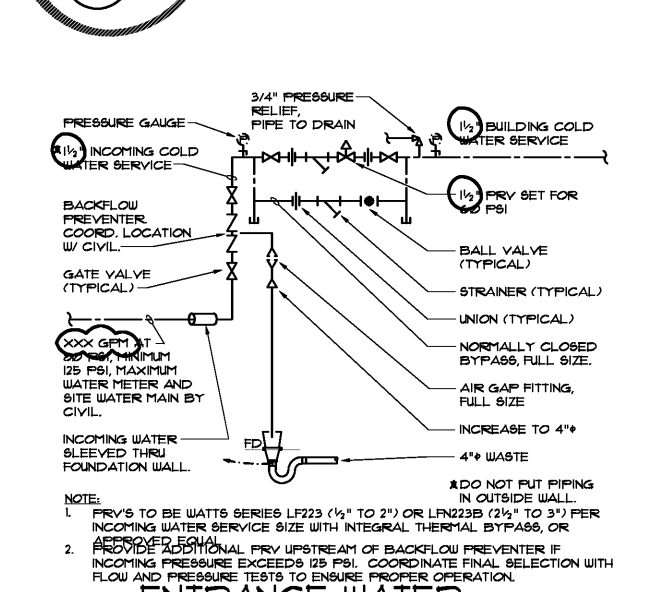
03.26.18 DD SET  
 04.12.18 PRICING SET  
 09.01.18 85% CONSTRUCTION SET

MEMORY CARE COTTAGES OF NAPLES  
 BUILDING "A"  
 WHITAKER ROAD - COLLIER COUNTY, FLORIDA

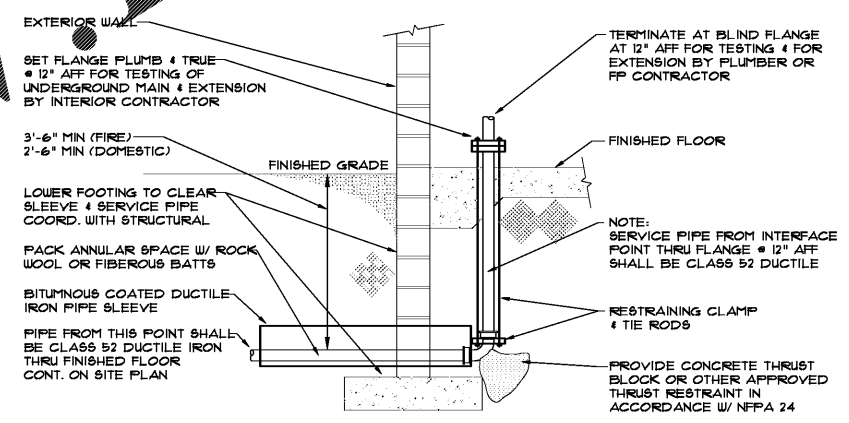
PLUMBING DETAILS  
 SHEET TITLE  
 SHEET NUMBER  
 P6A  
 017.031 04.12.18



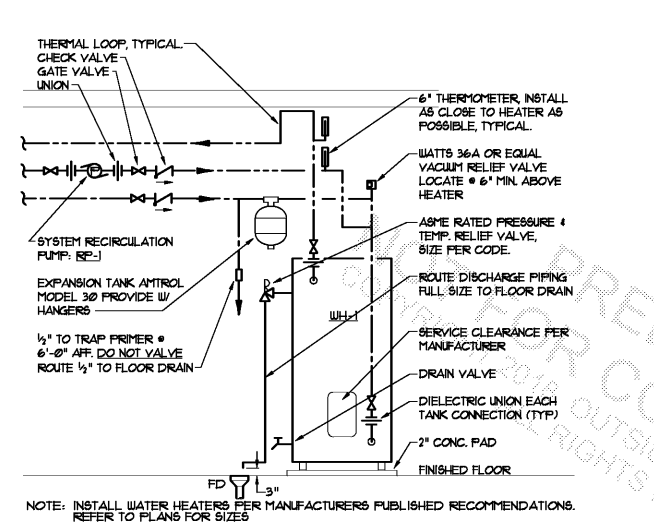
4 HOUR IN-LINE PUMP DETAIL  
 SCALE: NONE



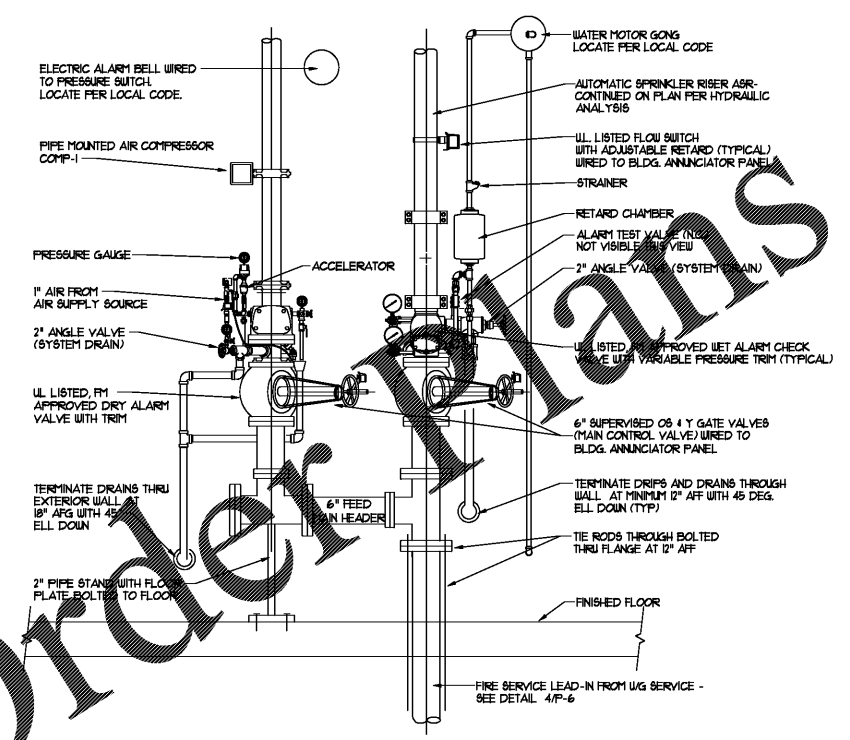
2 ENTRANCE WATER PIPING SCHEMATIC  
 SCALE: NONE



5 TYPICAL WATER SERVICE ENTRANCE  
 SCALE: NOT TO SCALE



3 WATER HEATER DETAIL  
 SCALE: NONE



1 DETAIL - WET & DRY PIPE AUTOMATIC SPRINKLER RISER ASR-  
 SCALE: NONE

Order Plans

WWW.LDILine.com

85% CONSTRUCTION SET 9/1/2018  
**MAY-BLANKENBEKER, INC.**  
 1417 Sadler Rd. Suite 160  
 Fernandina Beach, FL 32034  
 Telephone: 678.373.2277  
 Job #1804  
 All production & intellectual property reserved © 2018 MBI