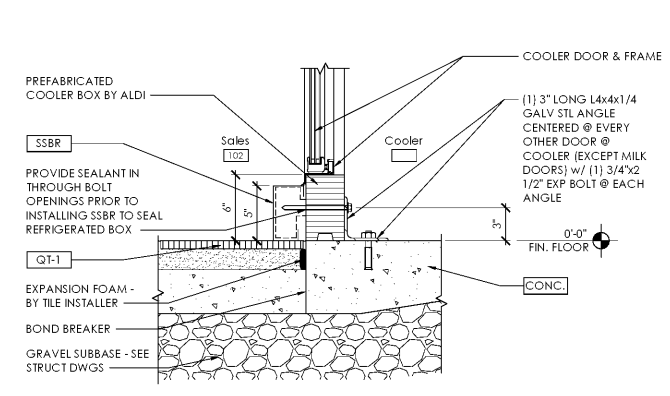
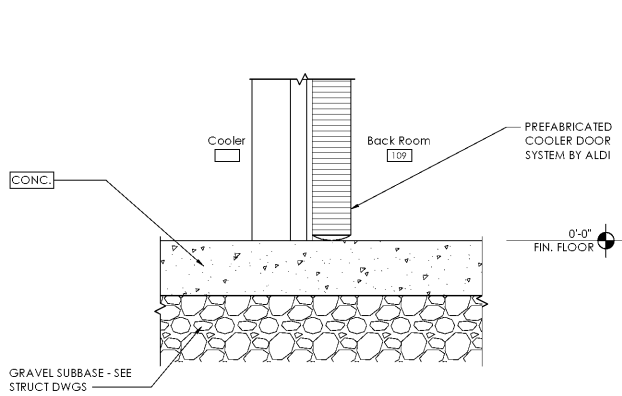


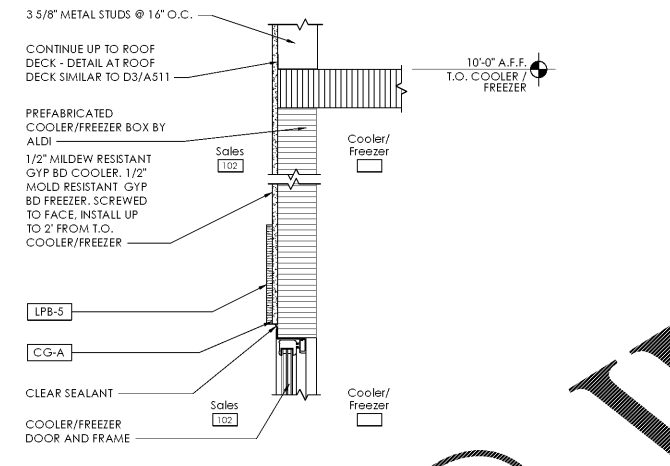
D3 Interior Section Detail - Interior Wall Head at Sales
 SCALE: 1 1/2" = 1'-0"



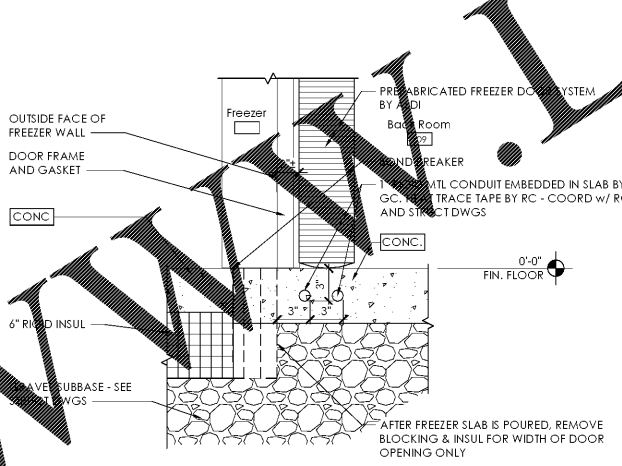
C3 Interior Section Detail - Cooler at General Doors
 SCALE: 1 1/2" = 1'-0"



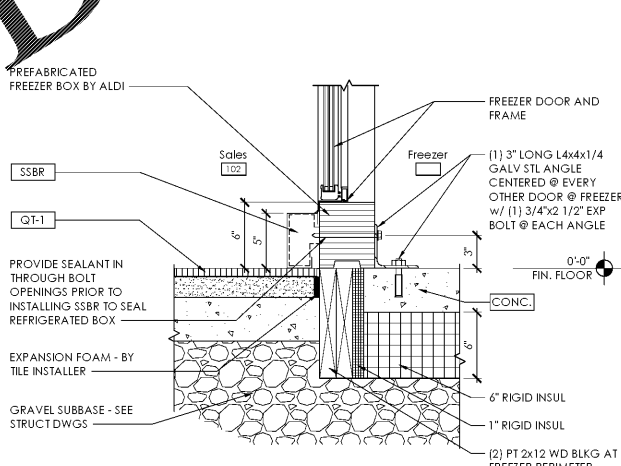
B3 Interior Section Detail - Cooler at Service Door
 SCALE: 1 1/2" = 1'-0"



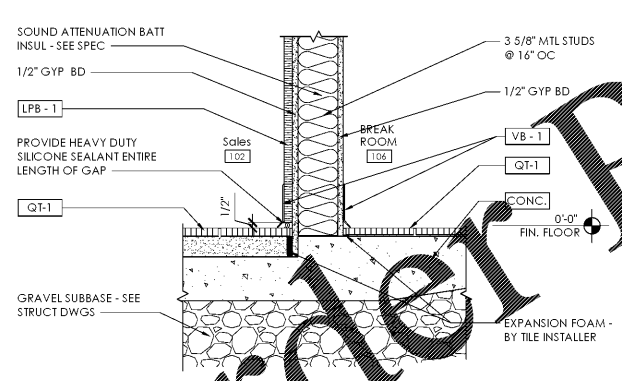
C2 Interior Section Detail - T.O. Cooler/Freezer at Sales
 SCALE: 1 1/2" = 1'-0"



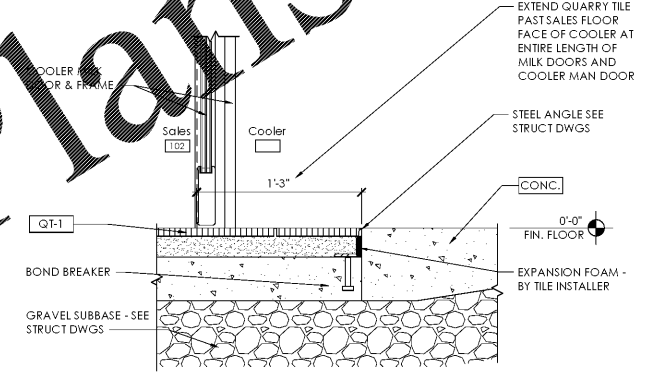
B2 Interior Section Detail - Freezer at Service Door
 SCALE: 1 1/2" = 1'-0"



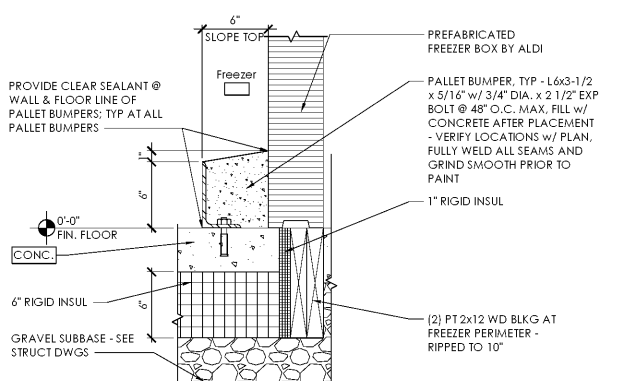
A2 Interior Section Detail - Freezer at General Doors
 SCALE: 1 1/2" = 1'-0"



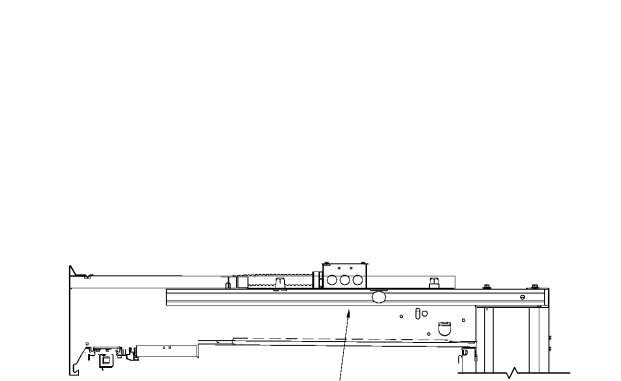
D1 Interior Section Detail - Wall Base at Break Room and Sales
 SCALE: 1 1/2" = 1'-0"



C1 Interior Section Detail - Cooler at Milk Doors
 SCALE: 1 1/2" = 1'-0"



B1 Interior Section Detail - Freezer at Back Room
 SCALE: 1 1/2" = 1'-0"



A1 Interior Section Detail - MDU Valance
 SCALE: 1 1/2" = 1'-0"

Issued:	Date:
A Client Review	11/05/18
B Permit Set	11/19/18
C Bid Set	11/19/18
D	
E	

Revisions:	Date:
1	
2	
3	
4	
5	
6	
7	
8	
9	

DO NOT SCALE PLANS
 Copying, Printing, Software and other processes required to produce these prints can stretch or shrink the actual paper or layout. Therefore, scaling of this drawing may be inaccurate. Contact SGA Design Group, P.C. with any need for additional dimensions or clarifications.
 STIPULATION FOR REUSE
 THIS DRAWING WAS PREPARED FOR USE ON A SPECIFIC SITE AT GADSDEN, AL CONTEMPORANEOUSLY WITH ITS ISSUE DATE ON 11/19/18 AND IT IS NOT SUITABLE FOR USE ON A DIFFERENT PROJECT SITE OR AT A LATER TIME. USE OF THIS DRAWING FOR REFERENCE OR EXAMPLE ON ANOTHER PROJECT REQUIRES THE SERVICES OF PROPERLY LICENSED ARCHITECTS AND ENGINEERS. REPRODUCTION OF THIS DRAWING FOR REUSE ON ANOTHER PROJECT IS NOT AUTHORIZED AND IS CONTRARY TO THE LAW.
 © SGA DESIGN GROUP, P.C.

SGA Design Group, p.c.
 1437 South Boulder, Suite 550
 Tulsa, Oklahoma 74119.3609
 p: 918.587.8600
 f: 918.587.8601
 www.sgadesigngroup.com

DRAWN BY: SK
 REVIEWED BY: PM



ALDI Inc. Store #: 95
 Gadsden
 200 N Hood Ave.
 Gadsden, AL
 Etowah County
 Project Name & Location:

Interior Details - Section Drawing Name:	
Date: 11/19/18	Project No. 1713349
v1.07	
Type: 93x156 SW	
Drawn By: XXX	A-511
Scale: As Noted	Drawing No.

Order Plans @ WWW.LDILine.com

D

C

B

A

1

2