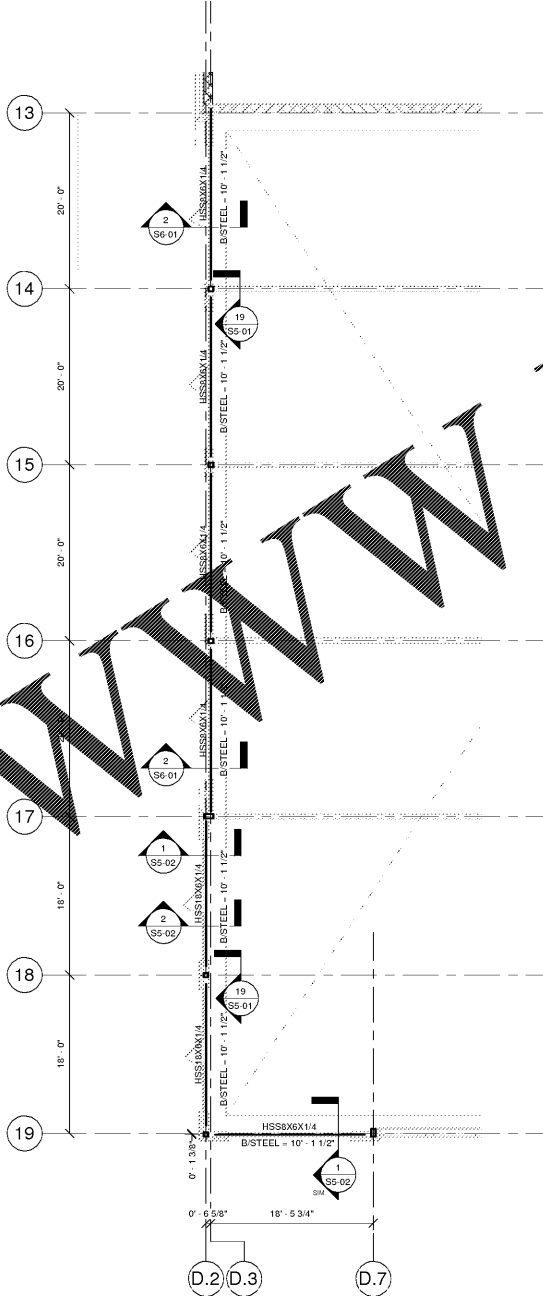
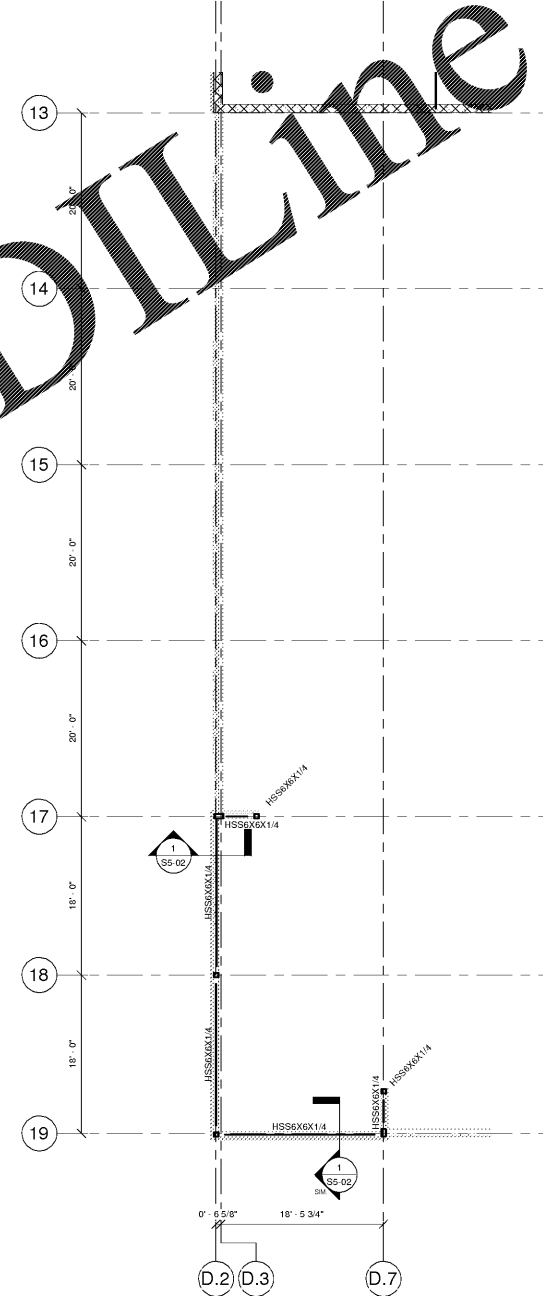


Order Plans @



1 BUILDING 400 - STOREFRONT FRAMING PLAN  
S2-04 SCALE: 1/8" = 1'-0"



2 BUILDING 400 - PARAPET FRAMING PLAN  
S2-04 SCALE: 1/8" = 1'-0"

STOREFRONT/PARAPET STEEL FRAMING NOTES

1. SEE GENERAL NOTES FOR ADDITIONAL STEEL FRAMING INFORMATION
2. ALL STOREFRONT B-STEEL ELEVATIONS ARE 10' - 1 1/2" AFF
3. ALL PARAPET T-STEEL ELEVATIONS ARE 25' - 6" AFF
4. BEAM CONNECTIONS SHALL BE DESIGNED AS NOTED IN GENERAL NOTES ON SHEET S0-01.
5. ALL EXTERIOR METAL STUDS AND ASSOCIATED CONNECTIONS SHALL BE DESIGNED BY THE COLD FORMED METAL FRAMING CONTRACTOR. SEE THE GENERAL NOTES FOR ADDITIONAL INFORMATION. SEE ARCH DRAWINGS FOR STUD SIZES NOT SHOWN.

**DYNAMIK** DESIGN  
5801 PEACHTREE DUNWOODY RD.  
BUILDING C, SUITE 520  
ALPHARETTA, GA 30218  
TELEPHONE: 678-508-8830  
DYNAMIKDESIGN.COM



CONSULTANT:



SEAL:

PROJECT NUMBER: 201531

SUMMERFIELD CROSSING NORTH

CLIENT:  
LEON Capital Group  
3500 MAPLE AVENUE  
SUITE 1600  
DALLAS, TEXAS 75219

NO.	DRAWING RELEASE	DATE
	PRICING SET	11/14/2018

TITLE:  
STOREFRONT/  
PARAPET FRAMING  
PLAN - 400

SHEET NUMBER:

S2-04