

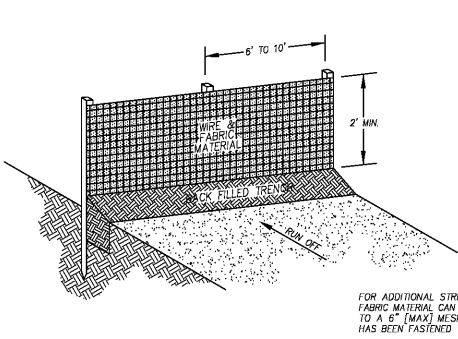
SIDE VIEW

NOTES:

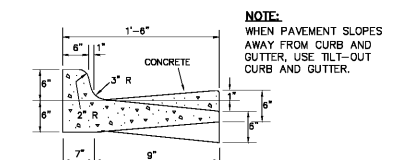
1. THE FILL SHALL BE PLACED AND FINISHED AND ALL SHORING REMOVED BEFORE ANY CONCRETE SHALL BE PLACED ON SLOPES.
2. 8" THICK END WALL SHALL BE PERPENDICULAR TO FLOW LINE. WARP AND DRESS ADJACENT FILL TO FIT SKEWED CONDITIONS.
3. EXPOSED CORNERS OF CONCRETE SHALL BE CAMBERED 3/4".

SLOPE PAVED HEADWALL

NO SCALE

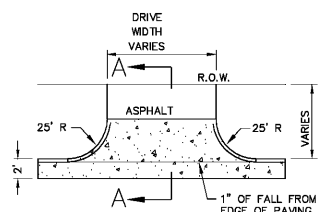


SILT FENCE INSTALLATION  
CLASS A FILTER FABRIC

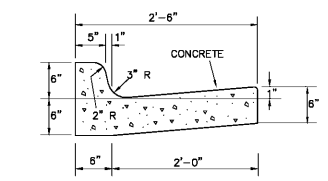


STANDARD 1'-6"  
CURB AND GUTTER

NO SCALE

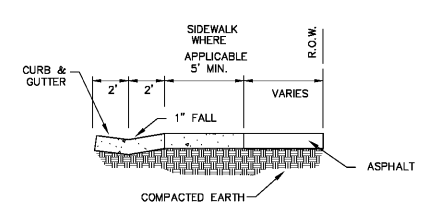


PLAN VIEW



ALDOT 30" TYPE "C"  
CURB AND GUTTER

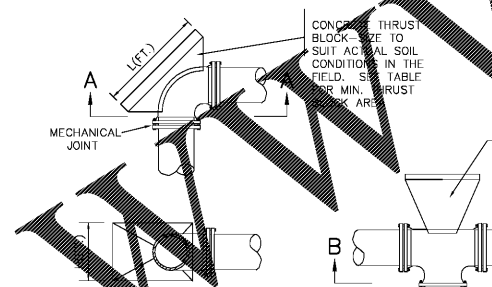
NO SCALE



SECTION A-A

CONCRETE TURNOUT

NO SCALE

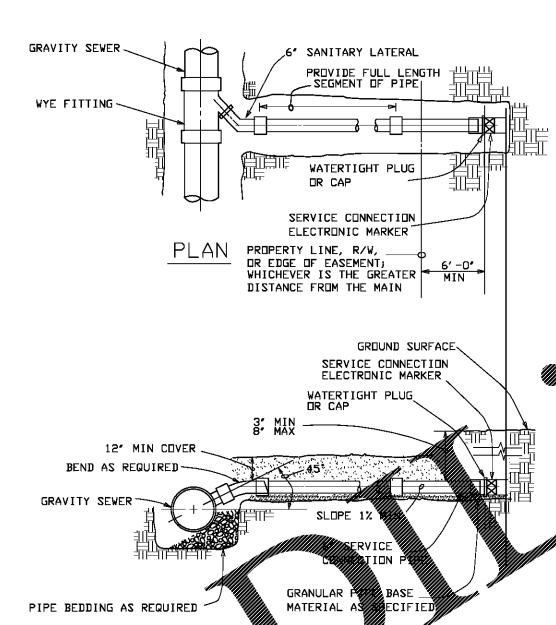


SECTION A-A  
TYPICAL THRUST BLOCK FOR BENDS

DIAMETER PIPE LINE IN INCHES	MINIMUM THRUST BLOCK AREA SQ. FT. (L(FT.) X H(FT.))		
	90° BENDS	TEES, DEAD ENDS, OR 45° BENDS	22 1/2° BENDS
UP TO 6"	3.0	2.2	1.0
8"	5.5	4.0	1.5
10"	8.5	6.0	2.5
12"	12	9.0	3.5
	22	12	6.0

THRUST BLOCK

NO SCALE

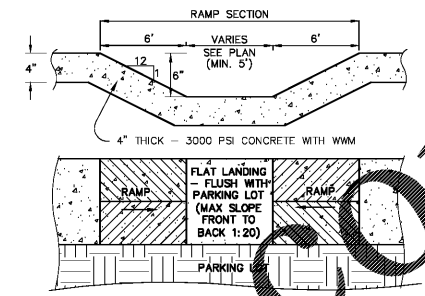


PLAN

PROFILE

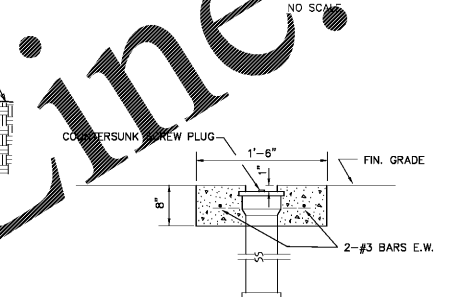
STANDARD SANITARY LATERAL

NO SCALE



HANDICAP RAMP

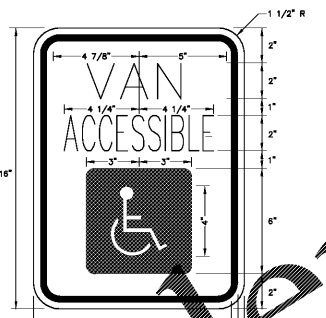
NO SCALE



SANITARY CLEAN-OUT

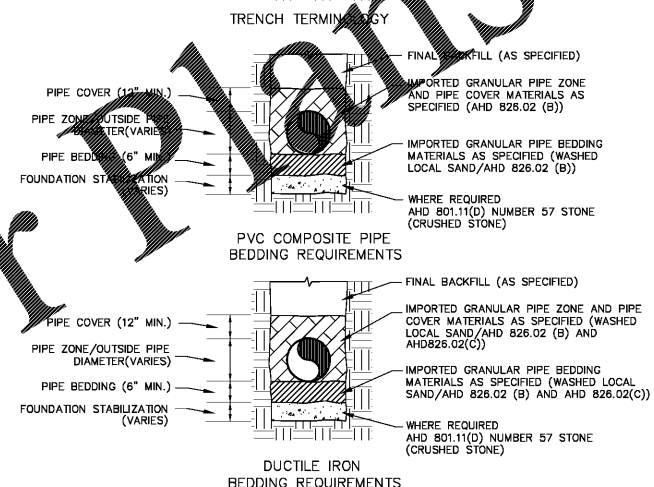
NO SCALE

NOTE:  
CLEAN-OUT SHALL BE SAME SIZE AS LINE



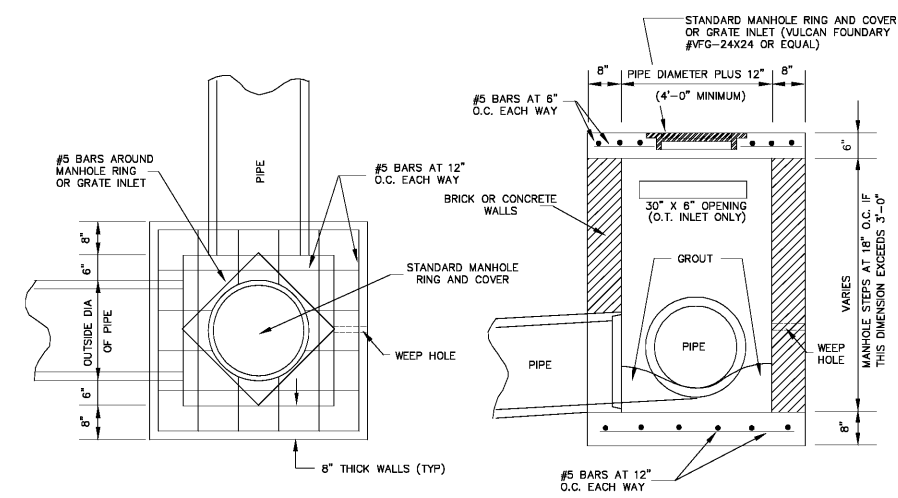
HANDICAP PARKING SIGN

NO SCALE



PIPE BEDDING REQUIREMENTS

NO SCALE



O.T. INLET / GRATE INLET / JUNCTION BOX

NO SCALE

NOTE:  
SIZE OF BOX SHALL BE 4' X 4' OR SPECIFIED GRATE SIZE PLUS 12" WHICHEVER IS LARGER

**FLOWERS WHITE**  
ENGINEERING, L.L.C.  
PO BOX 231266 MONTGOMERY, AL 36123  
PH. 334.356.7607 - FAX: 334.356.1231



PROPOSED BK & POPEYES FOR  
**PREMIER KINGS COMPANIES**  
SHORTER, ALABAMA

9/25/2018

These documents and their reproductions are the property of Flowers & White Engineering, L.L.C. Reproduction of these documents is strictly prohibited, without the express written consent.  
Copyright 2018 - Flowers & White Engineering, L.L.C.

PROJ. # 18-520  
DRAWN BY: KJ  
CHECKED BY: KJ  
DATE: 8-5-18  
REV. 1: ---  
REV. 2: ---  
REV. 3: ---

SHEET TITLE:  
**DETAILS**

SHEET NUMBER:  
**8.0**

SHEET 8 OF 9

PRELIMINARY - NOT FOR CONSTRUCTION