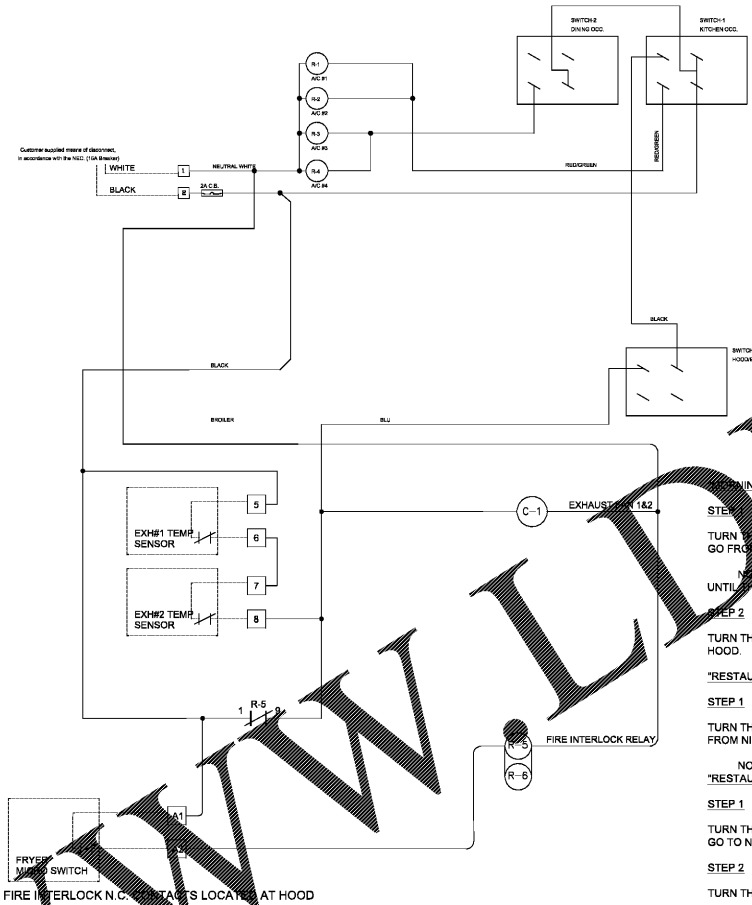


ON-OFF CONTROL PANEL WIRING



N-C-A
CONSULTANTS/GROUP
NATIONAL CORPORATE ACCOUNT SERVICES, INC.

DRAWINGS SHOWN ARE FOR PROTOTYPICAL CONSIDERATIONS ONLY. SITE-SPECIFIC DESIGN IS REQUIRED BY POPEYES LOUISIANA KITCHEN. AS A COURTESY, NCA CONSULTANTS PROVIDES SITE-SPECIFIC DESIGN WITH SITE-SPECIFIC PROFESSIONAL ENGINEER SEAL UNDER AN AGREEMENT BETWEEN NCA CONSULTANTS AND POPEYES LOUISIANA KITCHEN.

FOR SITE-SPECIFIC DESIGN, ARCHITECTS EMAIL REFLECTED CEILING PLAN, ELEVATIONS, KITCHEN FLOOR PLAN, AND ROOF STRUCTURAL PLAN TO DESIGN@NCACONSULTANTS.COM

TO CONTACT THE DESIGN DEPARTMENT BY PHONE CALL TOLL-FREE (877) 530-0078.

DESCRIPTION
NO PROTOTYPE USE ONLY
REVISED
DATE

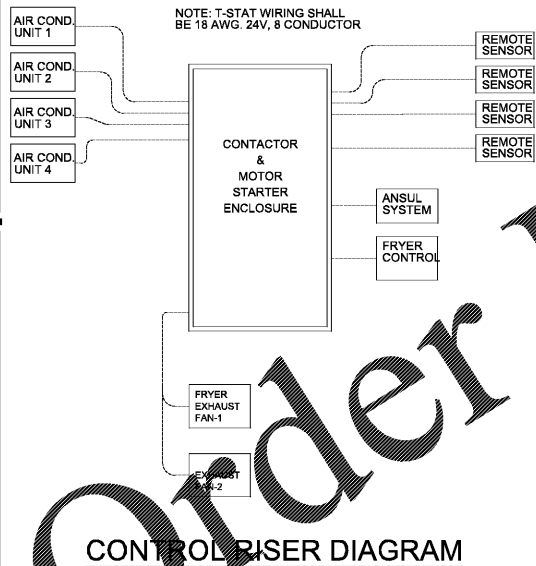
NOT FOR CONSTRUCTION

POPEYES
400 PERIMETER CENTER TERRACE
SUITE 1000
ATLANTA, GA 30348
404-439-4100

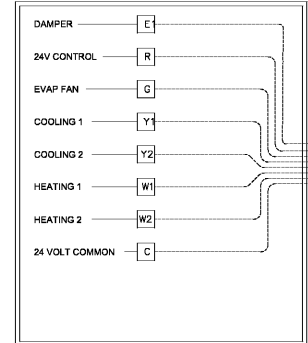
henderson huckestein architects, pc
architecture · planning · interior design
2126 Morris Avenue Birmingham, AL 35203
Phone (205) 322-1751
Fax (205) 322-1778
email info@hhplusha.com
www.hhplusha.com
DRAWN BY: DB
CHECKED BY: MRW, BH
DATE: 09.27.2018
H-HA PROJECT #: 18064.14

PANEL LAYOUT

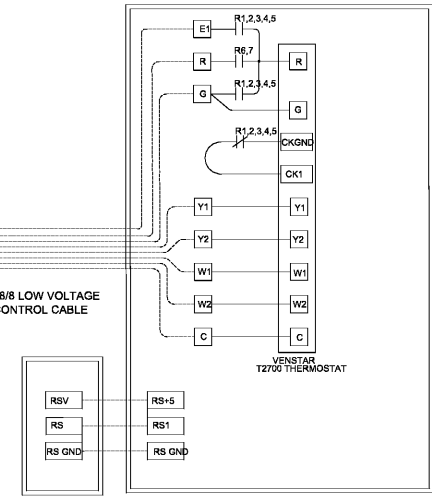
PANEL SCHEMATIC DIAGRAMS



RTU AIR/COND.



ON - OFF PANEL



LOW VOLTAGE CONTROL WIRING
ONE AIR CONDITIONING SYSTEM SHOWN

ELECTRICAL CONTRACTOR NOTES:

1. RUN ONE (10) CONDUCTOR 18 GAUGE THERMOSTAT CABLE FROM EACH ROOFTOP AIR CONDITIONING UNIT TO THE CONTROL PANEL.
2. RUN ONE (3) CONDUCTOR 18 GAUGE THERMOSTAT CABLE FROM THE CONTROL PANEL TO EACH REMOTE SENSOR LOCATION.
3. RUN ONE (10) CONDUCTOR 18 GAUGE THERMOSTAT CABLE FROM EACH SMOKE DETECTOR TO THE ATTENDANT AUDIO-VISUAL ANNUNCIATOR.
4. TERMINATION OF ALL 24 VOLT AIR CONDITIONING CONTROL WIRING SHALL BE DONE BY THE MECHANICAL CONTRACTOR.

© Copyright 2011- Drawings, specifications, notes, database, computer files, field data, and reports as instruments of service prepared by the Design of Record. As instruments of services, these items remain the property of the Design of Record, who shall retain all statutory and other reserved rights, including the copyright thereto. Any use, reproduction or changes to these documents without written consent of NCA Consultants is a violation of federal copyright laws.



PREMIER CAJUN KINGS, LLC - POPEYES
Near 431 Main St,
Shorter, AL 36075
LOUISIANA KITCHEN PLK DESIGN STANDARDS
PLK11846-DL PROTOTYPE: 46 SEATS / DUAL-LINE PRODUCTION



POPEYES

PERMIT/BID SET 09.27.18

CONTROL SYSTEM

E2a

DATE: 9.27.18

CHECKED: MEH