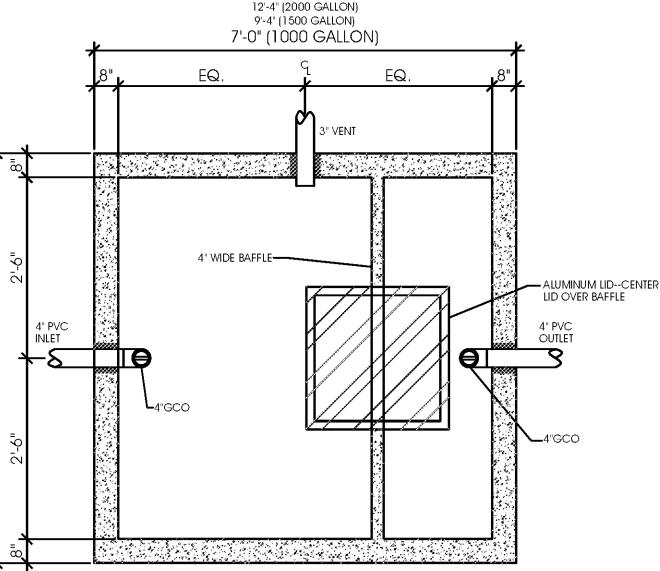


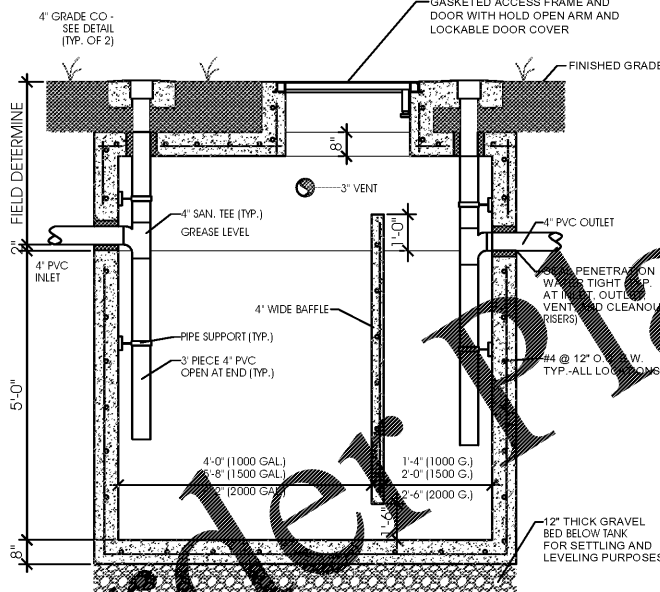
**DETAIL NOTES:**

1. SURFACE MOUNTED THERMOSTATIC MIXING VALVE ASSEMBLY TO BE SYMONS SERIES 5 OR APPROVED EQUAL. 15 PSI MAXIMUM PRESSURE DROP. COORDINATE FINAL SELECTION WITH FLOW AND PRESSURE TESTS TO ENSURE PROPER OPERATION.
2. SEE PLANS FOR HW SIZES FROM WATER HEATER SYSTEM TO MIXING VALVE ASSEMBLY. REDUCE AT ASSEMBLY AS REQUIRED.
3. INSTALL PER MANUFACTURER'S PUBLISHED RECOMMENDATIONS.

**14 THERMOSTATIC MIXING VALVE**  
P4 NTS



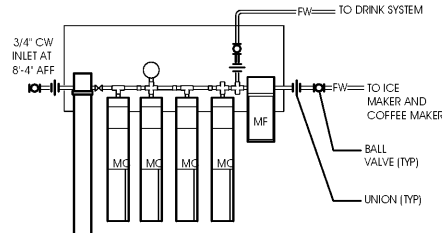
**PLAN VIEW**



**SECTION VIEW**

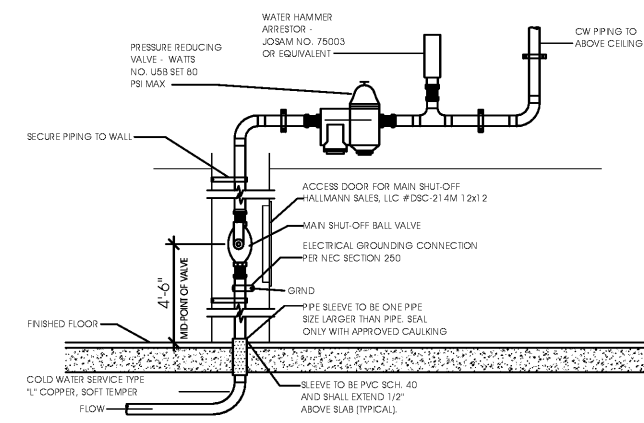
**13 GREASE TRAP DETAIL**  
P4 NTS

1000, 1500 AND 2000 GALLON DIMENSIONS SHOWN LOCAL JURISDICTION SHALL DETERMINE SIZE.

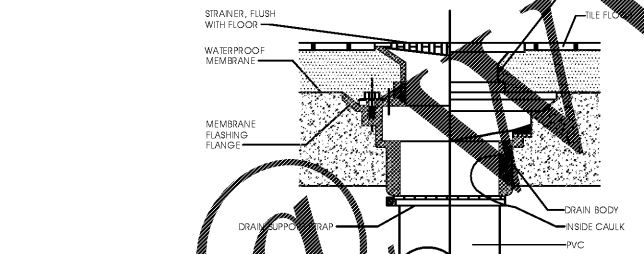


**12 WATER FILTER/SCHEMATIC HOOK - UP**  
P4 NTS

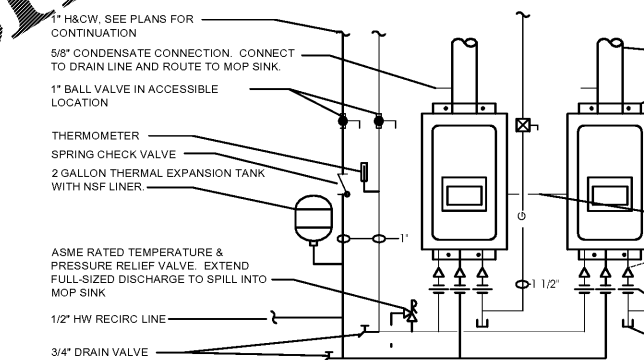
**11 NOT USED**  
P4 NTS



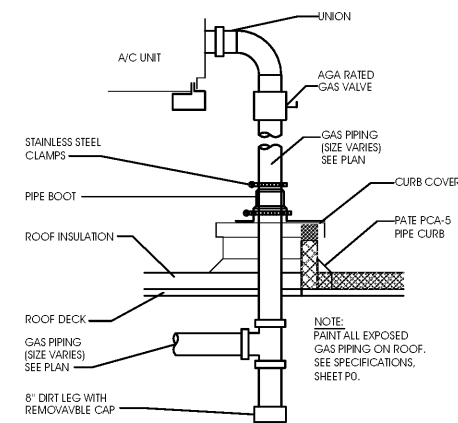
**10 COLD WATER SERVICE ENTRANCE**  
P4 NTS



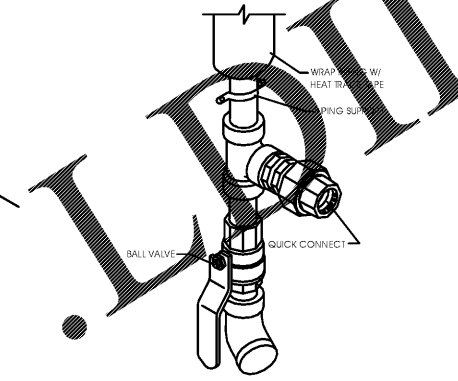
**FLOOR DRAIN**  
P4 NTS



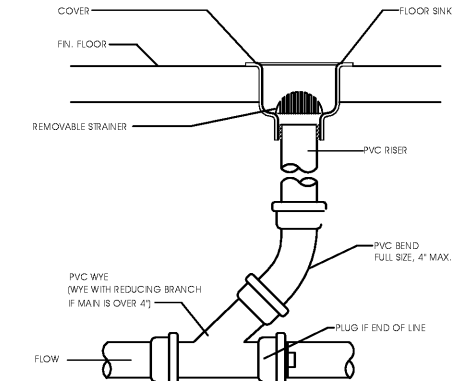
**9 DUAL INSTANTANEOUS GAS WATER HEATER**  
P4 NTS



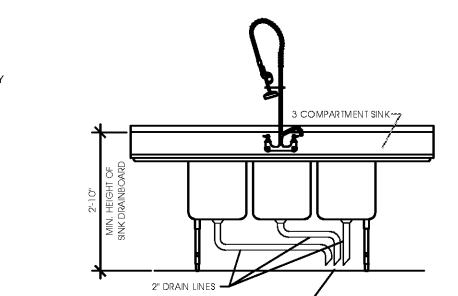
**8 GAS @ A/C UNIT**  
P4 NTS



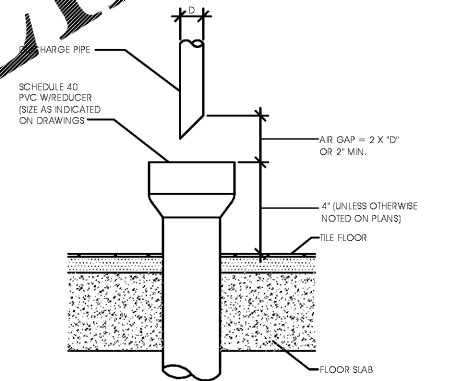
**7 GREASE RECOVERY CONNECTION**  
P4 NTS



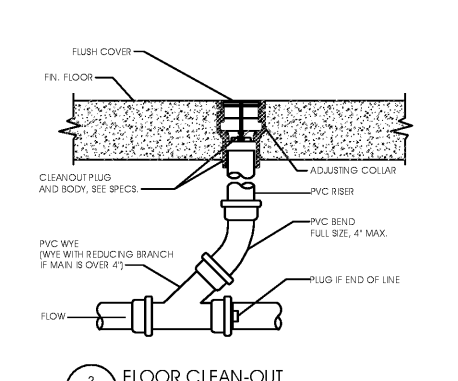
**6 FLOOR SINK**  
P4 NTS



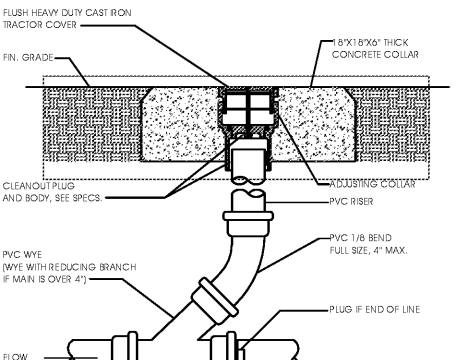
**5 3 COMPARTMENT SINK**  
P4 NTS



**3 HUB DRAIN**  
P4 NTS



**2 FLOOR CLEAN-OUT**  
P4 NTS



**1 GRADE CLEAN-OUT**  
P4 NTS