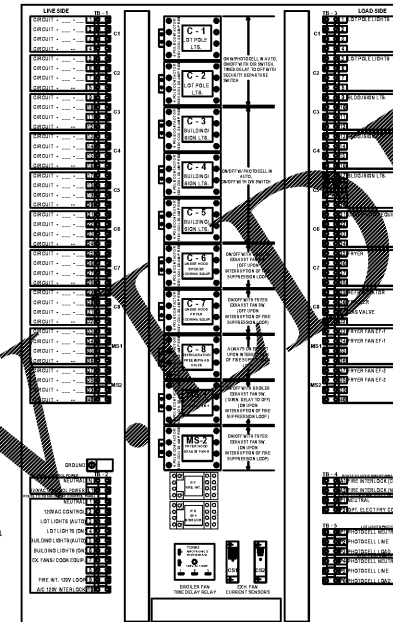
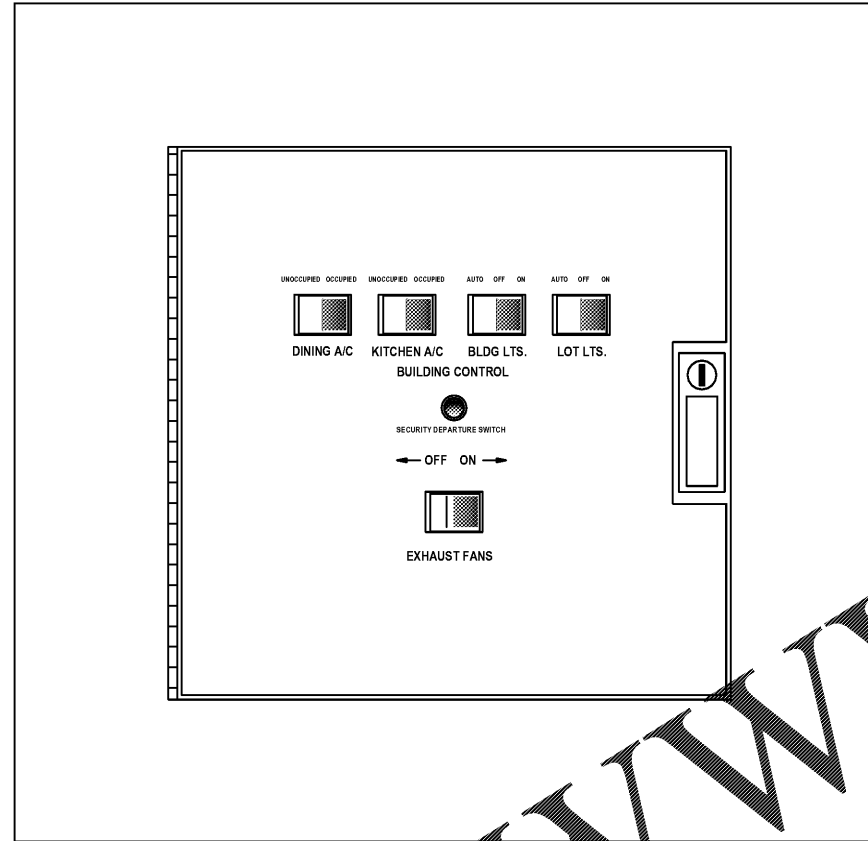


ELECTRICAL CONTRACTOR NOTES:

- RUN ONE (10) CONDUCTOR 18 GAUGE THERMOSTAT CABLE FROM THE ROOFTOP AIR CONDITIONING UNIT TO THE UNOCCUPIED-OCCUPIED PANEL.
- RUN ONE (10) CONDUCTOR 18 GAUGE THERMOSTAT CABLE FROM THE UNOCCUPIED-OCCUPIED PANEL TO THE THERMOSTAT LOCATION.
- RUN ONE (10) CONDUCTOR 18 GAUGE THERMOSTAT CABLE FROM THE ROOFTOP AIR CONDITIONING UNIT TO THE NIGHT SETBACK THERMOSTAT LOCATION, IF NOT CONTROLLED WITH P-374-2700 T-STAT REFER TO SHEET M-1.
- TERMINATION OF ALL 24 VOLT AIR CONDITIONING CONTROL WIRING SHALL BE DONE BY THE MECHANICAL CONTRACTOR.
- ELECTRICAL CONTRACTOR SHALL RUN LINE VOLTAGE FROM THE CURRENT SENSOR LOCATED IN THE BROILER HOOD EXHAUST FAN TO THE CONTRACTOR PANEL LOCATED BY THE SWITCHGEAR.



"MORNING ARRIVAL"

STEP 1
TURN THE KITCHEN UNOCCUPIED-OCCUPIED SWITCH TO THE OCCUPIED POSITION. THE KITCHENS AIR CONDITIONING SYSTEM WILL GO FROM NIGHT SETBACK MODE TO THE THERMOSTAT SET POINT.
NOTE: THE AIR CONDITIONING FAN WILL START AND RUN CONTINUOUSLY. EXHAUST FAN WILL NOT RUN UNTIL THIS SWITCH IS IN THE OCCUPIED POSITION.

STEP 2
TURN ON THE EXHAUST FAN SWITCH TO THE ON POSITION THIS WILL ALLOW YOU TO TURN ON THE FRYERS.

"RESTAURANT OPEN FOR BUSINESS"

STEP 1
TURN THE DINING UNOCCUPIED-OCCUPIED SWITCH TO THE OCCUPIED POSITION. THE DINING AIR CONDITIONING SYSTEM WILL GO FROM NIGHT SETBACK MODE TO THE THERMOSTAT SET POINT.

STEP 2
TURN THE SIGN AND PARKING LOT LIGHTING SWITCHES TO THE AUTO POSITION, THIS WILL ENGAGE THE LIGHTING PHOTOCELLS SO THAT THE LIGHTS WILL AUTOMATICALLY COME ON AFTER DARK. TURN THE SWITCH TO THE ON POSITION TO OVER RIDE THE PHOTOCELLS AT ANY TIME THE LIGHTING MUST REMAIN ON.

"RESTAURANT CLOSED FOR BUSINESS"

STEP 1
TURN THE DINING UNOCCUPIED-OCCUPIED SWITCH TO THE UNOCCUPIED POSITION. THE DINING AIR CONDITIONING SYSTEM WILL GO FROM THE THERMOSTAT SET POINT TO THE NIGHT SET BACK MODE.

STEP 2
TURN THE SIGN AND PARKING LOT LIGHTING SWITCHES TO THE OFF POSITION, THIS WILL DISENGAGE THE LIGHTING PHOTOCELLS.

STEP 3
TURN THE EXHAUST FAN SWITCH TO THE OFF POSITION. THE UNDER HOOD COOKING EQUIPMENT WILL TURN AND THE EXHAUST FAN WILL CONTINUE TO RUN FOR 15 MINUTES FOR A COOL DOWN CYCLE, AND THEN SHUT OFF AUTOMATICALLY.
NOTE: TO PREVENT ACCIDENTAL ANSUL DISCHARGE, ONE OF THE HOOD EXHAUST FAN WILL RUN 15 MINUTES AFTER THE EXHAUST FAN SWITCH IS TURNED TO THE OFF POSITION.

"EMPLOYEES LEAVING THE BUILDING"

STEP 1
WHEN READY TO EXIT THE BUILDING PUSH THE SECURITY DEPARTURES SWITCH. THE PARKING LOT LIGHTS WILL COME BACK ON FOR 15 MINUTES THEN SHUT OFF AUTOMATICALLY.

"MANAGER/LAST PERSON LEAVING THE BUILDING"

STEP 1
TURN THE KITCHEN UNOCCUPIED-OCCUPIED SWITCH TO THE UNOCCUPIED POSITION. THE KITCHENS AIR CONDITIONING SYSTEM WILL GO FROM THE THERMOSTAT SET POINT TO THE NIGHT SET BACK MODE.

STEP 2
WHEN READY TO EXIT THE BUILDING PUSH THE SECURITY DEPARTURE SWITCH. THE PARKING LOT LIGHTS WILL COME BACK ON FOR 15 MINUTES THEN SHUT OFF AUTOMATICALLY.

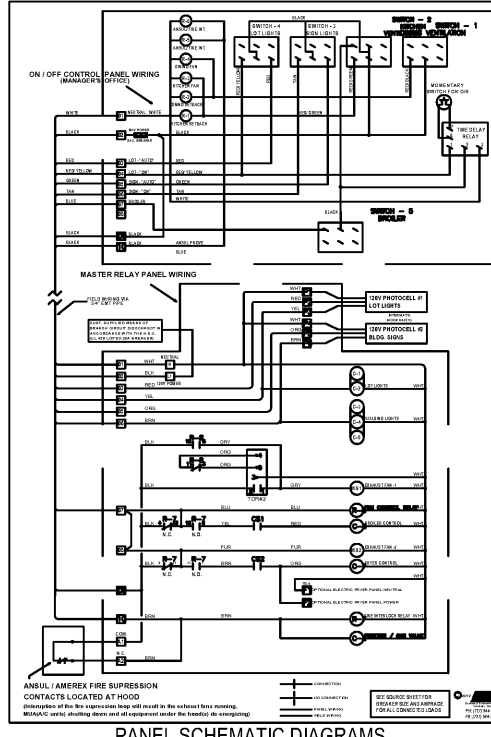
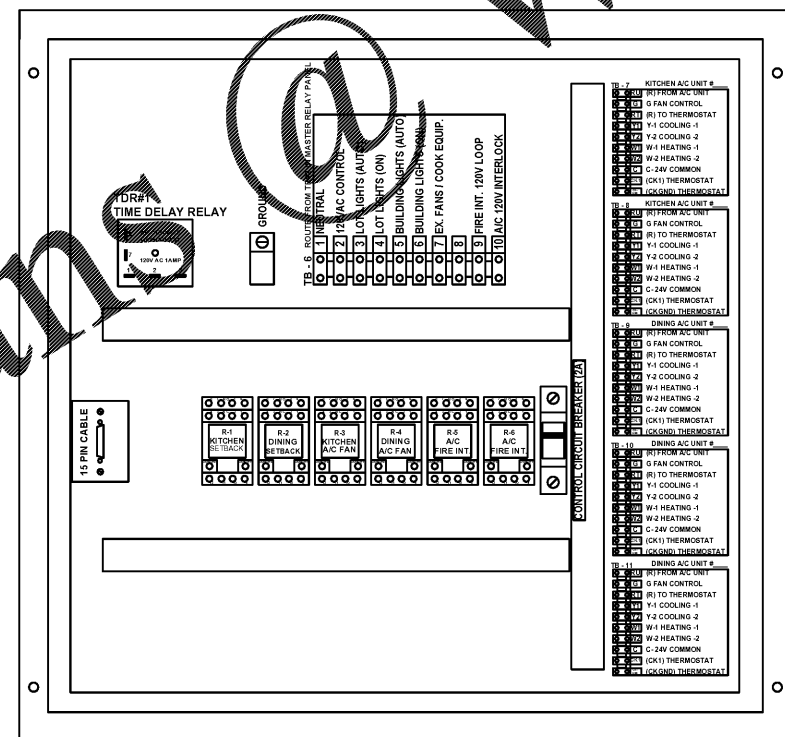
"HOOD VENTILATION SYSTEM NOTE"

WHEN THE HOOD EXHAUST FAN CURRENT SENSOR DETECTS A DROP IN AMPERAGE (SUCH AS A BELT BREAKING) IT WILL DISABLE THE VENTILATION TO THE COOKING EQUIPMENT UNDER THE HOOD. THE EXHAUST FAN SWITCH SHOULD BE PLACED IN THE OFF POSITION AND THE FAN SHOULD BE CHECKED AND/OR REPAIRED BEFORE TURNING THE SWITCH TO THE ON POSITION.

"PARKING LOT LIGHTING NOTE"

WHEN THE PARKING LOT LIGHTS ARE TURNED OFF, THEY MUST COOL DOWN FOR ABOUT 10 MINUTES BEFORE THEY WILL COME BACK ON.

NOTE: Current sensors are factory wired but must be field adjusted for proper operation. With the hood exhaust fans running, spin the potentiometer dials counterclockwise until the status "OFF" green LED lights and cooking equipment contactors de-energize. Then turn dials back clockwise one full turn. If the current sensors are improperly adjusted, cooking equipment may not shut off should a hood exhaust fan fail. If the cooking equipment fails to operate while the hood switches are on and the exhaust fans are running, spin the appropriate setpoint dial clockwise until the status "ON" red LED lights.



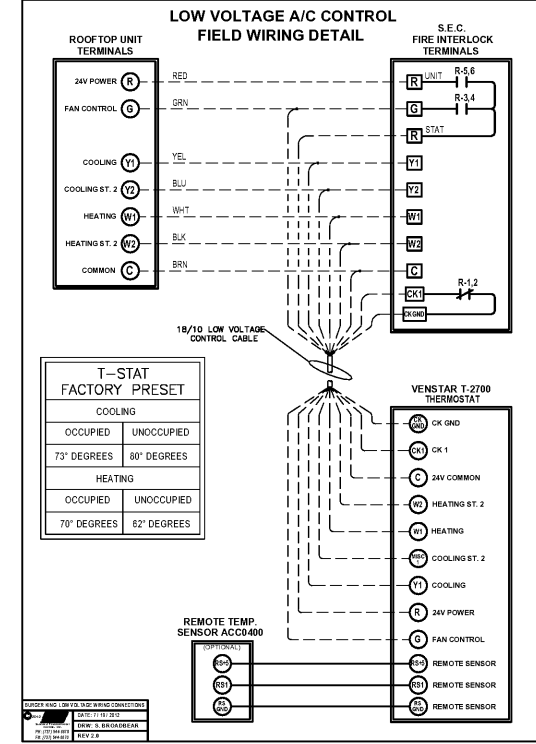
POPEYES SEQUENCE OF OPERATION

MANUAL CONTROL SYSTEM
THE A/C UNITS UNOCCUPIED-OCCUPIED SWITCH IS USED TO TURN THE STORE DOWN THE MORNING AND COOL DOWN EVENING.
WHEN A/C UNIT UNOCCUPIED-OCCUPIED SWITCH IS TURNED TO THE ON POSITION, THE AIR CONDITIONING SYSTEM WILL GO FROM NIGHT MODE TO SYSTEM ON.
THE AIR CONDITIONING FANS WILL START AND RUN CONTINUOUSLY.
THE OUTDOOR DAMPERS WILL OPEN TO A PRESET POSITION (OPTIONAL).
DAMPERS WILL NOT OPEN DURING NIGHT SETBACK MODE (OPTIONAL).
THE AIR CONDITIONERS WILL AUTO COOL DOWN AT THE OCCUPIED TEMPERATURE SETPOINT.
THE COOKING EQUIPMENT AND EXHAUST FANS OPERATE AS WHEN NEEDED.
WHEN A/C UNITS UNOCCUPIED-OCCUPIED SWITCH IS TURNED TO THE OFF POSITION, EXHAUST FANS, SUPPLY AND EXHAUST FANS WILL SHUT DOWN.
THE HEATING AND COOLING REVERSION SWITCH REVERT TO SYSTEM NIGHT SETBACK MODE.
THE COOKING EQUIPMENT WILL BE DISABLED.
THE SIGNAGE LIGHTING & LIGHTING SHALL BE DISABLED IF SWITCHES ARE IN THE OFF POSITION.
THE PARKING LOT LIGHTS & SECURITY LIGHTS SHALL REMAIN ON FOR 15 MIN AFTER THE SECURITY DEPARTURE SWITCH IS ACTIVATED.
WHEN THE HOOD EXHAUST FAN CURRENT SENSOR DETECTS A DROP IN AMPERAGE IT WILL DISABLE THE LINE VOLTAGE TO THE COOKING EQUIPMENT UNDER THE HOOD.

HOOD VENTILATION SYSTEM
IF THE KITCHEN A/C SWITCH IS IN THE OCCUPIED POSITION, THE HOOD VENTILATION SYSTEM CAN BE STARTED.
THE UNDER HOOD EQUIPMENT SHALL BE STARTED BY MOVING THE EXHAUST FANS ON/OFF SWITCH TO THE ON POSITION, IF THE EXHAUST FAN SWITCH IS IN THE ON POSITION, THE MAKE-UP AIR UNIT (IF APPLICABLE) SHALL START AUTOMATICALLY.
ACTIVATION OF THE HOOD FIRE SUPPRESSION SYSTEM SHALL DE-ENERGIZE THE MAKE-UP AIR UNIT, ALL A/C UNITS, AND THE CONTROLLED COOKING EQUIPMENT. THE HOODS EXHAUST SYSTEM SHALL CONTINUE TO OPERATE TO DRAW OUT SMOKE. THE FIRE SUPPRESSION SYSTEM SHALL BE MANUALLY RESET.

EXTERIOR LIGHTING CONTROL
ALL OF THE EXTERIOR LIGHTING SHALL BE CONTROLLED, WITH THE EXCEPTION OF THE SECURITY LIGHTS WHICH SHALL BE OPERATED BY ITS OWN PHOTOCELL. SECURITY LIGHTING IS OPTIONAL.
THE SIGNAGE SELECTOR SWITCH (3-POS.) CONTROLS THE PRIME SIGN, ALL MARQUEE SIGNS, AND BUILDING ACCENT LIGHTING.
ON POSITION: LIGHTING SHALL BE ON PERMANENTLY.
OFF POSITION: LIGHTING SHALL BE OFF PERMANENTLY.
AUTO POSITION: LIGHTING SHALL BE CONTROLLED BY THE PHOTO CELL.
THE LOT LIGHTS THREE POSITION SWITCH WORKS THE SAME AS THE SIGNAGE SWITCH.

NOTE: UNOCCUPIED-OCCUPIED / MASTER RELAY PANEL SHALL BE COMPLETE WHEN SHIPPED TO THE JOB SITE. NO INTERNAL WIRING SHALL BE REQUIRED. MAKE ALL EXTERNAL WIRING CONNECTIONS AS REQUIRED.



HVAC INTERLOCK PANEL (NFPA - 96 COMPLIANT) - "OPTIONAL"

POPEYES
400 PERIMETER CENTER TERRACE
SUITE 1000
ATLANTA, GA 30346
404-488-4650

Shane Hamilton P.E.
CONSULTING ENGINEER
111 Howard Avenue
Tampa, FL 33607 (813) 251-6848

London Huckostein architects, PC
architecture • planning • interior design
2126 Morris Avenue
Birmingham, AL 35203
Phone (205) 322-1751
Fax (205) 322-1778
email info@lphusa.com
www.lphusa.com
DRAWN BY: DS
CHECKED BY: MARW, EH
DATE: 09.27.2018
HHA PROJECT #: 18064.14

PREMIER CAJUN KINGS, LLC - POPEYES
Near 431 Main St,
Shofter, AL 36075
LOUISIANA KITCHEN PLK DESIGN STANDARDS
PLK 1846-DL PROTOTYPE: 46 SEATS / DUAL-LINE PRODUCTION



POPEYES

SHANE HAMILTON, P.E.
1717 N. HOWARD AVE. TAMPA, FL
ALABAMA LICENSE #37020

PERMIT/BD SET
09.27.2018

ALABAMA
Professional Engineer
Shane R. Hamilton
No. 1717 N. Howard Ave.
Tampa, FL 33607
(813) 251-6848

HVAC INTERLOCK DEVICE (NFPA-96) COMPLIANT

M.5

DATE:
CHECKED: