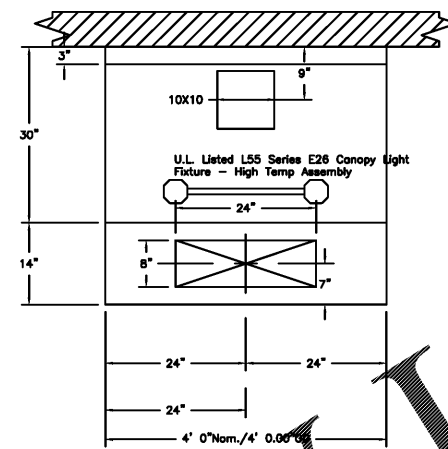


HOOD INFORMATION

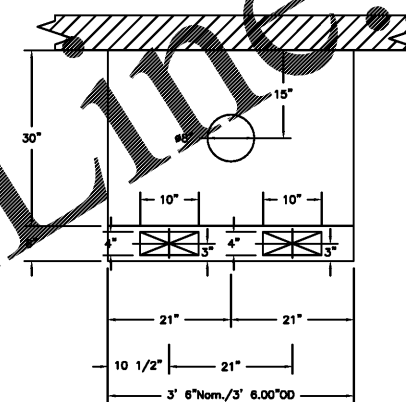
HOOD NO.	TAG	TYPE	FILTER(S)				LIGHT(S)			LOCATION	SIZE	UTILITY CABINET(S)			FIRE SYSTEM PIPING	HOOD HANGING WTG
			QTY.	HEIGHT	LENGTH	EFFICIENCY @ 7 MICRONS	QTY.	TYPE	WIRE GUARD			FIRE SYSTEM	ELECTRICAL	SWITCHES		
2	2 VAT	Coptrate Solo Filter	2	16"	20"	85% See Filter Spec.	2	L55 Series E26	NO					YES	274 LBS	
3	Batter Station1						0							NO	152 LBS	
4	Batter Station2						0							NO	152 LBS	

HOOD INFORMATION - Job#3346111

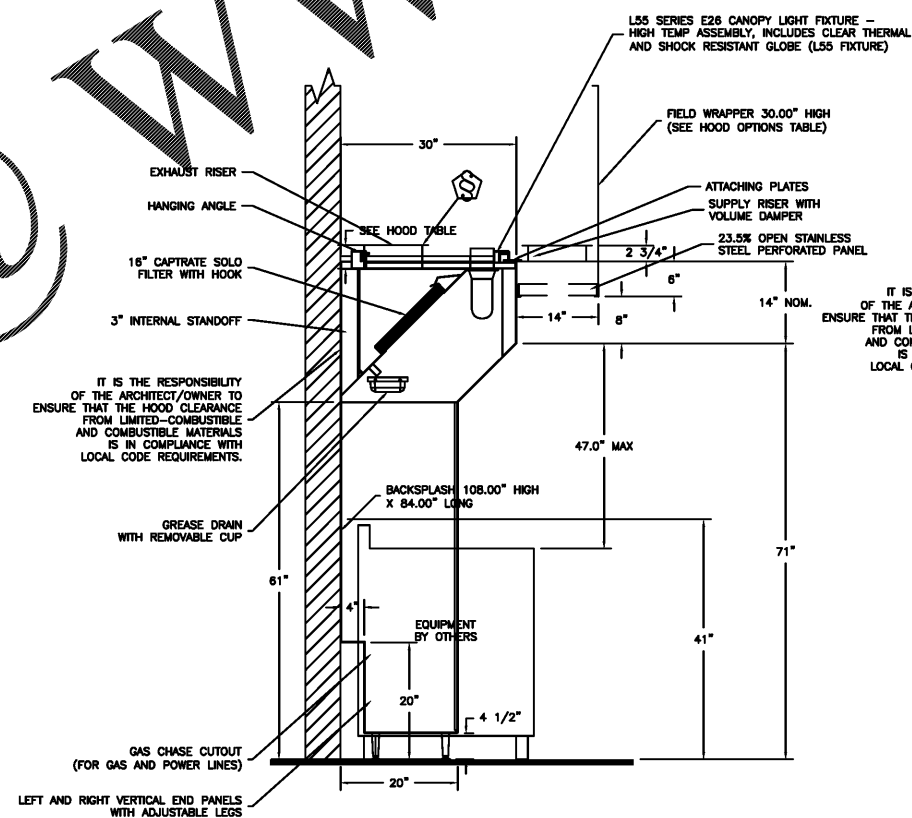
HOOD NO.	TAG	MODEL	LENGTH	MAX. COOKING TEMP.	TOTAL EXH. CFM	EXHAUST PLENUM RISER(S)					TOTAL SUPPLY CFM	HOOD CONSTRUCTION	HOOD CONFIG.			
						WIDTH	LENG.	HEIGHT	DIA.	CFM			VEL.	S.P.	END TO END	ROW
2	2 VAT	3044 BD-2-PSP-F	4' 0"	450 Deg.	600			4"	10"	600	1100	-0.374"	380	430 SS Where Exposed	ALONE	ALONE
3	Batter Station1	3024 VHB-G-PSP-F	3' 6"	700 Deg.	350			4"	8"	350	1003	-0.047"	185	430 SS 100%	ALONE	ALONE
4	Batter Station2	3024 VHB-G-PSP-F	3' 6"	700 Deg.	350			4"	8"	350	1003	-0.047"	185	430 SS 100%	ALONE	ALONE



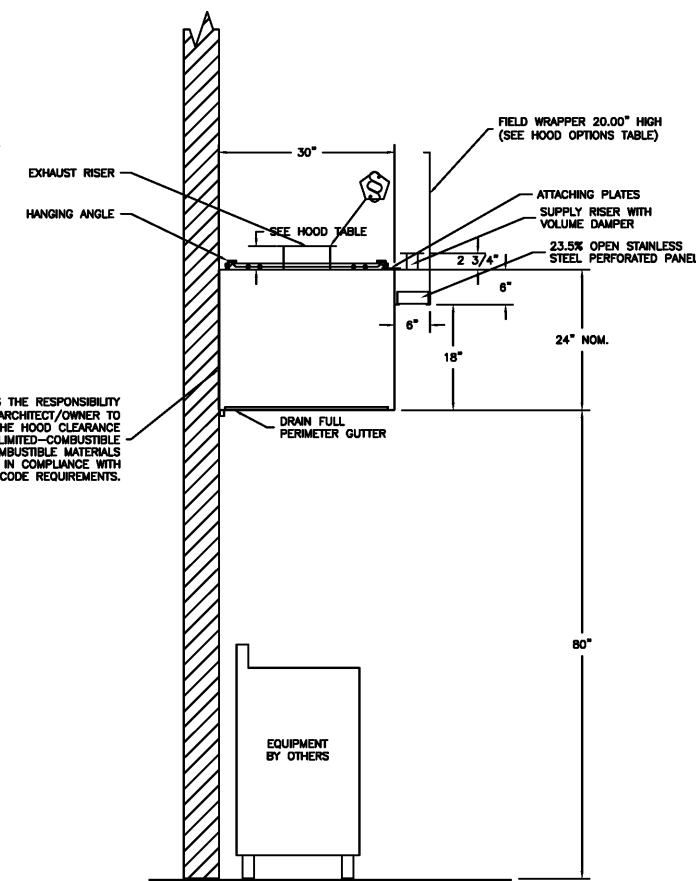
PLAN VIEW - Hood #2 (2 VAT)
4' 0.00" LONG 3044BD-2-PSP-F



PLAN VIEW - Hood #3 (Batter Station1), #4 (Batter Station2)
3' 6.00" LONG 3024VHB-G-PSP-F



SECTION VIEW - MODEL 3044BD-2-PSP-F
HOOD - #2 (2 VAT)



SECTION VIEW - MODEL 3024VHB-G-PSP-F
HOOD - #3 (Batter Station1), #4 (Batter Station2)

Order Plans @

WWW.LDILLING.COM

POPEYES
400 PERMIER CENTER TERRACE
SUITE 100
ATLANTA, GA 30348
404-859-4450

Shane Hamilton P.E.
CONSULTING ENGINEER
1717 N. HOWARD AVENUE
TAMPA, FL 33607 (813) 251-6848

henderson ruckenstein architects, PC
architecture • planning • interior design
2126 Morris Avenue
Birmingham, AL 35203
Phone (205) 322-1751
Fax (205) 322-1778
email info@hplusha.com
www.hplusha.com

DRAWN BY: DS
CHECKED BY: MRW, EH
DATE: 09.27.2018
HHHA PROJECT #: 18064.14

PREMIER CAJUN KINGS, LLC - POPEYES
Near 431 Main St,
Shoer, AL 36075
LOUISIANA KITCHEN PLK DESIGN STANDARDS
PLK1 1846-DL PROTOTYPE: 46 SEATS / DUAL-LINE PRODUCTION



POPEYES

SHANE HAMILTON, P.E.
1717 N. HOWARD AVE. TAMPA, FL
ALABAMA LICENSE #37020

PERMIT/BID SET
09.27.2018

ALABAMA
REGISTERED PROFESSIONAL ENGINEER
SHANE R. HAMILTON
1717 N. HOWARD AVE. TAMPA, FL 33607

TYPE-1 & 2 HOOD DETAILS

M.4

DATE:
CHECKED: