

DOOR ELEVATIONS

MARK	SIZE	DOOR	FRAME	FRAME DETAIL	QUANTITY											NOTES		
					BUTTS	STOP	THRESH	CLOSER	LOCKSET	WEATHER-STRIPPING	LOUVERS	PANIC	KICKPLATE	VIEWER	PUSH/PULL		HDWR. SET	
1	3'-0" X 7'-0" (PAIR)	TYPE A	SF-1	9,10/A17	3 PR	1	1	1	1	1	1	1	1	1	1	1	2	
19	NOT USED																	
2	3'-0" X 6'-8"	TYPE C	HM-1	13,14/A17	1.5 PR												4	>>
3	3'-0" X 7'-0"	TYPE A	SF-1	9,10/A17	1.5 PR	1	1	1	1	1	1	1	1	1	1	1	2	
39	NOT USED																	
4	3'-6" X 7'-0"	TYPE B	HM-1	11,12/A17	1.5 PR	1	1	1	1	1	1	1	1	1	1	1	1	
5	3'-0" X 6'-8"	TYPE D	HM-1	13,14/A17	1.5 PR	1		1	1					2		1 EA	3	
6	3'-0" X 6'-8"	TYPE D	HM-1	13,14/A17	1.5 PR	1		1	1					2		1 EA	3	
7	3'-0" X 6'-8"	TYPE E	HM-1	13,14/A17	1.5 PR	1		1	1					2	1		>>	
8	3'-0" X 6'-8"	DOORS BY COOLER MANUFACTURER - SEE SHEET A-14																

DOOR SCHEDULE

HARDWARE SET NO. 1: (LOCKNET SERIES DOOR PACKAGE)

DOOR FRAME & HARDWARE INCLUDING VISION PANEL W/ FLAP, CONTINUOUS HINGE, HEAVY DUTY CLOSER AND PANIC HARDWARE ORDERED THROUGH LOCKNET (800) 887-4307

1 EA. 3'-6" X 7'-0" X 1.75" X 16 GA. X G60 GALVANIZED LOCKNET SECURITY DOOR

1 EA. 3'-6" X 7'-0" (5-7/8" OR 6-3/4") JAMB DEPTH X 14 GA. X G60 GALVANIZED

X WELDED IN PLACE EOA X 1/4" X 2-1/2" HR PLATE SPREADER BAR X 4 SIDED

WELDED DOOR FRAME X FACTORY FINISH PAINTED

8 EA. 3/4" COVER PLUGS (BLACK)

1 EA. AIR LOUVER VLF-G-PVC-1/2" LEXAN - 9" X 9" GALVANIZED SECURITY VISION

1 EA. PEMKO CDHF82SLF-HD FULL MORTISE CONT. GEARED ALUM. HINGE X 628

1 EA. SECURITY LATCH GUARD X FULL LENGTH X TORX SD/ST SMS X FACTORY FINISH

1 EA. ARROW 1265S X EO X AL EXIT DEVICE

1 EA. DORMA 8616 X DS X FCOV S SN1 X AL CLOSER

1 EA. ROCKWOOD 24" X 40" X .050 X US32D X SECURITY TORX SD/ST SMS ARMOR PLATE ON PUSH SIDE

1 EA. PEMKO 171A X 42" X DOUBLE NOTCH CUT ENDS X THRESHOLD

1 EA. PEMKO 346C X 46" AL OVERHEAD RAIN DRIP X SECURITY TORX SD/ST SMS

1 EA. PEMKO 221APK X 42" AL COMBINATION KICK PLAT & DOOR SHOE X TORX

1 SET. P8512 X CONT. PERIMETER WEATHER SEAL (BLACK)

1 EA. INSTALLATION KIT (PER LOCKNET)

1 EA. CARDIOCARD PACKAGING (2 PIECE BOX)

1 EA. DELIVERED ON FULL LENGTH WOODEN PALLET

HARDWARE SET NO. 2: (BY YKK AP AMERICA INC.)

DOORS AND FRAMES (VERIFY QUANTITY W/ SCHEDULE ABOVE)

QTY	PART #	FINISH	MODEL	DESCRIPTION
1	4911DOR	YBSN	YKK AP 20D	3" X 7" OIP OFF-SET PIVOTS, HBR RH
1	92115FR	YBSN	2" X 4-1/2"	3" X 7" OIP, FRAME, W/TRANSOM, RH
1	4911DOP	YBSN	20D	6" X 7" OIP, OFF-SET PIVOTS, HBR PR
1	92118FP	YBSN	2" X 4-1/2"	6" X 7" OIP, FRAME, W/TRANSOM, PR
3	91120S	33S		SM CLOSER W/BACK CHECK NHD PRES
3	H1104SD	33S		PUSH/PULL 1" DIAM. TYPE SC (9" CTC)
3	H17107	YBSN	3-0	BOTTOM RAIL WEATHERSTRIP
3	SD101	YBSN		10" BOTTOM RAIL UP TO 3" THUMBTURNERS
2	H4204 SD			

STOCK LENGTHS

QTY	PART #	FINISH	LENGTH	DESCRIPTION
11	BE91503	YBSN	24-0	HEAD / JAMB / VERTICAL
3	BE91512	YBSN	24-0	SHALLOW POCKET FILLER
2	BE91506	YBSN	24-0	HORIZONTAL
2	BE91513	YBSN	24-0	4-1/2" SIDELITE BASE
4	EP91015	YBSN	24-0	GLASS STOP
2	BE91510	YBSN	24-0	SILL FLASHING

ACCESSORIES

QTY	PART #	LENGTH	PKG	DESCRIPTION
1	E20020		50PB	SETTING BLOCK
1	E20047		50PB	WATER DETECTOR
1	E20154		50PB	"W" SIDE BLOCK FOR DEEP POCKET
1	E10168		20PB	END DAM
2	E20052		500PB	GLAZING GASKET
2	PC1220		100PB	#12 X 1-1/4" PHSMS TYPE AB
1	E11015		50PB	SHEAR BLOCK
1	PC1028		100PB	#10 X 1-3/4" PHSMS TYPE AB

HARDWARE SET NO. 3:

1 1/2" PR. HINGES MCKINNEY BEARING HINGES, 4-1/2" X 4-1/2" US26D

1 EA. LATOSET W/LOCK SCHLAGER SATURN X US26D

1 EA. FLOOR STOP BALDWIN #4000 FLOOR MOUNT

1 EA. KICKPLATE BURNS 8" X 30" X 1/8" 196GA US26D

1 EA. COAT HOOK JACKSONB #600 WITH RUBBER GEAR

1 EA. CLOSER LCN 1400 ALUMINUM CLOSER

FOLLOWING ITEMS PROVIDED & INSTALLED BY G.C.:

1 EA. SIGN HANDICAP ACCESSIBILITY (HAI)

1 EA. SIGN AS REQ'D DOOR #6 "MEN"

DOOR #6 "WOMEN" 7" X 2"

HARDWARE SET NO. 4:

1 1/2" PR. HINGES MCKINNEY BEARING HINGES, 4-1/2" X 4-1/2" US26D

1 EA. KICKPLATE BURNS 8" X 30" X 1/8" 196GA US26D

1 EA. LATOSET W/LOCK SCHLAGER SATURN X US26D

1 EA. VIEWING WINDOW JACKSONB #600 WITH RUBBER GEAR

1 EA. CLOSER LCN 1400 ALUMINUM CLOSER

NOTES:

- DOOR AND HARDWARE TO BE FULLY ASSEMBLED AND ALL HARDWARE SHALL BE INSTALLED BY QUALIFIED CRAFTSMEN AT THE FACTORY AND THE UNIT DELIVERED TO THE JOBSITE READY FOR INSTALLATION. THE DOOR, HARDWARE AND THE HARDWARE INSTALLATION SHALL CARRY A MANUFACTURER'S 14 MONTH WARRANTY W/ 24 HOUR SERVICE. (TOLL FREE NUMBER TO BE DISPLAYED ON DOOR)
- H4101 FLUSH BOLT ON INACTIVE LEAF OF PAIR ONLY

SPECIFICATIONS:

DIVISION 8: DOORS, WINDOWS AND GLASS

SECTION 8B: INTERIOR WOOD CORE DOORS AND FRAMES GENERAL PROVISIONS

- SCOPE: FURNISH AND INSTALL ALL INTERIOR WOOD CORE DOORS AND RELATED ALUMINUM FRAMES. REFER TO NATIONAL ACCOUNT DIRECTORY.

MATERIALS

- DOORS ARE WOOD CORE SOLID DOORS - SEE DOOR SCHEDULE FOR SIZE, MATERIAL, HARDWARE, AND FINISH. FRAMES SHALL BE HOLLOW METAL AND FINISHED PER FINISH SCHEDULE.
- SEE HARDWARE SCHEDULE FOR HARDWARE AND MANUFACTURERS.
- SEE SECTION 10A FOR TOILET STALL DOORS WHERE APPLICABLE.

PERFORMANCE

- INSTALLATION: INSTALL IN ACCORDANCE WITH MANUFACTURER'S INSTRUCTIONS. CAULK AROUND ABUTTING EDGES WITH CLEAR SILICONE.

SECTION 8C: STEEL DOORS AND FRAMES

GENERAL PROVISIONS

- SCOPE: THE GENERAL CONDITIONS, SUPPLEMENTARY CONDITIONS, AND APPLICABLE PORTIONS OF DIVISION 1 OF THE SPECIFICATIONS ARE PART OF THIS SECTION.

FURNISH AND INSTALL ALL STEEL DOORS AND FRAMES, COMPLETE WITH JAMB ANCHORS.

MATERIALS

- DOORS AND FRAMES BY PIONEER INDUSTRIES, INC. STEELRAFT, OR CEKO.

DOOR FRAMES SHALL BE OF 16 GAUGE COILED STEEL. THEY SHALL BE MITERED AT CORNERS. FRAMES SHALL BE FURNISHED FACTORY PRIMED AND SHALVE THREE (3) "T" TYPE JAMB ANCHORS FOR EACH SIDE OF EACH FRAME. CAULK AROUND ALL ABUTTING EDGES WITH CLEAR SILICONE.

DOORS SHALL BE CONSTRUCTED OF TWO (2) SHEETS OF 18 GAUGE COILED STEEL WITH VERTICAL STIFFENERS NOT OVER 6" APART AND 2" AND 2" BOTTOM EDGES REINFORCED HORIZONTALLY BY STEEL CHANNELS. JOINTS AT EDGES OF DOOR SHALL BE COIL TO COIL WELDED. DOORS SHALL BE SOUND DEADENED BY FIBER GLASS CORE WITH MINERAL WOOL INSULATION. THEY SHALL BE THOROUGHLY CLEANED OF GREASE AND OTHER IMPURITIES, FILLED FLUSH, AND GIVEN TWO (2) COATS OF BAKED-ON RUST RESISTANT METALLIC PRIMER.

SEE HARDWARE SCHEDULE FOR HARDWARE AND MANUFACTURERS.

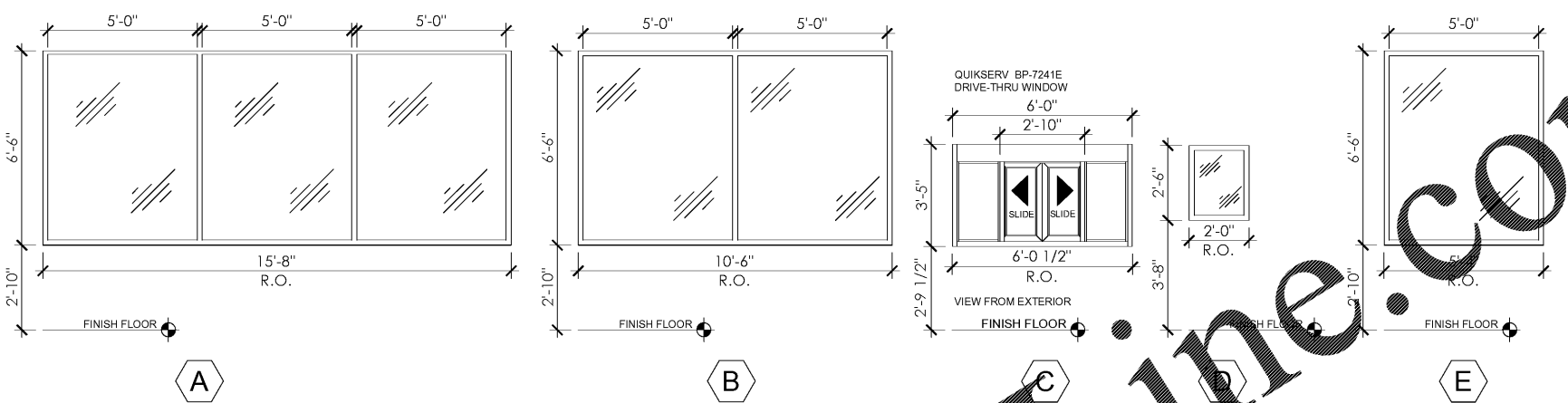
DOOR & HARDWARE NOTES

- HARDWARE SUPPLIER TO VERIFY STATE/LOCAL HANDICAPPED REQUIREMENTS FOR EXIT HARDWARE.
- COMPLETE SUBMITTALS ARE REQUIRED FOR APPROVAL PRIOR TO ANY ORDERING OR WORK.
- ALL DOOR HARDWARE MUST HAVE A SHAPE THAT IS EASY TO GRASP WITH ONE HAND AND DOES NOT REQUIRE TIGHT GRASPING, TIGHT PINCHING, OR TWISTING OF THE WRIST TO OPERATE.
- IF PANIC HARDWARE IS REQUIRED BY CODE, G.C. TO FURNISH AND INCLUDE PRICE ON BID.
- SEAL BOTTOM OF WOOD DOORS.

STOREFRONT NOTES:

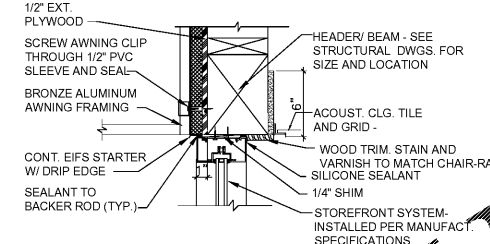
ALUMINUM STOREFRONT FRAME:
BY YKK AP OF AMERICA. SYSTEM=YES 45 TU, 2" X 4 1/2" THERMAL SYSTEM FOR 1" INSULATED LOW "E" GLAZING.

DOORS:
YKKAP 20D

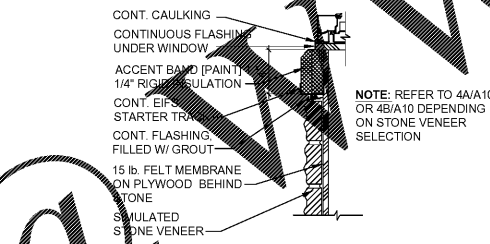


3 WINDOW ELEVATIONS

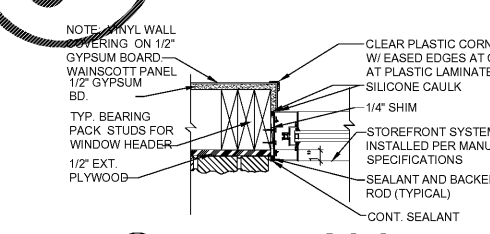
2 NOT USED



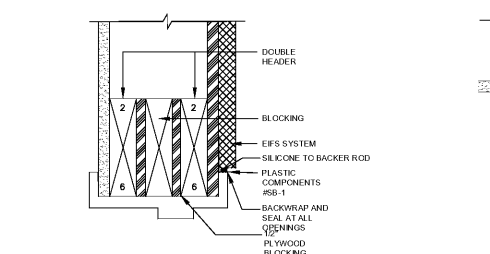
4 SECTION @ STOREFRONT HEAD



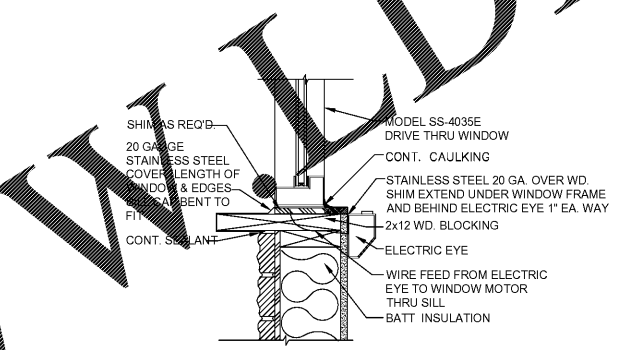
5 DETAIL @ SILL



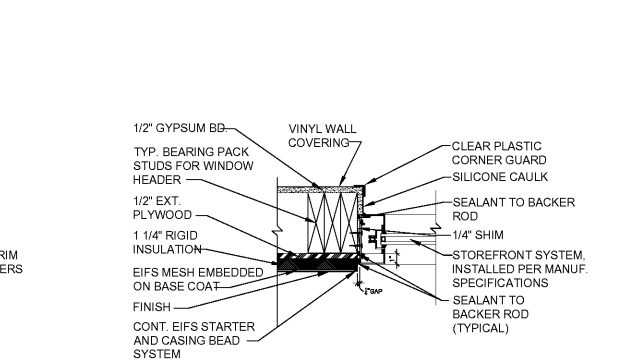
6 JAMB DETAIL @ STONE



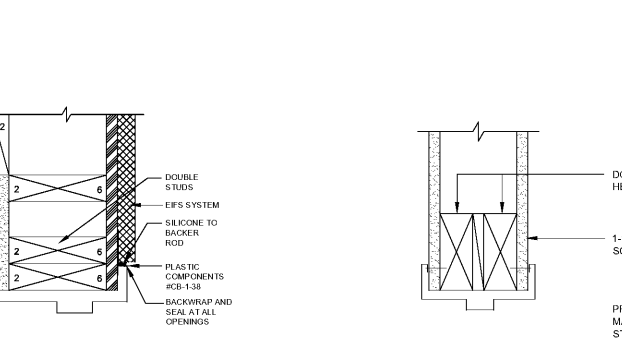
11 SECTION @ EXT. HEADER



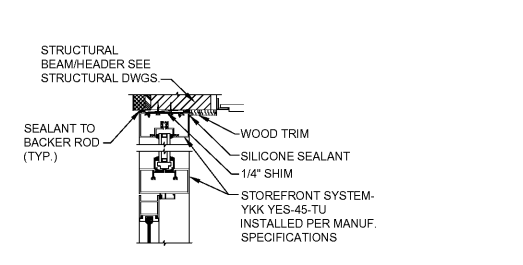
7 DRIVE THRU WINDOW SILL DETAIL



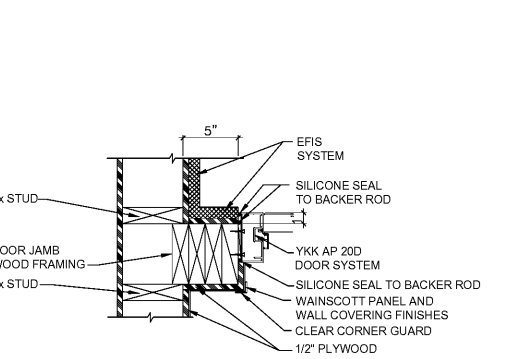
8 JAMB DETAIL @ EIFS



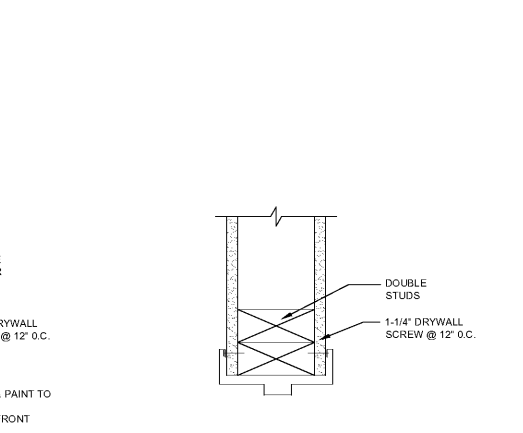
12 JAMB @ EXT. HEADER



9 SECTION @ EXT. HEADER



10 SECTION @ EXT. HEADER



14 JAMB @ INT. HEADER

11 SECTION @ INT. HEADER

POPEYES
400 PERIMETER CENTER TERRACE
SUITE 1000
ATLANTA, GA 30308
404-455-4660

LOUISIANA KITCHEN
REGISTERED ARCHITECT
10.30.18
Shendon Huckestein Architects, PC
architecture - planning - interior design
2124 Morris Avenue Birmingham, AL 35203
Phone (205) 322-1751
Fax (205) 322-1778
email info@hplusha.com
www.hplusha.com
DRAWN BY: DS
CHECKED BY: MRW, EH
DATE: 10.30.2018
HHHA PROJECT #18064.14

PREMIER CAJUN KINGS, LLC - POPEYES
Near 431 Main St,
Shorter, AL 36075
LOUISIANA KITCHEN PLK DESIGN STANDARDS
PLK1 1846-DL PROTOTYPE 46 SEATS / DUAL-LINE PRODUCTION



POPEYES

REVISIONS:
PERMIT/BID SET 10.30.18

A17
DOOR & WINDOW SCHEDULES, ELEVATIONS & DETAILS
DATE: 10/18/2018
CHECKED: MW