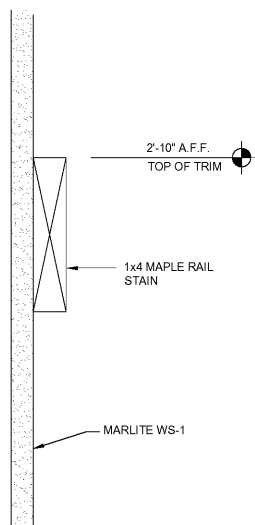
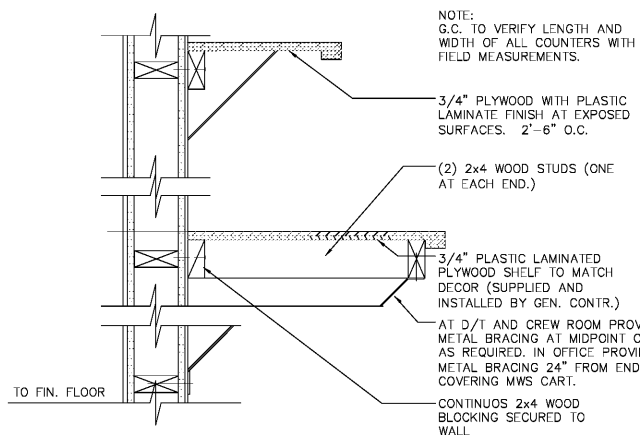


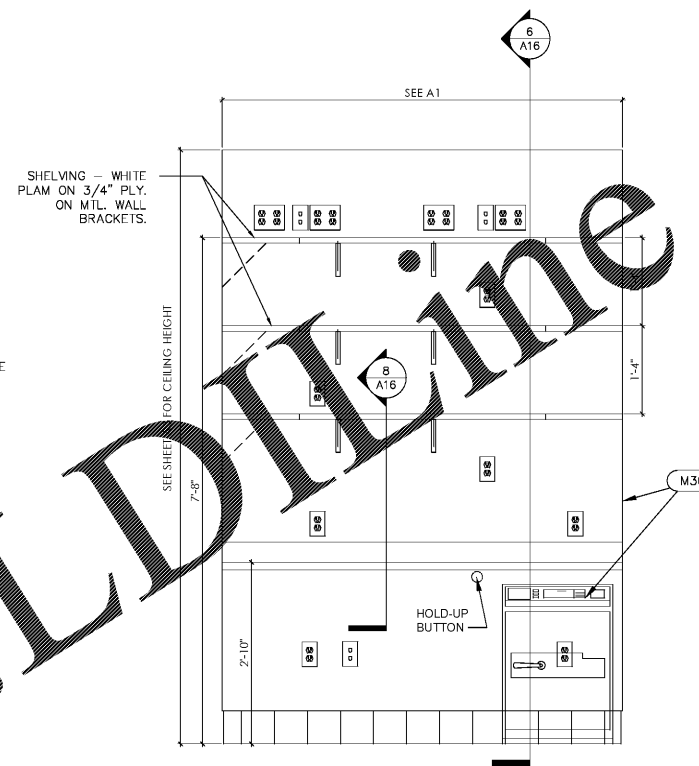
1 SYRUP LINES IN ATTIC SPACE
A16 3/4"=1'-0" TYP. DETAIL



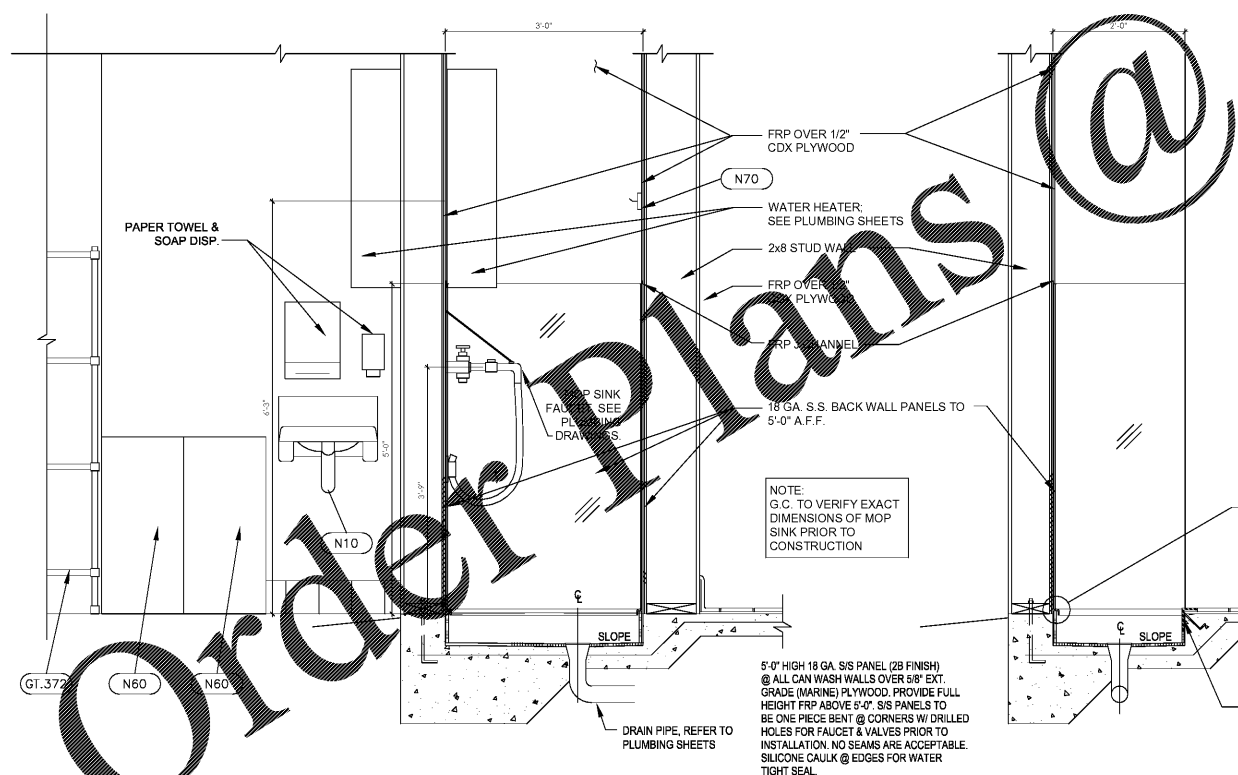
2 TYP. DETAIL @ CHAIR RAIL
A16 6"=1'-0"



8 MILLWORK DETAIL IN OFFICE
A16 1-1/2"=1'-0"

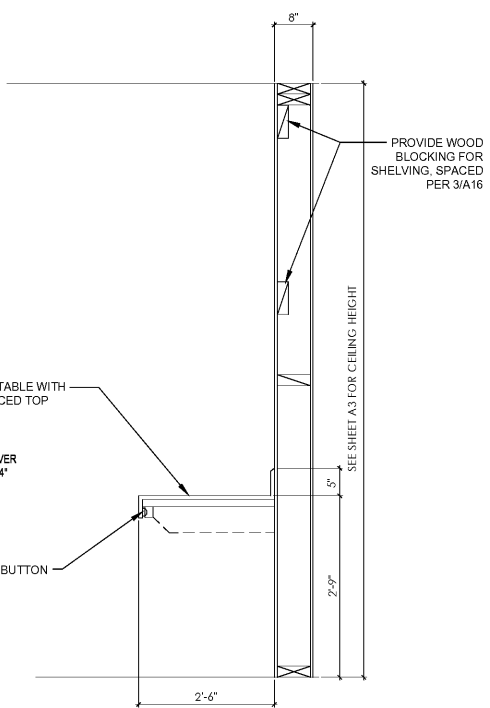


3 ELEVATION @ OFFICE
A16 3/4"=1'-0"

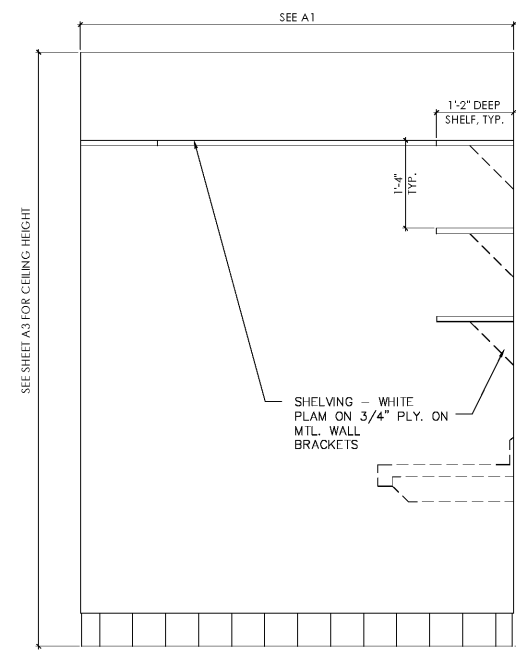


4 MOP SINK ELEV.
A16 3/4"=1'-0"

5 MOP SINK SECT.
A16 3/4"=1'-0"



6 SECTION @ OFFICE
A16 3/4"=1'-0"



7 ELEVATION @ OFFICE
A16 3/4"=1'-0"

POPEYES
400 PERIMETER CENTER TERRACE
SUITE 1000
ATLANTA, GA 30346
404-455-4650

Shendon Huckestein Architects, PC
10.30.18
2124 Morris Avenue Birmingham, AL 35203
Phone (205) 322-1751
Fax (205) 322-1778
email info@hplusha.com
www.hplusha.com
DRAWN BY: DS
CHECKED BY: MRW, EH
DATE: 10.30.2018
HHA PROJECT #: 18064.14

PREMIER CAJUN KINGS, LLC - POPEYES
Near 431 Main St,
Shorter, AL 36075
LOUISIANA KITCHEN PLK DESIGN STANDARDS
PLK1 1846-DL PROTOTYPE 46 SEATS / DUAL-LINE PRODUCTION

LOUISIANA KITCHEN
POPEYES

REVISIONS:
PERMIT/BID SET 10.30.18

A16
OFFICE & MOP SINK ELEVATIONS, MISC. DTLS.
DATE: 10/18/2018
CHECKED: MW