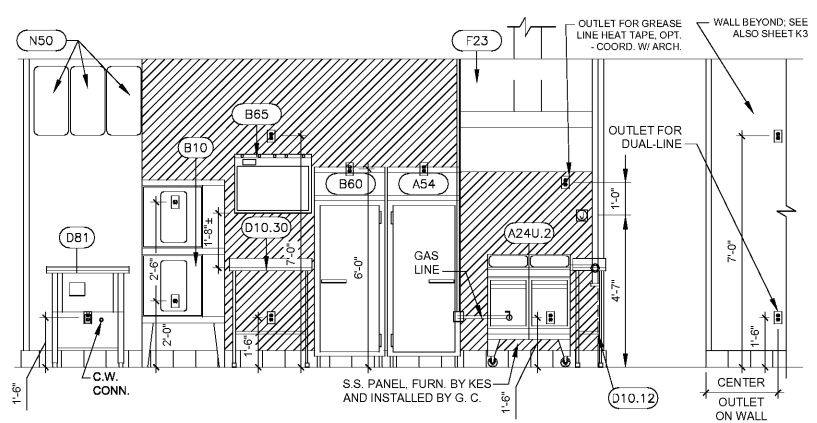


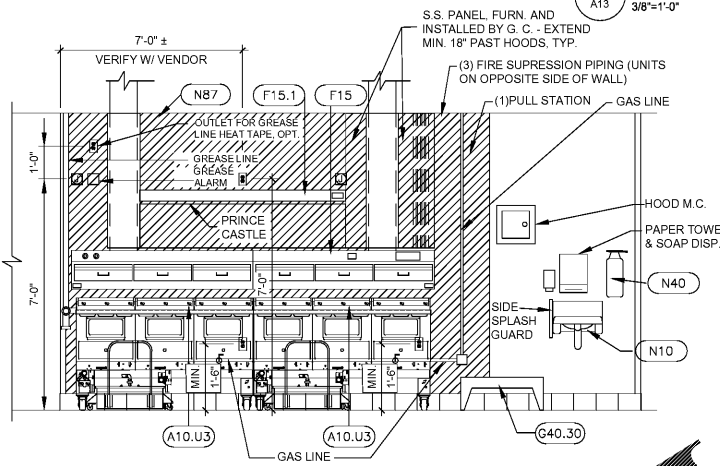
1 KITCHEN ELEVATION
A13 3/8"=1'-0"

2 KITCHEN ELEVATION
A13 3/8"=1'-0"

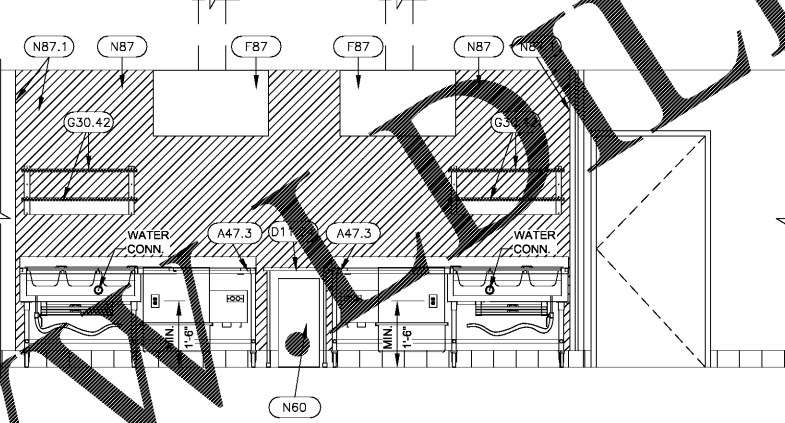
3 KITCHEN ELEVATION
A13 3/8"=1'-0"



4 KITCHEN ELEVATION
A13 3/8"=1'-0"

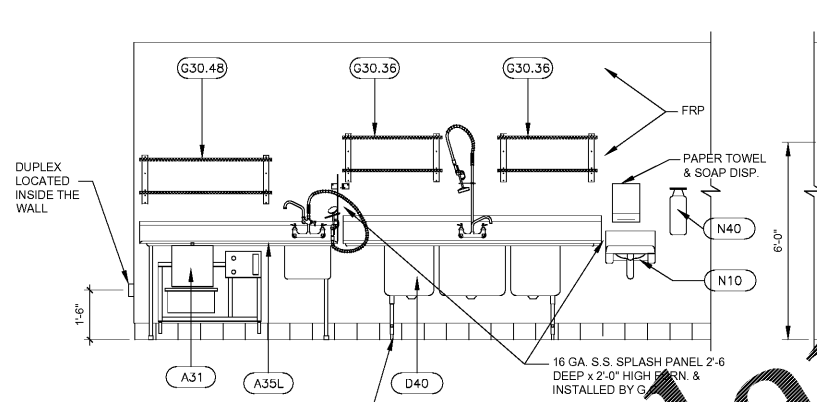


5 KITCHEN ELEVATION
A13 3/8"=1'-0"

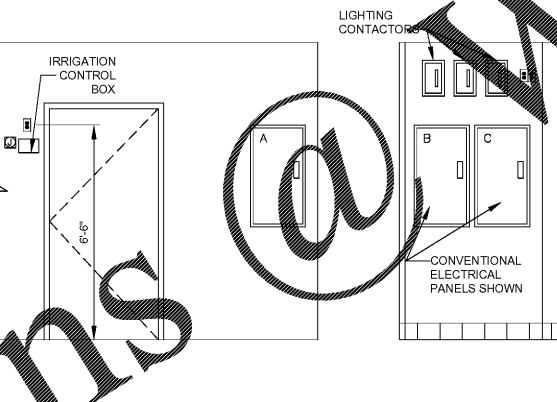


6 KITCHEN ELEVATION
A13 3/8"=1'-0"

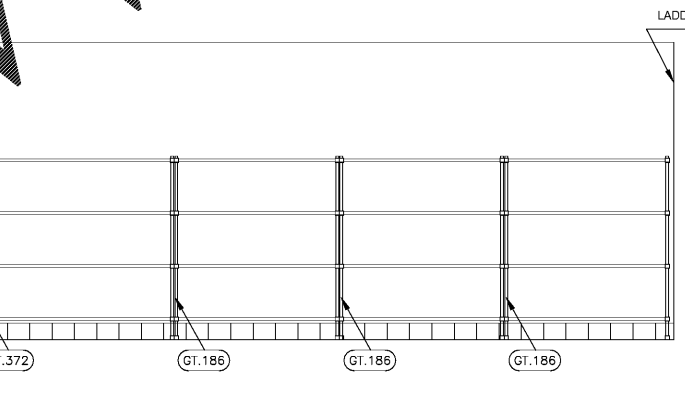
NOTE:
THESE ROUGH-IN LOCATIONS ARE FOR REFERENCE ONLY; COORDINATE DIMENSIONS SHOWN HERE W/ VENDOR- PROVIDED ROUGH-IN DRAWINGS/NOTES.



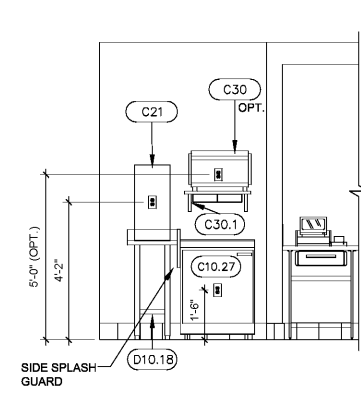
7 KITCHEN ELEVATION
A13 3/8"=1'-0"



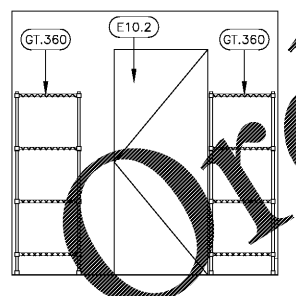
8 REAR DOOR
A13 3/8"=1'-0"



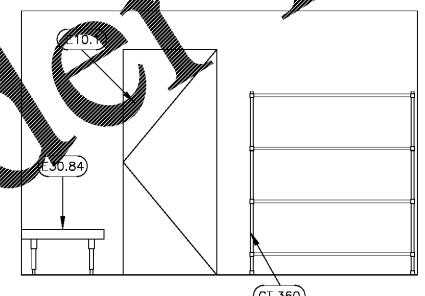
9 INTERIOR STORAGE ELEVATION
A13 3/8"=1'-0"



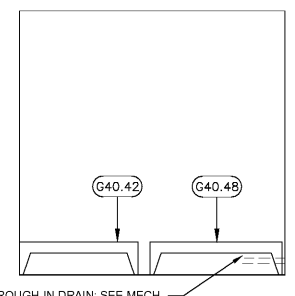
16 INT. SANDWICH STATION ELEV.
A13 3/8"=1'-0"



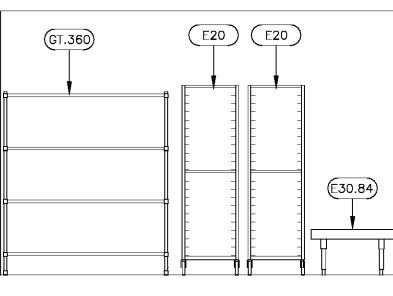
10 INTERIOR COOLER ELEVATION
A13 3/8"=1'-0"



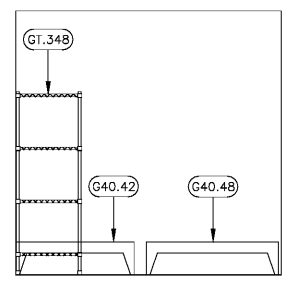
11 INTERIOR COOLER ELEVATION
A13 3/8"=1'-0"



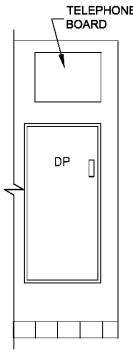
12 INTERIOR COOLER ELEVATION
A13 3/8"=1'-0"



13 INTERIOR COOLER ELEVATION
A13 3/8"=1'-0"



14 INTERIOR FREEZER ELEVATION
A13 3/8"=1'-0"



15 INTERIOR ELEVATION
A13 3/8"=1'-0"

LEGEND

- DUPLEX RECEPTACLE
- SPECIAL PURPOSE RECEPTACLE
- TELEPHONE OUTLET / DATA OUTLET
- TELEPHONE ONLY OUTLET
- DATA ONLY OUTLET
- JUNCTION BOX
- WATER CONNECTION

NOTES:

1. DIMENSIONS ARE TAKEN TO THE CENTER LINE OF THE JUNCTION BOXES. (VERT. & HORIZ.)
2. PAPER TOWER DISPENSER BY: SAN JAMAR #T1490 TBK FURNISHED AND INSTALLED BY G.C.
3. SOAP DISPENSER FURNISHED BY OWNER INSTALLED BY G.C.

POPEYES
400 PERIMETER CENTER TERRACE
SUITE 1000
ATLANTA, GA. 30348
404-455-4660

henderson huckestein architects, pc
10.30.18
architecture • planning • interior design
2124 Morris Avenue Birmingham, AL 35203
Phone (205) 322-1751
Fax (205) 322-1778
email info@hhpa.com
www.hhpa.com

DRAWN BY: DB
CHECKED BY: MRW, EH
DATE: 10.30.2018
HHA PROJECT #18064.14

PREMIER CAJUN KINGS, LLC - POPEYES
Near 431 Main St.
Shorter, AL 36075
LOUISIANA KITCHEN PLK DESIGN STANDARDS
PLK1 1846-DL PROTOTYPE 46 SEATS / DUAL-LINE PRODUCTION



POPEYES

REVISIONS:
PERMIT/BID SET 10.30.18

A13
KITCHEN ELEVATIONS
DATE: 01/28/2018
CHECKED: HR