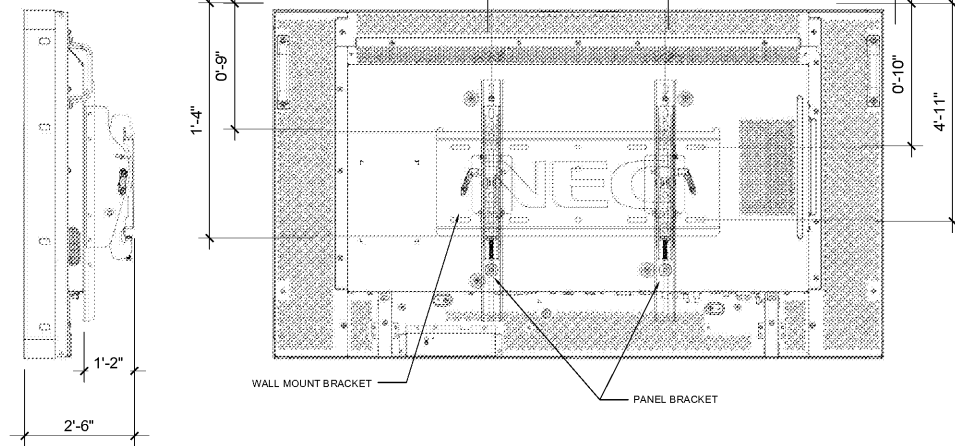
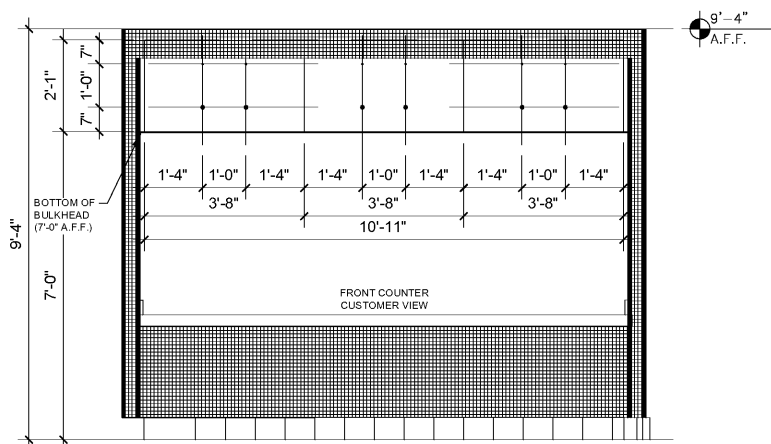


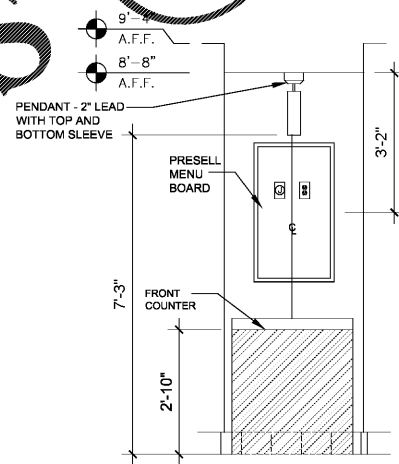
1 DIGITAL MENUBOARD ELECTRICAL RECEPTACLE LOCATIONS
A12a 1/2"=1'-0"



3 MONITOR BRACKET DETAILS
A12a NTS *FOR REFERENCE ONLY

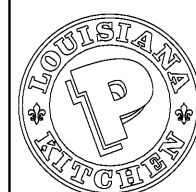


2 DIGITAL MENUBOARD LOCATION DIAGRAM
A12a 1/2"=1'-0"



5 MONITOR BRACKET DETAIL (REAR)
A12a NTS

4 FRONT COUNTER SECTION
A12a 1/2"=1'-0"



Order Plans @ www.LDILine.com