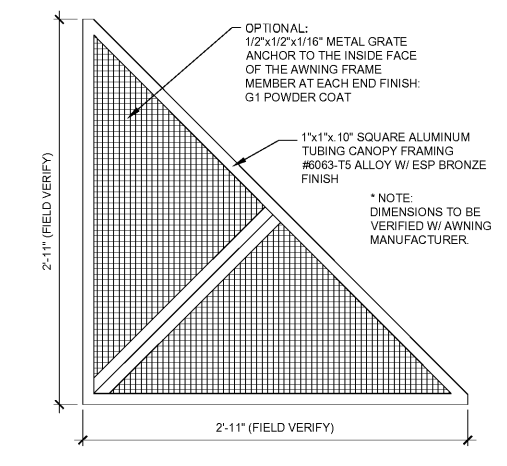
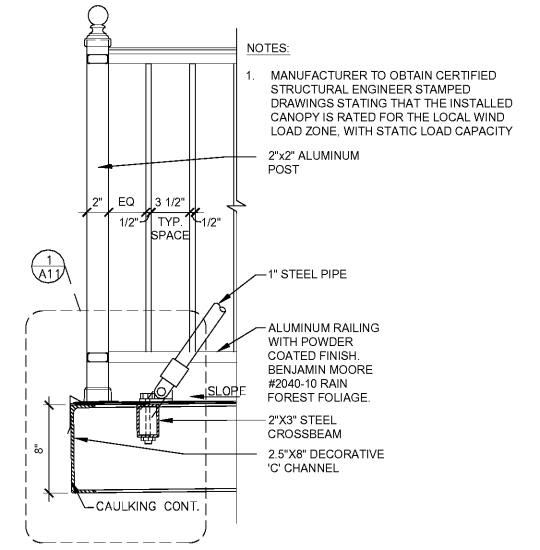


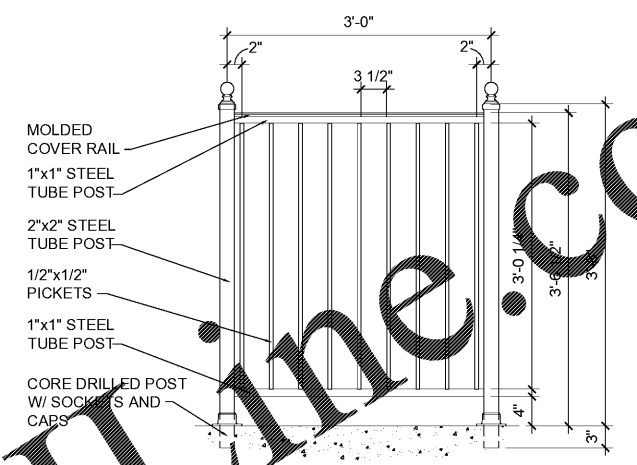
1 DETAIL AT PREMANUF. BALCONY  
A11 3'-1'-0"



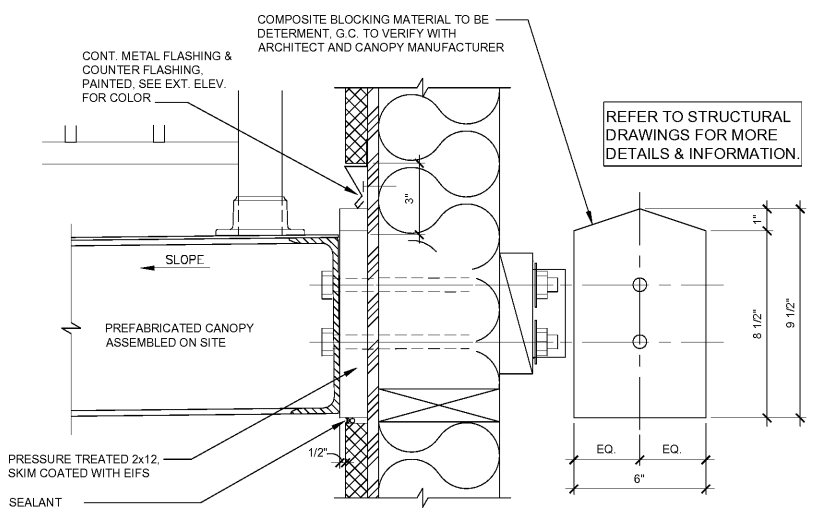
2 OPT. AWNING END COVER  
A11 1 1/2'-1'-0"



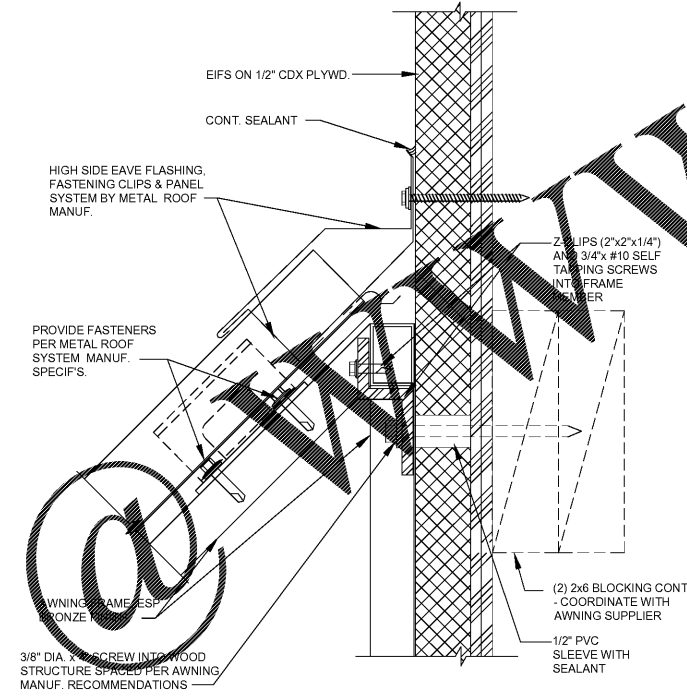
3 DETAIL A@ PREMANUF. BALCONY  
A11 1 1/2'-1'-0"



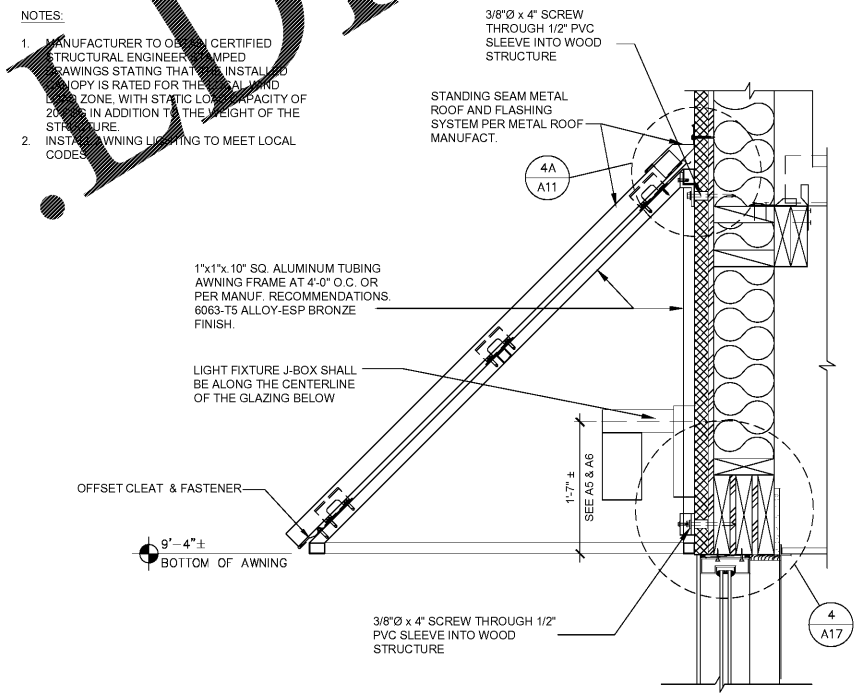
11 GUARD RAIL DETAIL  
A11 1'-1'-0"



4 DETAIL AT DRIVE-THRU WINDOW CANOPY  
A11 3'-1'-0"

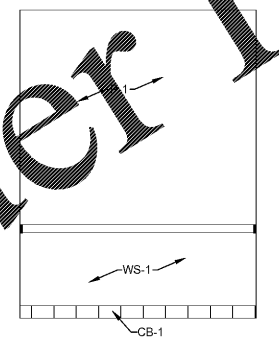


4A FLASHING DETAIL  
A11 6'-1'-0"

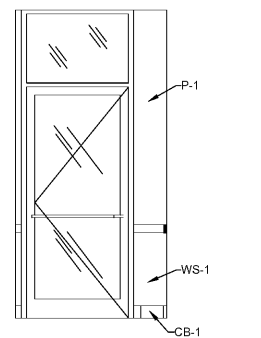


5 DETAIL @ AWNING  
A11 1-1/2'-1'-0"

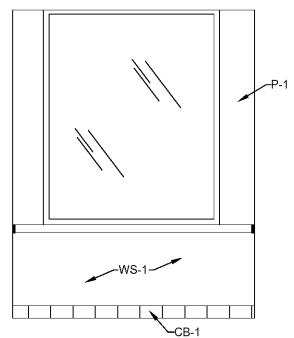
Order Plans



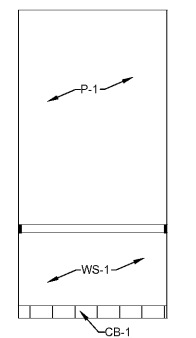
6 WALL ELEVATION @ MAIN ENTRANCE  
A11 3/8'-1'-0"



7 ELEVATION ENTRANCE AREA @ DRIVE-THRU SIDE  
A11 3/8'-1'-0"



8 ELEVATION ENTRANCE AREA @ DRIVE-THRU SIDE  
A11 3/8'-1'-0"



9 ELEVATION ENTRANCE AREA @ DRIVE-THRU SIDE  
A11 3/8'-1'-0"

10 NOT USED  
A11

**POPEYES**  
400 PERIMETER CENTER TERRACE  
SUITE 1000  
ATLANTA, GA 30308  
404-455-4650

**hendon huckestein architects, PC**  
10.30.18  
architecture - planning - interior design  
2124 Morris Avenue Birmingham, AL 35203  
Phone (205) 322-1751  
Fax (205) 322-1778  
email info@hplusna.com  
www.hplusna.com  
DRAWN BY: DS  
CHECKED BY: MRW, EH  
DATE: 10.30.2018  
HHHA PROJECT #18064.14

**PREMIER CAJUN KINGS, LLC - POPEYES**  
Near 431 Main St,  
Shofter, AL 36075  
LOUISIANA KITCHEN PLK DESIGN STANDARDS  
PLK1 1846-DL PROTOTYPE 46 SEATS / DUAL-LINE PRODUCTION

**LOUISIANA KITCHEN**  
**POPEYES**

REVISIONS:  
PERMIT/BID SET 10.30.18

**A11**  
AWNING/BALCONY DTLs & DINING ROOM ELEV'S  
DATE: 10/18/2018  
CHECKED: MW