

SYMBOL LEGEND:

| | |
|-------|---|
| GRID1 | GRID SPECIFICATION |
| ACOU1 | TILE SPECIFICATION |
| 9'-4" | CEILING HEIGHT AFF |
| E-1 | BALCONY LIGHT |
| E | MANSARD WALL MOUNT (UNDERSIDE OF AWNING) |
| H | SIGN / ACCENT LIGHT |
| D | SOFFIT RECESSED BALCONY (SUPPLIED BY SIGN SUPPLIER) |
| D1 | PARK LIGHT |
| S | EXTERIOR SPEAKER |
| E | EMERGENCY LIGHT / EXIT SIGN |
| E | EXTERIOR EMERGENCY LIGHTING |
| S | INTERIOR SPEAKER |
| ⊙ | CRABPOT PENDANT LIGHT |
| ⊕ | CYLINDRICAL IPENDANT LIGHT |
| ⊖ | MULTI-COLOR PENDANT LIGHT |
| ⊕ | RECESSED DOWNLIGHT |
| ● | RECESSED SPOTLIGHT |
| □ | 2 X 4 COMMERCIAL LED TROFFER MOUNT NO LOWER THAN 8" |
| ▭ | 1 X 4 FLUORESCENT FIXTURE-WALK IN COOLER/FREEZER |
| ⊠ | MECH. - RETURN AIR |
| ⊞ | MECH. - DIFFUSED SUPPLY |
| ⊗ | MECH. - SUPPLY |
| ▨ | MECH. - REGISTER |

HERMITAGE LIGHTING CONTACT INFORMATION:
 DAVID JACKSON
 (800)264-3383
 djackson@hermitagelighting.com

1 REFLECTED CEILING PLAN
 A3 1/4"=1'-0"

NOTE:
 ● CEILING GRID#2 TO BE INSTALLED CENTERED ABOVE DINING ROOM SPACE.

SPECIFICATIONS:

DIVISION 9: FINISHES
 SECTION 9C: SUSPENDED CEILING
 GENERAL PROVISIONS
 SCOPE: FURNISH AND INSTALL ACOUSTICAL TILE PANELS WITH MANUFACTURER'S SUSPENSION SYSTEM.
 PERFORMANCE
 1. INSTALLATION: GRID SHALL BE INSTALLED AS SHOWN AND IN STRICT ACCORDANCE WITH MANUFACTURER'S INSTRUCTIONS. LEVEL ACCURATELY AND HANG FROM #9 GAUGE ANNEALED WIRE NOT OVER 4" ON CENTERS. PROVIDE HOLD-DOWN CLIPS. COOPERATE IN FITTING AROUND AIR CONDITIONING AND VENTILATION OUTLETS. TRY TO AVOID FITTING RECESSED LIGHT FIXTURES WITHIN 3" OF EDGE OF TILE.

GENERAL NOTES:

- 1) CEILING GRID SHALL BE SUPPORTED FROM STRUCTURAL MEMBERS ONLY. GRID SHALL NOT BE SUPPORTED FROM OTHER TRADES WORK.
- 2) COORDINATE GRID INSTALLATION WITH LOCATION OF MECHANICAL EQUIPMENT AS INDICATED ON SHEET M-1 AND E-1.
- 3) HANGER WIRES FOR GRID SHALL BE INSTALLED AT NOT MORE THAN 48" O.C. AND AT EACH CORNER OF LAY-IN LIGHT FIXTURES. SEE ELECTRICAL PLANS FOR FIXTURE LOCATIONS.
- 4) CEILING GRID SHOULD BE CENTERED AT DINING ROOM.

MATERIALS:

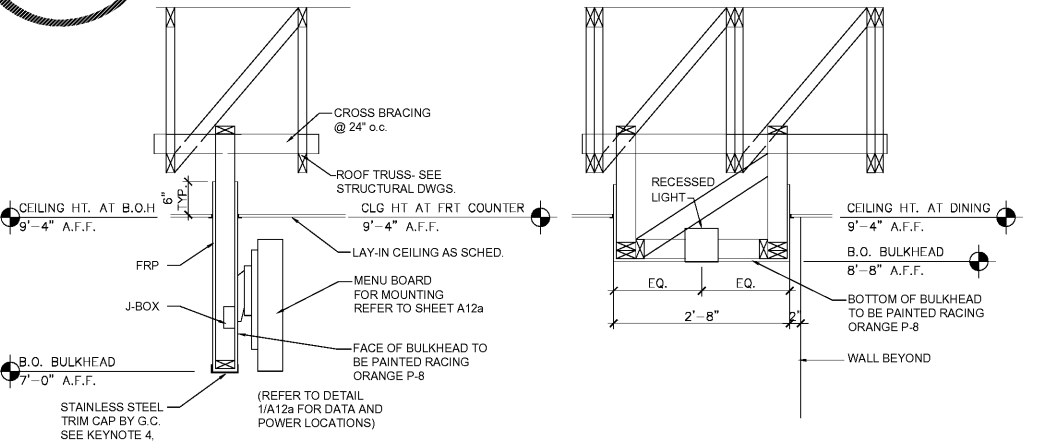
- GRID1 15/16" DBL WEBB HOT DIPPED GALV. STEEL TEE. ALUMINUM CAP #ZXA BY U.S.G.-COLOR: WHITE
- ACOU1 U.S.G. SHEETROCK BRAND LAY-IN CEILING TILE -"CLIMAPLUS" #3270, WHITE VINYL 24"x48"x1/2"
- GRID2 DX26 15/16" EXPOSED GRID SYSTEM, ALUMINUM CAP #ZXA BY U.S.G. -COLOR: WHITE.
- ACOU2 U.S.G. "RADAR CLIMAPLUS" # 2220, STL EDGES, 24"x48"x5/8", WHITE
- ACOU2 U.S.G. "RADAR CLIMAPLUS" # 2420, STL EDGES, 24"x48"x5/8", WHITE (Optional)
- GPBD1 1/2" WMR GYPSUM BOARD SURFACE, WHITE, JOINT FILLED AND SMOOTHED, PAINTED BEFORE PAINTING, NO CURTAINING

MANUFACTURER'S COLOR SHALL BE AS SPECIFIED. SUBSTITUTIONS WILL NOT BE ACCEPTED. PAINT TO BE APPLIED IN ACCORDANCE WITH MANUFACTURER'S TECHNICAL DATA SHEETS.
 NOTE: REFER TO FINISH SCHEDULE FOR OPTIMUM DINING AREA CEILING TILE AND GRID.

CONSTRUCTION KEY NOTES:

1. INSTALL STAINLESS STEEL CEILING PANELS (20 GAUGE) AT HOOD AREA. INSTALLATION SHALL EXTEND A MINIMUM 18" BEYOND THE EDGE OF THE HOOD - **OPTIONAL AS JURISDICTION MAY REQUIRE, OTHERWISE GRID1**
2. INSTALL A STAINLESS STEEL CAP ALONG THE BOTTOM EDGE OF THE BULKHEAD TO A HEIGHT OD 3" UP THE SIDES.
3. PAINT THE UNDERSIDE OF THE FUR-DOWN AT THE FRONT COUNTER P-8 AS SPECIFIED ON THE INTERIOR FINISH SCHEDULE.
4. GC SHALL INSTALL THE MENU BOARD AT THE LOCATION SHOWN (SEE 1/A12) COORDINATE WITH THE POPEYES CONSTRUCTION MANAGER AND SICOM FOR INSTALLATION TIMELINES AND REQUIREMENTS.
5. THE LIGHTING FIXTURES BELOW THE BALCONY SHALL BE PREINSTALLED BY THE BALCONY MANUFACTURER. CONTACT THE MANUFACTURER TO VERIFY ELECTRICAL REQUIREMENTS.
6. THE "E" FIXTURE LIGHTS ARE CENTERED ABOVE THE GLAZING AT THE CENTER LINE. THE GC SHALL ENSURE THAT THE AWNING INSTALLERS ADJUST THE AWNING STRUTS TO AVOID THE FIXTURES.
7. OUTLET THIS LOCATION (102" A.F.F.) - ALSO ADD DATA ABOVE OFFICE DOOR: COORD. THIS W/ OTHER OUTLETS & DATA PER A13, A16, ELEC. SHEETS, ETC.

@



2 SECTION @ MENUBOARD & SALES COUNTER BULKHEAD
 A3 3/4"=1'-0"

Order Plans