

1 FINISH FLOOR PLAN
1/4" = 1'-0"

SPECIFICATIONS:

DIVISION 9: FINISHES

SECTION 9B: TILE

GENERAL PROVISIONS

- SCOPE: FURNISH AND INSTALL ALL TILE FLOORS AND WALLS.
- QUALITY CONTROL: ALL TILE MATERIALS AND INSTALLATIONS SHALL CONFORM TO THE RECOMMENDED PRACTICES OF THE TILE COUNCIL OF AMERICA, INC.
- REFER TO THE POPEYES VENDOR DIRECTORY FOR APPROVED SUPPLIERS.

MATERIALS

- USE CERAMIC AND QUARRY TILE AS SHOWN ON FINISH SCHEDULE.
- GROUT:
 - JOINTS IN FLOOR AND BASE: EPOXY IS REQUIRED - HYDROMET V-POXY AARI OR APPROVED ALTERNATE HYDROMET SANDED JOINT FILLER AS MANUFACTURED BY THE UPCO COMPANY OR EQUAL CUSTOM BUILDING PRODUCTS. COLOR AS SHOWN ON FINISH SCHEDULE.
 - JOINTS IN WALL: HYDROMET TILE-MATE UNSANDED JOINT FILLER 749 DRY TILE GROUT AS MANUFACTURED BY THE UPCO COMPANY OR EQUAL CUSTOM BUILDING PRODUCTS. COLOR AS SHOWN ON FINISH SCHEDULE.
- CONCRETE TILE BACKER BOARD:
 - DUROCK N/AIABLE CONCRETE BACKER BOARD BY USG INDUSTRIES, INC., 101 S. DR., CHICAGO, IL 60606 ATTN: DEPT. #103-585. TO BE INSTALLED PER MANUFACTURER'S SPECIFICATIONS.

PERFORMANCE

- INSTALLATION:
 - INTERIOR CERAMIC WALL TILE SHALL BE INSTALLED IN ACCORDANCE WITH TILE COUNCIL METHOD W 243 GYPSUM BOARD, LATEX PORTLAND CEMENT BOND COAT WITH HYDROMET TILE-MATE 710 WITH FLEX-A-LASTIC ADDITIVE.
 - INTERIOR FLOOR TILE AND BASE SHALL BE INSTALLED IN ACCORDANCE WITH TILE COUNCIL THIN-SET METHOD F113 DRY SET MORTAR OR LATEX PORTLAND CEMENT MORTAR WITH HYDROMET TILE-MATE 760 WITH FLEX-A-LASTIC ADDITIVE. IN ALL AREAS OF KITCHEN & RESTROOMS WHERE SLAB IS DEPRESSED, THIN-SET METHOD AS DESCRIBED BELOW IN ITEM #2 - SLOPE FLOOR PER FOUNDATION PLAN.
 - JOINTS IN FLOOR AND BASE: JOINTS IN FLOORS AND BASE IN FOOD PREP, SUPPLY, SALES, UTILITY, WASH, AND TOILETS TO BE INSTALLED IN ACCORDANCE WITH TILE COUNCIL METHOD DQ #115 DRY-SET MORTAR WITH PORTLAND CEMENT OR PORTLAND CEMENT BASE GROUT. GROUT SHALL BE HYDROMET TILE-MATE 710. ALTERNATE HYDROMET JOINT FILLER BY THE UPCO CO. IN ACCORDANCE WITH MANUFACTURER'S INSTRUCTIONS. JOINTS SHALL BE 1/4" WIDE. COMPLETELY FILLED WITH THE TILE-MATE 710. TILE AND GROUT TO BE TO A SMOOTH DENSE FINISH.
 - JOINTS IN WALL: TILE SHALL BE GROUTED WITH HYDROMET JOINT FILLER IN ACCORDANCE WITH MANUFACTURER'S INSTRUCTIONS AND SHALL BE CLEANED OF SURFACE GROUT AS WORK PROCEEDS USING DRY GROUT AND BURLAP CLOTH. NO ACID CLEANER SHALL BE USED.

- THICK-SET FLOOR INSTALLATION METHOD (OPTIONAL) THICK-SET FLOOR INSTALLATION IN ACCORDANCE WITH TILE COUNCIL METHOD F112 CEMENT MORTAR MAY BE USED WITH 1/2" SETTING BED IN LIEU OF THIN-SET METHOD AT THE CONTRACTOR'S OPTION THROUGHOUT. PROVIDING FINISH FLOOR ELEVATIONS REMAIN AS SHOWN AND SLABS ARE DEPRESSED 2" TO COMPENSATE FOR 1 1/2" MINIMUM BED THICKNESS. FOR KITCHEN & RESTROOM AREAS ONLY (SEE ITEM 'C' ABOVE) SEE SHEET S-1 FOR DEPRESSED SLAB LOCATIONS WHERE THIS METHOD IS REQUIRED.

SECTION 9E: PAINTING

GENERAL PROVISIONS

- SCOPE: SUPPLY ALL LABOR, MATERIALS, AND EQUIPMENT NECESSARY FOR THE PROPER PAINTING AND FINISHING OF THE BUILDING.

MATERIALS

- PAINT BRANDS AND COLORS ARE GIVEN IN THE FINISH SCHEDULE TO SHOW EXACT COLOR REQUIRED. UNSPECIFIED BRANDS OF MATERIALS SUCH AS SHELLAC, TURPENTINE, THINNER, ETC., SHALL BE PURE AND OF THE BEST QUALITY OBTAINABLE. ALL MATERIALS SHALL BE USED WITHOUT ALTERATIONS AND ONLY AS SPECIFIED BY THE PAINT MANUFACTURER.
- PUTTY AND FILLERS SHALL BE AS RECOMMENDED BY THE PAINT MANUFACTURER.
- CAULKING MATERIAL SHALL BE "MONO" ACRYLIC TERPOLYMER, WHITE COLOR, BY TREMCO MANUFACTURING (CLEVELAND, OH) APPROVED EQUAL.

PERFORMANCE

- WORKMANSHIP: ALL SURFACES TO BE PAINTED SHALL BE CLEAN AND FREE OF DIRT, DUST, OIL, GREASE, PAINT, OR OTHER SUBSTANCES. PAINTING SHALL NOT BE DONE WHEN THERE IS SWEEPING OR EXCESSIVE DUST IN THE AIR. PATCH SWATCHES, RESPECTFULLY, SHALL BE CLEANED OF ALL RESIDUE AND TOUCHED UP WITH SHELLAC BEFORE PAINTING. PUTTY AT ALL HOLE, CRACKS, AND JOINTS. ALL WOODWORK AFTER THE FIRST COAT IS APPLIED WHERE THE WOOD DOES NOT DRY TO A UNIFORM GREEN OVER THE ENTIRE SURFACE. SPOT PRIME THE AREAS THAT INDICATE SUCTION BEFORE APPLYING FINISH COATS. UNDERCOATS OF PAINT SHALL BE TINTED TO A COLOR APPROXIMATING THE FINISH COATS, WITH ENOUGH VARIATION IN COLOR TO PERMIT VISUAL INSPECTION OF MATERIALS DURING THIS WORK. ALL MATERIALS SHALL BE EVENLY SPREAD AND FLOWED ON WITHOUT RUNS, SAP, OR EXCESSIVE BRUSH MARKS.
- STEEL DOORS, FRAMES, GATES, PIPE GUARDS, LIGHT POLES, EXPOSED SIGN SUPPORTS, GAS PIPES, HANDRAILS, AND OTHER FREE-STANDING METAL ACCESSORIES:
 - PRE-PRIMED: TWO (2) ADDITIONAL COATS OF EXTERIOR ENAMEL BENJAMIN MOORE IRON CLAD #163 OVER FINELY-SANDED PRIMER. SEE FINISH SCHEDULE FOR COLOR.
 - BARE METAL: TWO (2) COATS BENJAMIN MOORE IRON CLAD #163 OVER TWO (2) COATS FINELY-SANDED METAL PRIMER. SEE FINISH SCHEDULE FOR COLOR.
- ALUMINUM LIGHT POLES: POLES SHALL BE PROVIDED BY HERMITAGE LIGHTING AS A PART OF THEIR LIGHTING PACKAGE. THESE POLES COME PREFINISHED IN DARK BRONZE, AND IS INSTALLED BY THE SITE LIGHTING CONTRACTOR. CONCRETE POLES ARE ALLOWED IF REQUIRED BY THE LOCAL JURISDICTION, AND SHALL BE SEALED OR FINISHED ACCORDING TO THE LOCAL CODE.
- SIGN POLES: SIGN POLES SHALL BE PRIMED AND PAINTED WITH TWO COATS. REFER TO FINISH SCHEDULE FOR FINISH.

SECTION 9F: PREFINISHED PANELS

GENERAL PROVISIONS

- SCOPE: FURNISH AND INSTALL PANELS AND MATCHING TRIM, INTERIOR PREFINISHED PANELS, TRIM, CORNER GUARDS, AND ACCESSORIES.
- NOTES: REFER TO NATIONAL ACCOUNT DIRECTORY.

MATERIALS

- MARLITE PLANKS AND TRIM, 16" X 8'-0", COLOR AND FINISH AS SHOWN ON FINISH SCHEDULE. ADHESIVE: MARLITE BRAND C-375 WATERPROOF SOLVENT-BASED ADHESIVE. CAULKING: MARLITE SILICONE BRAND SEALANT.
- FIBERGLASS REINFORCED PANELS:
 - MARLITE T-11200 TBS FRP PANELS, 4' X 8' X 0.10", AND MATCHING TRIM CLASS #11. (USE 10' LENGTHS FOR CEILINGS > 8') COLOR: SEE FINISH SCHEDULE. ADHESIVE: MARLITE BRAND C-375 WATERPROOF SOLVENT-BASED ADHESIVE. CAULKING: MARLITE SILICONE BRAND SEALANT.
 - WHERE REQUIRED BY CODE ONLY, FIRE-RATED FRP PANELS WITH CLASS A/1 ARE AVAILABLE FOR MARLITE.
- EXTRA DUTY CORNER GUARDS:
 - EXTRA DUTY CORNER GUARDS AT OUTSIDE WALL CORNERS IN FOOD PREP, POT WASH, AND STORAGE AREAS AS SHOWN SHALL BE STAINLESS STEEL, AND SHALL EXTEND FROM TOP OF TILE BASE TO THE CEILING, WITH CONCEALED FASTENERS. CLEAR CAULK ACCEPTABLE MANUFACTURER: PROVIDE ALL CORNER GUARDS FROM A SINGLE SOURCE.

MATERIALS:

- STAINLESS STEEL: CORNER GUARDS SHALL BE MANUFACTURED FROM TYPE 304, 16 GAUGE STAINLESS STEEL.

MARLITE PANELS:

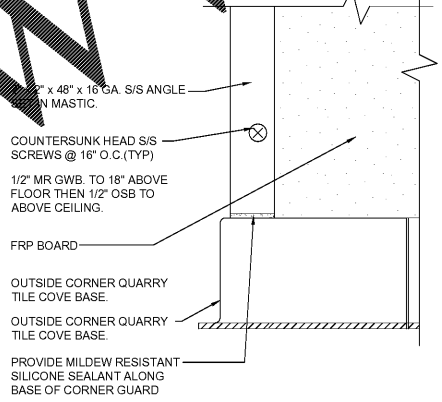
PERFORMANCE

- INSTALL MARLITE PANELS IN ACCORDANCE WITH MANUFACTURER'S INSTRUCTIONS. APPLY MATCHING TRIM BEFORE INSTALLING PANELS. FLUE UP PANELS ON GYPSUM BOARD, SETTING ALL PANELS INTO TRIM IN A BED OF CLEAR CAULK. USE MARLITE SOLVENT-BASED ADHESIVE C-375 OR EQUAL APPROVED BY MANUFACTURER. DO NOT APPLY WHEN TEMPERATURE IS LESS THAN 40 DEGREES F. CAULK AROUND ALL JOINTS, TRIM, AND ABUTTING EDGES WITH CLEAR SILICONE.

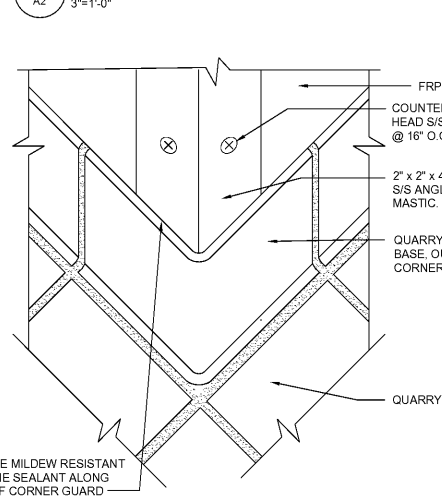
SECTION 9G: LAMINATE WALLS

GENERAL PROVISIONS

- FURNISH AND INSTALL PANELS PER MANUFACTURER'S INSTALLATION REQUIREMENTS. REFER TO FINISH SCHEDULE.
- APPLY LAMINATE TO 1/2" PLYWOOD SUBSTRATE AND ADHERE PANELS WITH MANUFACTURER'S RECOMMENDED GLUE AND ANCHORS.
- ALL JOINTS TO BE BUTTED TOGETHER.



2 KITCHEN CORNER GUARD ELEVATION VIEW, TYP.
3/4" = 1'-0"



3 KITCHEN CORNER GUARD ISOMETRIC VIEW, TYP.
3/4" = 1'-0"

POPEYES LOUISIANA KITCHEN **PLK 18 SERIES INTERIOR FINISH SCHEDULE**

COMPLETE WORKING LIST UPDATE: 1/09/2018

FLOORING						
Mark	Location	Supplier / Manuf.	Material	Specification	Color	Finish
T-1	FIELD DINING & RESTROOMS	INTERCERAMIC	PORCELAIN TILE	CUSTOM	FRENCH BROWN	13/16" FLOOR TILE
CS-1	DINING AREA BASE TILE	CUSTOM BLDG PRDCT	GROUT	POLYBLEND	#145 LIGHT SMOKE	SANDED OR EPOXY BLEND
QT-1	KITCHEN AREA FLOOR	INTERCERAMIC	QUARRY TILE	QUARRY BASICS	MAYFLOWER RED 31A	ABRASIVE 8 x 8
QT-2	KITCHEN AREA BASE	CUSTOM BLDG PRDCT	GROUT	POLYBLEND	#60 CHARCOAL	SANDED OR EPOXY BLEND

WALLS AND DOORS						
Mark	Location	Supplier / Manuf.	Material	Specification	Color	Finish
P-1	DINING AREA WALLS	BENJAMIN MOORE	ACRYLIC LATEX	PRIME / PAINT	2159-30 "APPLE CRISP"	1 COAT #012, PRIMER 2 COATS, ULTRA SPS, EGG-SHELL
P-2	DINING AREA WALLS	BENJAMIN MOORE	ACRYLIC LATEX	PRIME / PAINT	2146-10 "DARK CELERY"	1 COAT #012, PRIMER 2 COATS, ULTRA SPS, EGG-SHELL
P-3	DINING AREA WALLS	BENJAMIN MOORE	ACRYLIC LATEX	PRIME / PAINT	2004-10 "DEEP ROSE"	1 COAT #012, PRIMER 2 COATS, ULTRA SPS, EGG-SHELL

Mark	Location	Supplier / Manuf.	Material	Specification	Color	Finish
P-7	DOOR FRAMES	BENJAMIN MOORE	ACRYLIC LATEX	PRIME / PAINT	2159-30 "APPLE CRISP"	2 COATS
AP-1	WALL GRAPHIC, 36" X 48"	GRAPHICS VENDOR	CANVAS	DIGITALLY PRINTED	AP-1 "12 HOURS"	2 COATS
AP-2	WALL GRAPHIC, 36" X 48"	GRAPHICS VENDOR	CANVAS	DIGITALLY PRINTED	AP-2 "CITY"	FRAME
AP-3	WALL GRAPHIC, 36" X 48"	GRAPHICS VENDOR	CANVAS	DIGITALLY PRINTED	AP-3 "CALIFORNIA"	FRAME
AP-4	WALL GRAPHIC, 36" X 48"	GRAPHICS VENDOR	CANVAS	DIGITALLY PRINTED	AP-4 "COUNTRY"	FRAME
AP-5	WALL GRAPHIC, 36" X 48"	GRAPHICS VENDOR	CANVAS	DIGITALLY PRINTED	AP-5 "COUNTRY"	FRAME
AP-6	WALL GRAPHIC, 36" X 48"	GRAPHICS VENDOR	CANVAS	DIGITALLY PRINTED	AP-6 "COUNTRY"	FRAME
AP-7	WALL GRAPHIC, 36" X 48"	GRAPHICS VENDOR	CANVAS	DIGITALLY PRINTED	AP-7 "RED BEANS & RICE"	FRAME
AP-8	WALL GRAPHIC, 36" X 48"	GRAPHICS VENDOR	CANVAS	DIGITALLY PRINTED	AP-8 "WISCONSIN"	FRAME
AP-9	WALL GRAPHIC, 36" X 48"	GRAPHICS VENDOR	CANVAS	DIGITALLY PRINTED	AP-9 "SHEEPS"	FRAME
AP-10	WALL GRAPHIC, 36" X 48"	GRAPHICS VENDOR	CANVAS	DIGITALLY PRINTED	AP-10 "LOUISIANA KITCHEN"	FRAME
AP-11	WALL GRAPHIC, 36" X 48"	GRAPHICS VENDOR	CANVAS	DIGITALLY PRINTED	AP-11 "LOUISIANA KITCHEN"	FRAME
AP-12	WALL GRAPHIC, 36" X 48"	GRAPHICS VENDOR	CANVAS	DIGITALLY PRINTED	AP-12 "LOUISIANA KITCHEN"	FRAME

Mark	Location	Supplier / Manuf.	Material	Specification	Color	Finish
M-2	RESTROOM WALL	INTERCERAMIC	12" MESH SHEETS	3048 SS PATTRN / BORDER / MURL	MARQI GRAS CARNIVAL	6" STRIP
P-8	RESTROOM WALL	BENJAMIN MOORE	ACRYLIC LATEX	PRIME / PAINT	2159-30 "APPLE CRISP"	GOLD MELNIER
WS-1	RESTROOM WALL	MARLITE	FAUX WOODGRAIN	1 1/2" X 1 1/2" X 8'	148 MONTICELLO ANGRIE	12" X 12"
CR-1	CHAIR RAIL	SEATING VENDOR	4" X 1" SOLID MAPLE	STAN	5050 BLEND OF MOHAWK DARK FRUITWOOD STAIN #M645-D4047 & MOHAWK WIPING WOOD STAIN NATURAL #N45-0026	1 COAT VARNISHANE WATER BASED POLYURETHANE SEMI-GLOSS

Mark	Location	Supplier / Manuf.	Material	Specification	Color	Finish
G-1	RESTROOM WALL	CUSTOM BLDG PRDCT	GROUT	POLYBLEND	#145 LIGHT SMOKE	SANDED OR EPOXY BLEND
WS-1	RESTROOM WALL	MARLITE	FAUX WOODGRAIN	1 1/2" X 1 1/2" X 8'	148 MONTICELLO ANGRIE	12" X 12"
CR-1	CHAIR RAIL	SEATING VENDOR	4" X 1" SOLID MAPLE	STAN	5050 BLEND OF MOHAWK DARK FRUITWOOD STAIN #M645-D4047 & MOHAWK WIPING WOOD STAIN NATURAL #N45-0026	1 COAT VARNISHANE WATER BASED POLYURETHANE SEMI-GLOSS
CG-1	CORNER GUARDS	SEATING VENDOR	1" X 1" SOLID MAPLE	STAN	5050 BLEND OF MOHAWK DARK FRUITWOOD STAIN #M645-D4047 & MOHAWK WIPING WOOD STAIN NATURAL #N45-0026	1 COAT VARNISHANE WATER BASED POLYURETHANE SEMI-GLOSS
WC-1	WALL COVERING	GRAPHICS VENDOR	1 1/2" PINE TONSURE & GROOVE NATURAL PINE PLANKS	STAN, CLEAR	POPEYES SEAL AND NATURAL WOOD	2 COATS VARNISHANE WATER BASED POLYURETHANE SEMI-GLOSS
LP-30	CIRCULAR SUSPENDED BOFFIT	GRAPHICS VENDOR	METAL	AE-1 "LOUISIANA KITCHEN RING"		
W-1	KITCHEN WALLS	MARLITE	FRP SHEET	FRP	P100 - WHITE	PEBBLE FINISH
SW-1	WINDOW SILLS	SEATING VENDOR	SOLID MAPLE WOOD	STAN	5050 BLEND OF MOHAWK DARK FRUITWOOD STAIN #M645-D4047 & MOHAWK WIPING WOOD STAIN NATURAL #N45-0026	1 COAT VARNISHANE WATER BASED POLYURETHANE SEMI-GLOSS
ST-1	RESTROOM / KITCHEN DOORS	G.C.	BIRCH WOOD	STAN	5050 BLEND OF MOHAWK DARK FRUITWOOD STAIN #M645-D4047 & MOHAWK WIPING WOOD STAIN NATURAL #N45-0026	1 COAT VARNISHANE WATER BASED POLYURETHANE SEMI-GLOSS
HW-1	DOOR HARDWARE	G.C.	HARDWARE	ALL	SATIN NICKEL	SATIN

CEILING						
Mark	Location	Supplier / Manuf.	Material	Specification	Color	Finish
P-8	MENUBOARD BULKHEAD	BENJAMIN MOORE	ACRYLIC LATEX	PRIME / PAINT	2159-10 RACING ORANGE	1 COAT #012, PRIMER 2 COATS, ULTRA SPS, EGG-SHELL
P-9	RESTROOMS CEILING	BENJAMIN MOORE	ACRYLIC LATEX	PRIME / PAINT	1067 BLOND WOOD	1 COAT #012, PRIMER 2 COATS, ULTRA SPS, EGG-SHELL
ACOU-1	DINING ROOM CEILING	G.C. / USG INTERIORS	ACoustICAL TILE	24" X 24" X 5/8"	GLACIER	#707-SL SHADOW LINE
GRID-1	DINING GRID	G.C. / USG INTERIORS	15/16" EXPOSED GRID	DOMIN/DXL	WHITE	FLAT
ACOU-2	KITCHEN CEILING	G.C. / USG INTERIORS	GYPSUM LAY-IN	24" X 24" X 5/8"	SHEETROCK BRAND Gypsum VINE	SMOOTH
GRID-2	KITCHEN GRID	G.C. / USG INTERIORS	15/16" DUL-WEB HOT DRIPED GALV. STEEL	DOMIN/DXL	WHITE	FLAT

SERVICES COUNTERS						
Mark	Location	Supplier / Manuf.	Material	Specification	Color	Finish
SS-1	SERVICE COUNTER TOPS	LG HANUS AMERICA	H.M.C.	CAYENNE	GT 507	SMOOTH
PL-2	CABINETRY DOORS	FORMICA	LAMINATE	6025-03	PLANNED DELUXE PEARL	MATTE
M-1	FRONT COUNTER SURFACE	INTERCERAMIC	1 1/2" MESH SHEETS	3048 SS PATTRN / BORDER / MURL	MARQI GRAS CARNIVAL	6" STRIP
G-1	ACCENT TILE GROUT	CUSTOM BLDG PRDCT	GROUT	POLYBLEND	#145 LIGHT SMOKE	NON-SANDED OR EPOXY BLEND
ST-1	FRONT COUNTER TRIM	G.C.	MAPLE	STAN	5050 BLEND OF MOHAWK DARK FRUITWOOD STAIN #M645-D4047 & MOHAWK WIPING WOOD STAIN NATURAL #N45-0026	1 COAT VARNISHANE WATER BASED POLYURETHANE SEMI-GLOSS

SEATING / TABLES & DÉCOR						
Mark	Location	Supplier / Manuf.	Material	Specification	Color	Finish
LP99 & LP92	TABLE TOPS (L-GHT)	CECICA	LAMINATE	CRACATE	PLANNED DELUXE PEARL	MATTE
LP99 & LP92	TABLE BASE	SEATING VENDOR	STEEL	POWDER COATED	T20 - Chrome 1 Powder #011-01007	MATTE
TRM-1	TRIMMING	CHARTER INDUSTRIES	WIRE	1/8" X 3/8" X 48"	HW BEIGE	MATTE
SS-2	COUNTER TOP	LG HANUS AMERICA	H.M.C.	6025-03	PLANNED DELUXE PEARL	MATTE
SS-3	COUNTER TOP	LG HANUS AMERICA	H.M.C.	FERRY RED	S 28	SMOOTH
LP96	P-COUNTER BASE	FORMICA	LAMINATE	6025-03	DARK CHOCOLATE 2200	MATTE
		JOHNSONITE	COVE BASE (FACTORY APPLIED)	TOELESS #C61-40 08"	BROWN	
		INTERCERAMIC	1 1/2" MESH SHEETS	3048 SS PATTRN / BORDER / MURL	MARQI GRAS CARNIVAL	6" STRIP
		CUSTOM BLDG PRDCT	GROUT	POLYBLEND	#145 LIGHT SMOKE	NON-SANDED OR EPOXY BLEND
			STEEL	METAL	POWDER COATED	T20 - BLACK METAL POWDER #012-0003
LP101 & LP98	WALL PARTITION WITH BRACE RACK & WALL PARTITION	SEATING VENDOR	WOOD	MAPLE	5050 BLEND OF MOHAWK DARK FRUITWOOD STAIN #M645-D4047 & MOHAWK WIPING WOOD STAIN NATURAL #N45-0026	1 COAT VARNISHANE WATER BASED POLYURETHANE SEMI-GLOSS
		JOHNSONITE	COVE BASE (FACTORY APPLIED)	TOELESS #C61-40 08"	BROWN	
		FORMICA	LAMINATE	6025-03	PLANNED DELUXE PEARL	MATTE
LP10	CHAIR - RED W/ WOOD SEAT	SEATING VENDOR	METAL LEGS	METAL LEGS	PAL 3004 PULVERIZED TCM9540-30199R	
LP10	CHAIR - RED W/ WOOD SEAT	SEATING VENDOR	METAL MOLDDED MAPLE SEAT	MOLDDED WOODEN SEAT	SHERWIN-WILLIAMS RUEUSCIBLE #W145 STAN BROWN 8240YN2894-4358 3000Z WITH WATER AT 3:1 RATIO	1 COAT VARNISHANE WATER BASED POLYURETHANE SEMI-GLOSS
LP11	COUNTER STOOL	POLYSTYRENE	FIBERGLASS SEAT	ROCK ISLAND	POLYSTYRENE - PBL-C508 - RAINBOWS	FIBERGLASS SEAT & LEATHERED BACK PAD
LP12 & LP23	BOOTH	ARC COM	UPHOLSTERED BACK PAD	CONNECTIONS - URBAN	PAPRKA #10	MAKING STAIN RESISTANT FINISH ACRYLIC SACKING
		SEATING VENDOR	WOOD	MAPLE	5050 BLEND OF MOHAWK DARK FRUITWOOD STAIN #M645-D4047 & MOHAWK WIPING WOOD STAIN NATURAL #N45-0026	1 COAT VARNISHANE WATER BASED POLYURETHANE SEMI-GLOSS
		JOHNSONITE	COVE BASE (FACTORY APPLIED)	TOELESS #C61-40 08"	BROWN	

Mark	Location	Supplier / Manuf.	Material	Specification	Color	Finish
LL-1	PENDANT LIGHTS	HERMITAGE LIGHTING	RED GLASS CYLINDRICAL	PENDANT	SEE FIXTURE SCHEDULE	POLISH
LL-2	PENDANT LIGHTS	HERMITAGE LIGHTING	BLACK CYLINDRICAL	PENDANT	SEE FIXTURE SCHEDULE	LARGE
LP43 & LP45	TRASH RECEPTACLES	FORMICA	LAMINATE	H.M.C.	6302-43 ORANGE	PLANNED DELUXE PEARL MATTE

Mark	Location	Supplier / Manuf.	Material	Specification	Color	Finish
LP99 & LP92	TABLE TOPS (L-GHT)	CECICA	LAMINATE	CRACATE	PLANNED DELUXE PEARL	MATTE
LP99 & LP92	TABLE BASE	SEATING VENDOR	STEEL	POWDER COATED	T20 - Chrome 1 Powder #011-01007	MATTE
TRM-1	TRIMMING	CHARTER INDUSTRIES	WIRE	1/8" X 3/8" X 48"	HW BEIGE	MATTE
SS-2	COUNTER TOP	LG HANUS AMERICA	H.M.C.	6025-03	PLANNED DELUXE PEARL	MATTE
SS-3	COUNTER TOP	LG HANUS AMERICA	H.M.C.	FERRY RED	S 28	SMOOTH
LP96	P-COUNTER BASE	FORMICA	LAMINATE	6025-03	DARK CHOCOLATE 2200	MATTE
		JOHNSONITE	COVE BASE (FACTORY APPLIED)	TOELESS #C61-4		