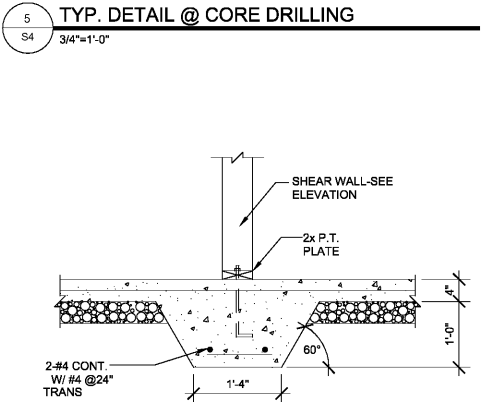
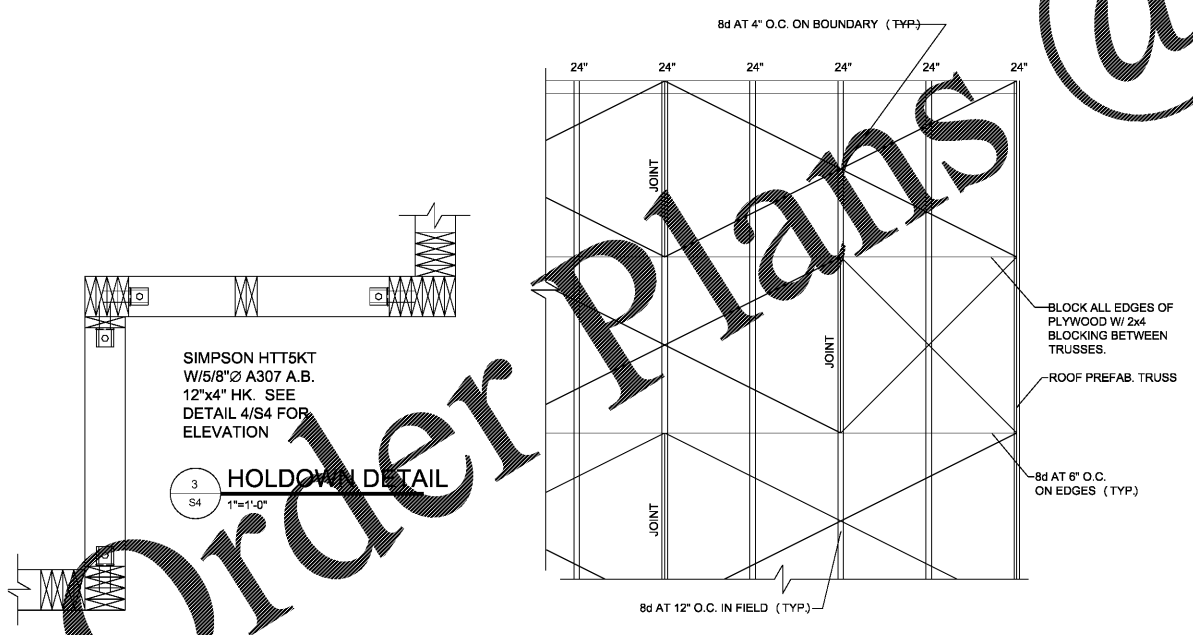
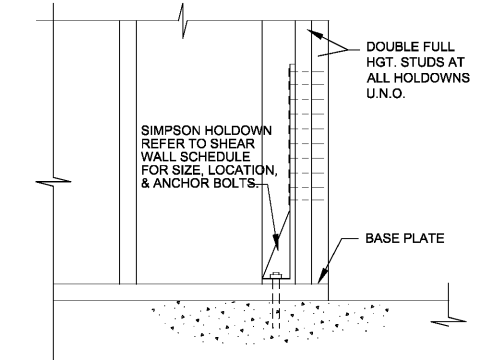
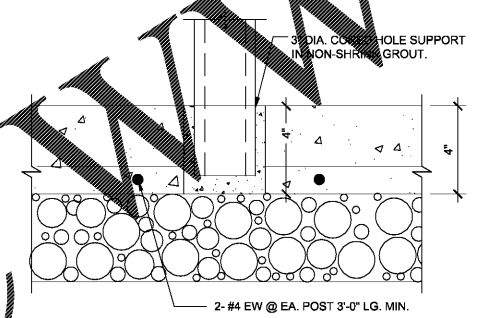


SHEAR WALL SCHEDULE

MARK	SIMPSON HOLD DOWN, EA. END	CONCRETE ANCHOR EACH END	SILL PLATE ANCHORS
(A)	HTT5KT	5/8"	5/8" x 12" @ 24" o.c.



- GENERAL NOTES**
- ALL WORK PERFORMED SHALL CONFORM TO ALL LOCAL BUILDING CODES AND ORDINANCES.
 - CONTRACTOR SHALL VERIFY ALL DIMENSIONS AT THE JOB SITE. IF NO DETAILS ARE SHOWN, SIMILAR DETAILS SHALL APPLY, AND ARCHITECT AND ENGINEER SHALL BE NOTIFIED IMMEDIATELY.
 - ALL CONCRETE SLABS ON GROUND SHALL BE REINFORCED W/ 8"x8" W1 4x14 WELDED WIRE MESH EXCEPT WHERE NOTED OTHERWISE. ASTM A-815 CONCRETE REINFORCING FIBERS BY FIBERMESH OR GRACE PRODUCTS MAY BE SUBSTITUTED FOR WWF. PROVIDE PER MANUFACTURER'S WRITTEN RECOMMENDATIONS.
 - CONCRETE FOOTINGS, SLABS ON GRADE AND MISCELLANEOUS WORK TO HAVE A 3000 PSI COMPRESSIVE STRENGTH AT 28 DAYS PER ACI 318.
 - ALL DOWELS, ANCHOR BOLTS, ETC. SHALL BE SECURELY HELD IN FORMS BEFORE PLACING OF CONCRETE.
 - ALL REINFORCING STEEL SHALL BE INTERMEDIATE GRADE DEFORMED BARS FROM TESTED STOCK. ASTM STD. A615 GRADE 60.
 - UNLESS OTHERWISE SHOWN, ALL SPLICES IN REINFORCING STEEL SHALL BE LAPPED 30 BAR DIAMETERS IN LENGTH AND SPLICED BARS SHALL BE SECURELY WIRED TOGETHER. WHERE POSSIBLE SPLICES SHALL BE STAGGERED.
 - SHOP DRAWINGS AND DETAILS TO BE APPROVED PRIOR TO INSTALLATION.
 - ALL WOOD SILLS ON CONCRETE SHALL BE PRESSURE TREATED "SOUTHERN YELLOW PINE."
 - THERE SHALL BE ONE BOLT WITHIN 9" OF EACH END OF EACH PIECE OF SILL UNLESS OTHERWISE NOTED WITH 1.5" DIA WASHERS. FOR BOLTS SIZE AND SPACING SEE SHEAR WALL SCHEDULE.
 - WINDOW MULLIONS TO BE CAPABLE OF RESISTING 35 LBS./SQ.FT. WIND LOAD PER CHAPTER 16 OF 1997 SBC. SHOP DRAWINGS AND DETAILS TO BE APPROVED PRIOR TO WINDOW INSTALLATION.

PREMIER CAJUN KINGS, LLC - POPEYES
 Near 431 Main St.
 Shorter, AL 36075
 LOUISIANA KITCHEN PLK DESIGN STANDARDS
 PLK1 1846-DL PROTOTYPE 48 SEATS / DUAL-LINE PRODUCTION



POPEYES

REVISIONS:
 PERMIT/BID SET 09.27.18

SHEAR WALL PLAN & DETAILS

S4

DATE: 9/27/2018
 CHECKED: KDG