

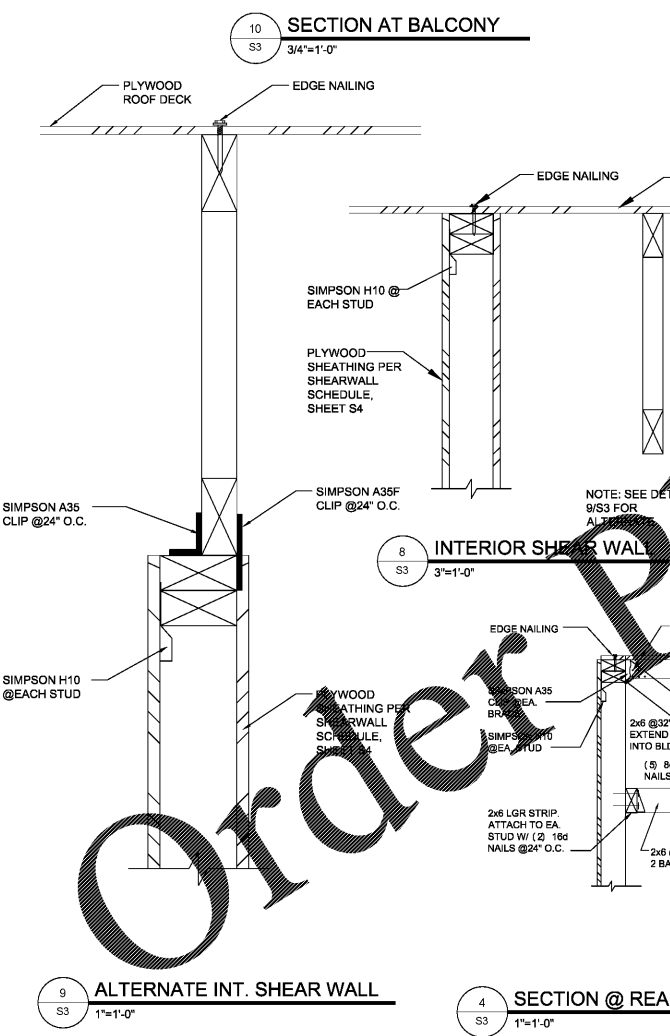
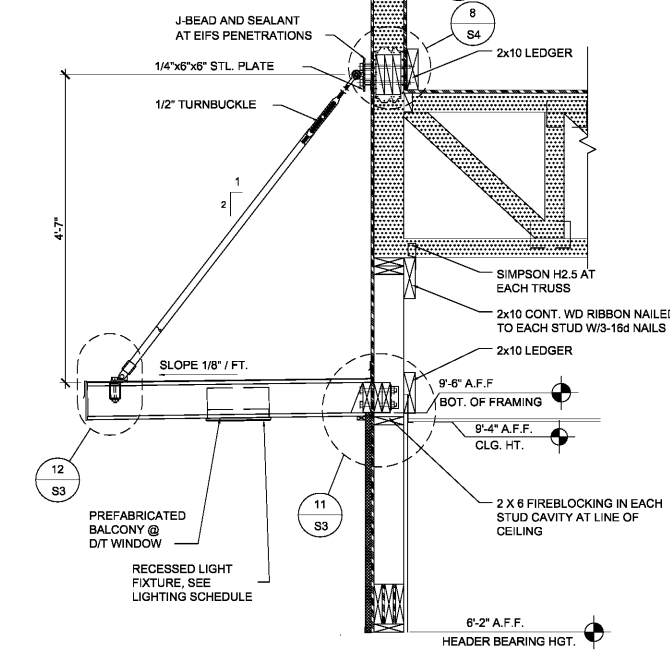
NOTE: TRUSS TO BE ORDERED 1" SHORT. 1/2" GAP BOTH SIDES



NOTE: HATCHING INDICATES PREFAB. WOOD TRUSS @ 24" O.C. TO BE DESIGNED PER LOADS ON SHEET S-2

PLATE SPLICES SHALL BE 4'-0" MIN SPACING W/ 16-16d EA SIDE BETWEEN PLATES

NOTE: HATCHING INDICATES PREFAB. WOOD TRUSS @ 24" O.C. TO BE DESIGNED PER LOADS ON SHEET S-2



Order Plans @ WWW.LDILINE.COM