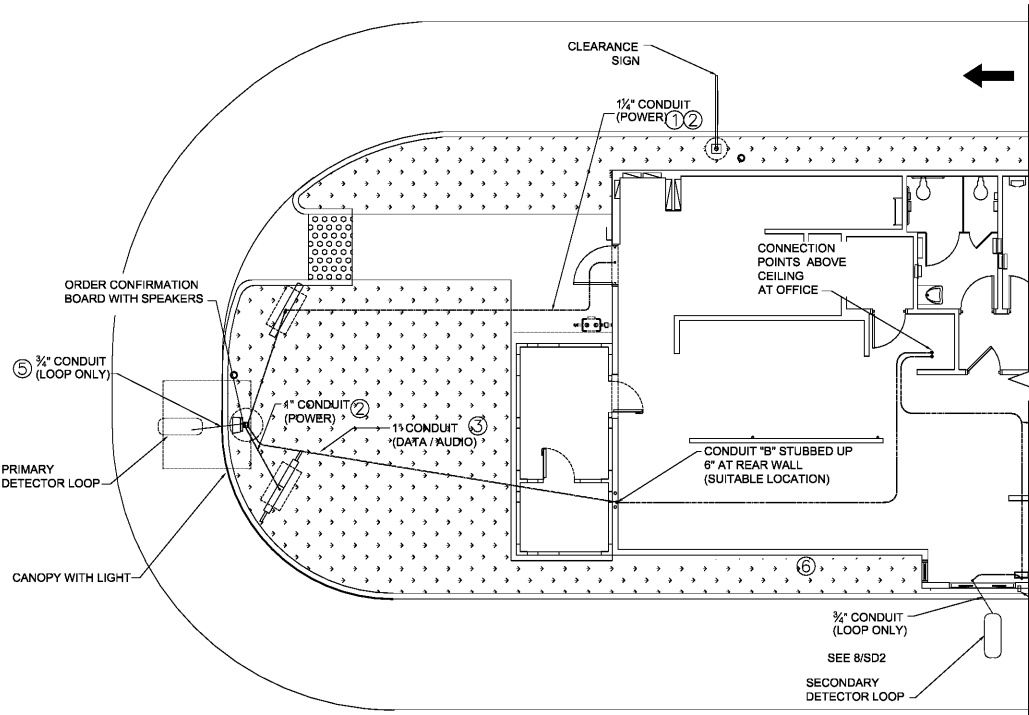


ORDER CONFIRMATION BOARD INSTALLATION

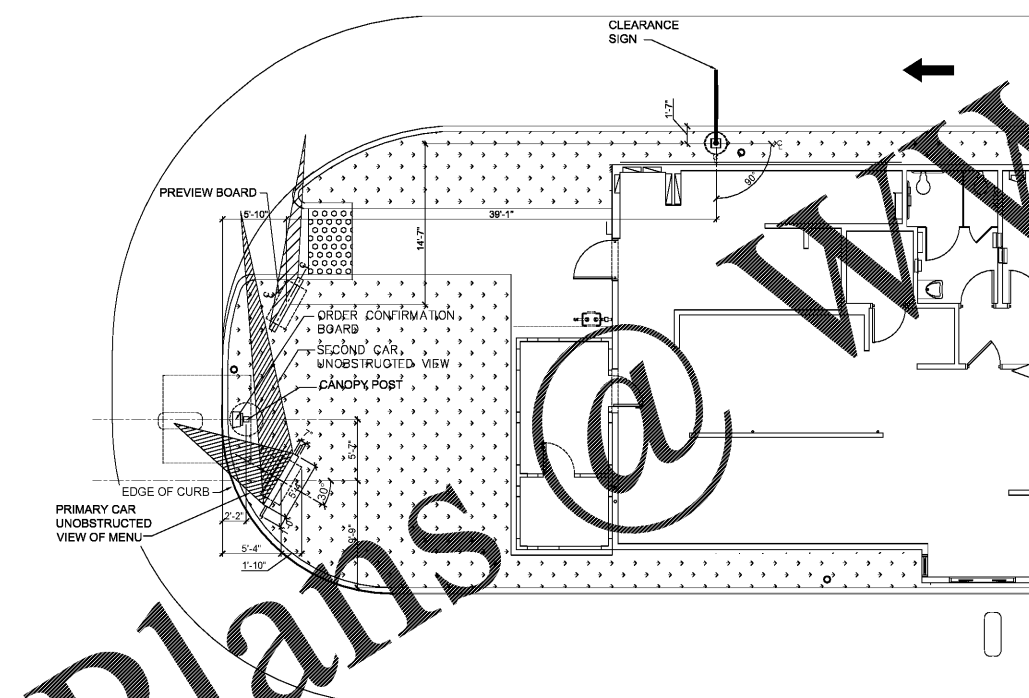
- PRIOR TO INSTALLATION CONFIRM ALL INSTALLATION REQUIREMENTS WITH THE SIGN AND MENU BOARD VENDORS.
- BEFORE THE OCB CAN BE INSTALLED THERE ARE CERTAIN REQUIREMENTS, WHICH ARE DETAILED BELOW:
 - CONCRETE BASE HAS TO BE POURED, CURED AND PROPERLY SET IN PLACE.
 - THE DIMENSIONS OF THE BASE NEED TO BE A MINIMUM OF:
 - 24 INCHES DEEP
 - 24 INCHES LONG
 - 32 INCHES WIDE
- THE FOUR ANCHOR BOLTS (INCLUDED WITH THE OCB) NEED TO BE INSERTED TO FORM A RECTANGLE 13.6 INCHES BY 6.7 INCHES THE LONG SIDE OF WHICH IS PARALLEL TO THE LONGEST SIDE OF THE CONCRETE BASE. THE FRONT TWO BOLTS NEED TO BE DRILLED 9.4 INCHES FROM THE CURB EDGE TO COMPLY WITH THE REQUIREMENTS THAT THE OCB SCREEN BE 11.8 INCHES FROM THE CURB EDGE.
- THERE ARE FOUR HOLES SET OUT FOR YOU. ENSURE EACH HOLE IS 7.9 INCHES DEEP AND 0.6 INCHES IN DIAMETER. DRILL OUT IF THE CONCRETE HAS FILLED IN.
- WITHIN THESE HOLES 4 ANCHOR BOLTS (INCLUDED WITH THE OCB) NEED TO BE SECURED WITH 2-PACK RESIN/ADHESIVE (INCLUDED WITH THE OCB) WHICH SHOULD COMPLETELY FILL EACH HOLE.
- THE ANCHOR BOLTS ARE 11.8 INCHES IN LENGTH AND 0.5 INCHES IN DIAMETER.
- THE ANCHOR BOLTS SHOULD PROTRUDE 3.9 INCHES FROM GROUND LEVEL IN ORDER TO MOUNT THE OCB PROPERLY.
- THE ADHESIVE SHOULD BE ALLOWED TO SET FOR 30 MINUTES BEFORE MOUNTING THE OCB.
- TWO (2) 1 INCH DIAMETER CONDUITS NEED TO OPEN IN THE CENTER OF THE RECTANGLE FORMED BY THE ANCHOR BOLTS TO CARRY:
 - MAIN POWER
 - WIRE PLENUM VGA; AUDIO CABLE; RG59 CABLE FOR CAMERA
- THE CONDUITS NEED TO BE A MINIMUM OF 1 INCH IN DIAMETER IN ORDER TO HOLD ALL THE REQUIRED CABLING. THERE CAN BE NO BREAKS IN THE CONDUIT AND A FLEXIBLE CONDUIT MUST BE USED. THIS MUST RUN FROM THE OCB BOX TO THE STORE - COMPLETE. DRAW WIRES ARE TO BE LEFT IN EACH CONDUIT. ONCE THE CONDUITS HAVE BEEN LAID, AND THE BASE IS FORMED AND SET IN PLACE AS SHOWN PLEASE ENSURE YOU BAG THE ENDS OF THE CONDUIT TO ENSURE NO MOISTURE OR CONCRETE RUNS DOWN THE CONDUIT.
- THE MAIN POWER IS TO BE TRENCHED BACK AND RUN THROUGH CONDUIT TO THE RESTAURANT AND THEN TO THE MAIN POWER DISTRIBUTION BOARD. THE POWER CABLE SHOULD BE RUN IN ITS OWN CONDUIT SEPARATE FROM ALL OTHER COMMUNICATIONS CABLES. IF THE CABLES ARE TO BE RUN UP THE WALL THEN 1 INCH X 1 INCH GALVANIZED TRUNKING SHOULD BE USED. ENTRY TO THE BUILDING IS BEST TO BE MADE AT CEILING LEVEL.
- THE VGA AND AUDIO CABLES SHOULD BE RUN IN THE SECOND ONE-INCH DIAMETER CONDUIT. THEY SHOULD BE TRENCHED AND RUN INTO THE RESTAURANT AS DOCUMENTED. DO NOT RUN POWER AND COMMUNICATION CABLES IN THE SAME CONDUIT!
- THE ROAD INDUCTION LOOP (ONE 1 INCH DIAMETER FLEXI-TUBING) IS TO BE SET INTO THE DT LANE. WITH THE RETURN CABLE ALSO COMING OUT IN THE CENTER OF THE OCB BASE WITH THE 2 OTHER CONDUITS.

UTILITY NOTES: GENERAL

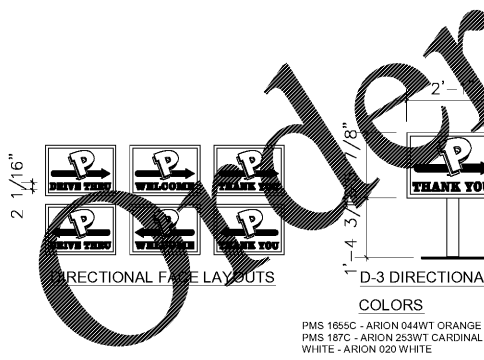
- ALL UTILITY CONSTRUCTION SHALL CONFORM TO THE LOCAL UTILITIES DEPARTMENT STANDARDS AND SPECIFICATIONS, AND WILL BE SUBJECT TO THEIR INSPECTION AND ACCEPTANCE.
- THE LOCATION OF EXISTING UTILITIES SUCH AS WATER MAINS, SEWERS, GAS LINES, ETC., AS SHOWN ON THE PLANS HAVE BEEN DETERMINED FROM THE BEST AVAILABLE INFORMATION AND IS GIVEN FOR THE CONVENIENCE OF THE CONTRACTOR. CONTRACTOR SHALL ASSUME RESPONSIBILITY FOR THE ACCURACY OF THE LOCATED IN THE FIELD PRIOR TO START OF CONSTRUCTION.
- THE CONTRACTOR SHALL IMMEDIATELY NOTIFY THE ENGINEER OF RECORD OF ANY DISCREPANCIES FOUND BETWEEN THE PLANS AND FIELD CONDITIONS PRIOR TO START OF CONSTRUCTION.
- THE CONTRACTOR SHALL COORDINATE ALL WORK WITH THE EXISTING UTILITY EASEMENT.
- CONTRACTOR SHALL INSPECT PIPING AND MATERIALS BEFORE INSTALLATION TO DETECT APPARENT DEFECTS.
- CLEAR INTERIOR OF PIPE OF DIRT AND OTHER SUPERFLUOUS MATERIAL AS WORK PROGRESSES. MAINTAIN SWAB OR DRAG IN LINE AND PULL PAST EACH JOINT AS IT IS COMPLETED. PLACE PLUGS IN ENDS OF UNCOMPLETED CONDUIT WHENEVER WORK STOPS.
- MAINTAIN MINIMUM COVER AND SPACING PER LOCAL CODES.
- WHERE APPLICABLE, UTILITY TRENCHES CROSSING PAVEMENT AREAS SHALL BE BACK FILLED WITH COMPACTED GRANULAR MATERIAL IN ACCORDANCE WITH A.S.H.T.O.-T-99
- CONTRACTOR SHALL VERIFY THAT EXTERIOR SIGNS, OCB AND CANOPIES COME COMPLETE WITH ALL ELECTRICALS INSTALLED FOR COMPLETE INSTALLATION.
- CONTRACTOR SHALL VERIFY THE VENDOR'S INSTALLATION REQUIREMENT FOR THE MENU BOARD AND PREVIEW BOARD.



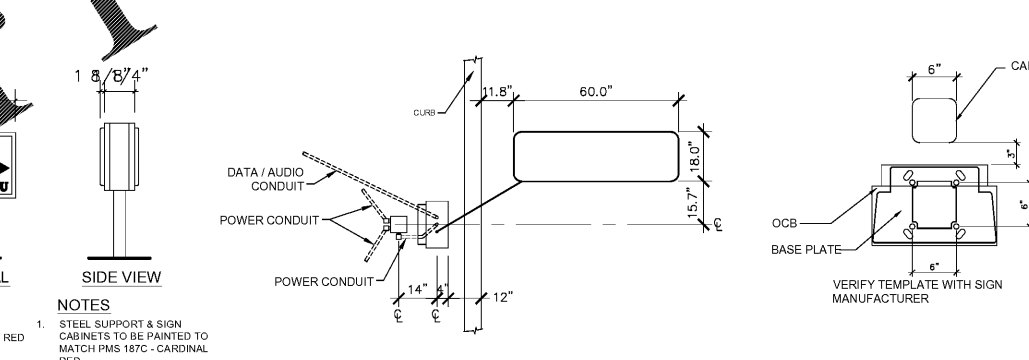
1 DRIVE-THRU CONNECTIONS
SD2 1/8"=1'-0"



2 BOARD INSTALLATIONS
SD2 1/8"=1'-0"



7 DIRECTIONAL SIGN
SD2 NTS

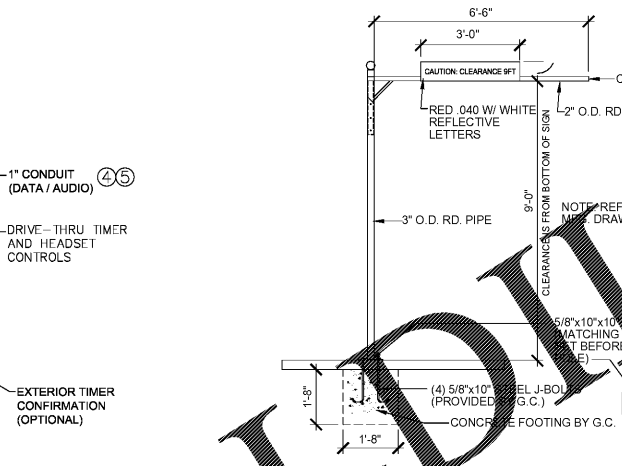


8 LOOP & POST CONDUITS
SD2 3/8"=1'-0"

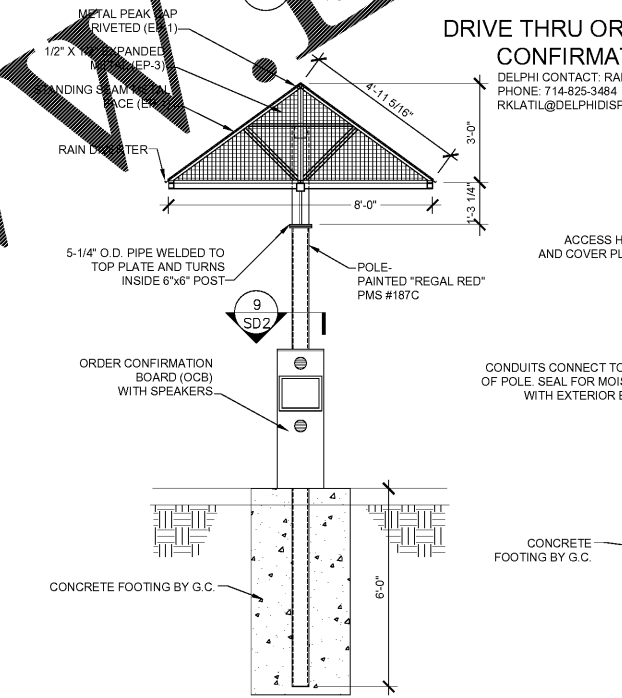
9 OCB BASE DETAIL
SD2 1"=1'-0"

CONNECTION -- COORDINATE W/ ELECTRICAL DRAWINGS

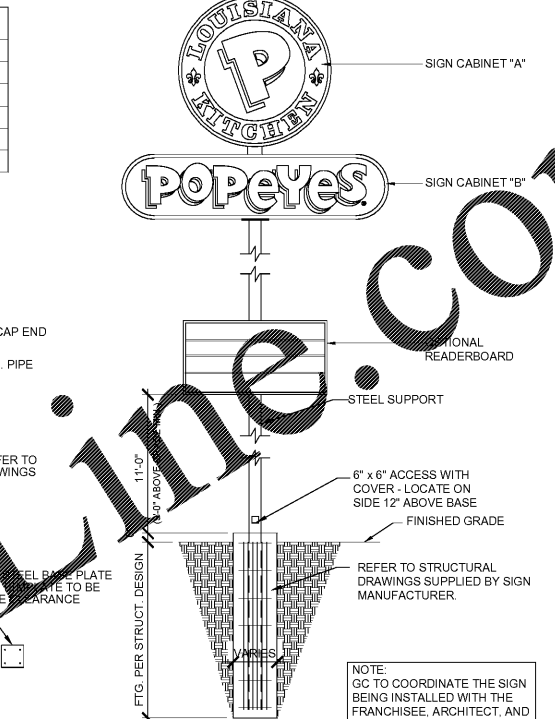
1	DEDICATED 120V SINGLE PHASE CONSTANT POWER TO OCB
2	120V SINGLE PHASE POWER FOR CANOPY LIGHTS, MENUBOARD AND PREVIEW BOARD
3	OCB DATA AND SPEAKER CABLES CONNECT TO POS RACK IN OFFICE (PULL WITHOUT CONNECTORS)
4	AUDIO CABLES FOR SPEAKERS CONNECT TO MAIN UNIT AT THE DRIVE-THRU WINDOW
5	PRIMARY DETECTOR LOOP WIRE CONNECTS
6	SECONDARY DETECTOR LOOP CONNECTS TO POS THROUGH TIMING SYSTEM



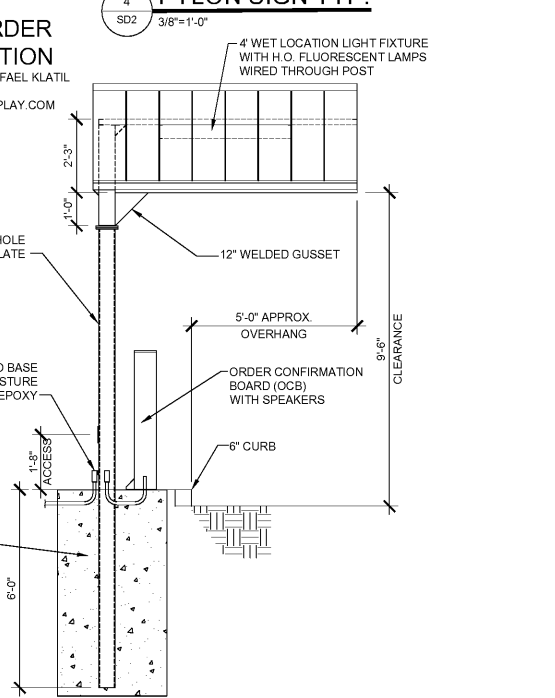
3 CLEARANCE POLE
SD2 3/8"=1'-0"



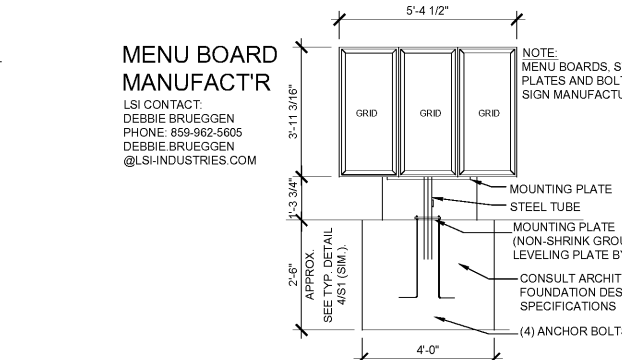
5 MENUBOARD CANOPY
SD2 3/8"=1'-0"



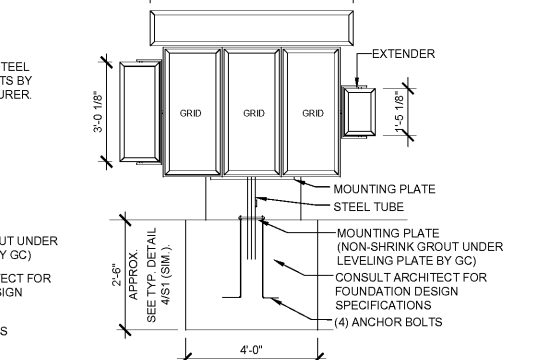
4 PYLON SIGN TYP.
SD2 3/8"=1'-0"



6 MENU BOARD CANOPY
SD2 3/8"=1'-0"



10 PREVIEW BOARD
SD2 3/8"=1'-0"



11 MENUBOARD W/ TOPPER
SD2 3/8"=1'-0"

POPEYES
400 PERIMETER CENTER TERRACE
SUITE 100
ATLANTA, GA 30308
404-455-4650

LOUISIANA KITCHEN
REGISTERED ARCHITECT
ERIC M. HOPKINSON
10.30.18

Shendon Huckestein Architects, PC
architecture - planning - interior design
2124 Morris Avenue Birmingham, AL 35203
Phone (205) 322-1751
Fax (205) 322-1778
email info@shuck.com
www.shuck.com

DRAWN BY: DS
CHECKED BY: MRW, EH
DATE: 10.30.2018
HHA PROJECT #18064.1.4

PREMIER CAJUN KINGS, LLC - POPEYES
Near 431 Main St.
Shorter, AL 36075
LOUISIANA KITCHEN PLK DESIGN STANDARDS
PLK 1846-DL PROTOTYPE 46 SEATS / DUAL-LINE PRODUCTION

LOUISIANA KITCHEN

POPEYES

REVISIONS

PERMIT/BID SET	10.30.18
----------------	----------

DATE: 10/18/2018

CHECKED: MW