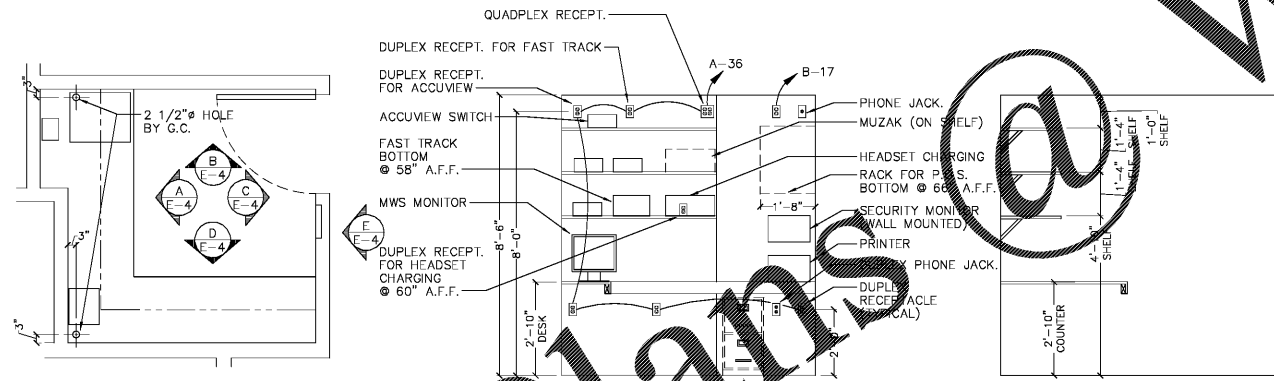


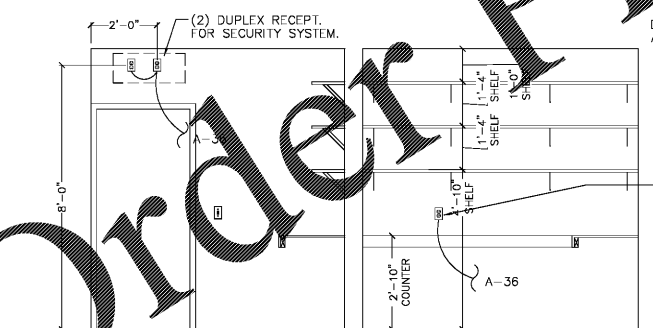
**TECHNOLOGY PLAN**  
SCALE: 1/4" = 1'-0"



**OFFICE PLAN**  
SCALE: 3/8" = 1'-0"

**A ELEVATION**  
SCALE: 3/8" = 1'-0"

**B ELEVATION**  
SCALE: 3/8" = 1'-0"



**C ELEVATION**  
SCALE: 3/8" = 1'-0"

**D ELEVATION**  
SCALE: 3/8" = 1'-0"

**E ELEVATION**  
SCALE: 3/8" = 1'-0"

NOTE: G.C. TO VERIFY POWER AND DATA REQUIREMENTS WITH OWNERS EQUIPMENT VENDORS.

**GENERAL NOTES:**

- A. CONTRACTOR TO VERIFY WHICH SYSTEM IS TO BE INSTALLED. REQUIREMENTS CAN VARY DEPENDING ON MANUFACTURER. THE CONTRACTOR IS CAUTIONED TO VERIFY ALL REQUIREMENTS PRIOR TO CONSTRUCTION.
- B. CONTRACTOR TO PROVIDE ALL RECEPTACLE OUTLETS, CONDUITS AND J-BOXES AS INDICATED ON PLAN.
- C. CONTRACTOR TO VERIFY AND COORDINATE LOCATION OF VIDEO DISPLAY DEVICES W/ BURGER KING REPRESENTATIVE.
- D. MAINTAIN P.O.S. CABLES A MIN. OF 12" AWAY FROM ANY FLUORESCENT LIGHT SOURCES ABOVE CEILING.
- E. ELECTRICAL CONTRACTOR TO IDENTIFY P.O.S. JUNCTION BOXES ABOVE CEILING "GROUND P.O.S. ONLY".

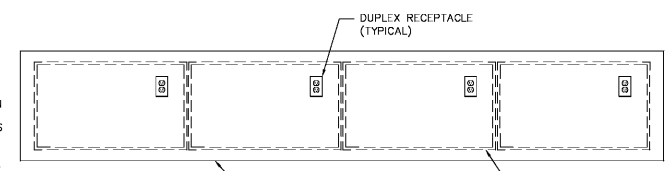
**KEYED PLAN NOTES:**

- 1 DISPLAY #1 AND BUMP BAR. PROVIDE 4" CONDUIT FOR VIDEO, BUMP BAR AND PRINTERS. PROVIDE CEILING MOUNTED RECEPTACLES. (TYPICAL FOR DISPLAY #1, #2 AND #3)
- 2 DISPLAY #2 AND BUMP BAR
- 3 DISPLAY #3 AND BUMP BAR
- 4 STOCK LEVEL LIGHT CONTROLLER @ 60" A.F.F.
- 5 TOTAL SERVICE TIME DISPLAY
- 6 GRADE DISPLAY
- 7 CLOCK-RECEPT. IN CHASE
- 8 STOCK LEVEL DISPLAY RECEPT. IN CHASE
- 9 EQUIPMENT MOUNTED RECEPTACLES BY K.E.S. CIRCUITING RUNS BY E.C.
- 10 J-BOX W/ 3/4" CONDUIT @ 84" A.F.F.
- 11 CEILING MOUNTED D/T TIMER WINDOW TIME DISPLAY
- 12 90" A.F.F. FOR D/T LAND MONITOR.
- 13 P-RING @ 24" A.F.F. W/ 1" CONDUIT TO ABOVE CEILING.
- 14 J-BOX W/ 1" CONDUIT TO CLG. FOR PHU DATA TABLE. (LOCATE NEXT TO DISPLAY RECEPT.)
- 15 SECURITY CAMERA (TYPICAL)
- 16 SECURITY MONITOR (TYPICAL)

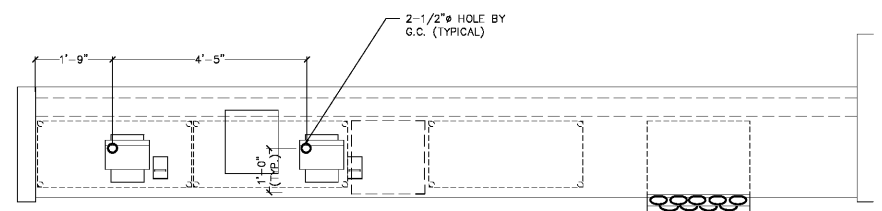
SYMBOL LEGEND	
DETAIL	DESCRIPTION
⊕	DUPLEX 125V-20A-2 POLE-3 WIRE STRAIGHT BLADE RECEPTACLE OUTLET - WALL MTD. (24" A.F.F. - U.O.N.)
⊖	SINGLE 125V-20A-2 POLE-3 WIRE STRAIGHT BLADE RECEPTACLE OUTLET - WALL MTD. (24" A.F.F. - U.O.N.)
⊥	DRYWALL P-RING
⊞	BUMP-BAR
⊞	TELEPHONE OUTLET FOR P.O.S. MODEM (ALL OUTLETS HOMERUN IN 3/4" CONDUIT TO TELEPHONE BACKBOARD) MOUNT 96" A.F.F.
⊞	P.O.S. PRINTER DEVICE
⊞	P.O.S. REGISTER DEVICE
⊞	VIDEO DISPLAY DEVICE (CEILING MTD.)
⊞	SECURITY CAMERA "PRIVACY" CONTACT: LARSEN ELECTRIC, 904-581-1756
⊞	SECURITY MONITOR BY VIDEO-EQUIPMENT CONTACT: VIDEO-EQUIPMENT, 904-844-1111 (VERIFY) CONTACT TO E.C. FOR CIRCUITING

**NOTES:**

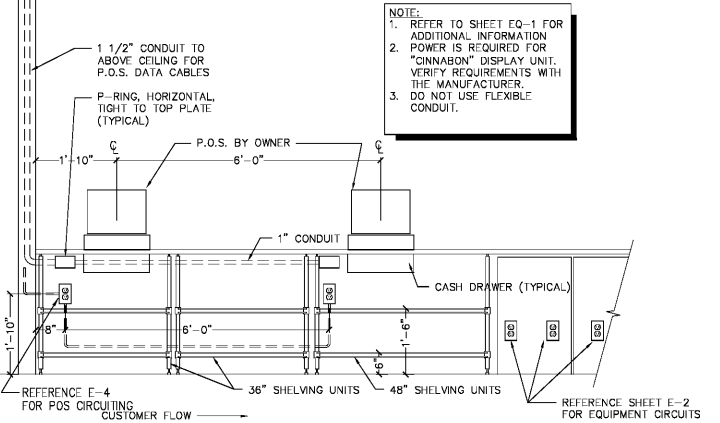
- 1. DUPLEX RECEPTACLE SCREEN
- 2. (1) P-RING PER SCREEN WITH 1" CONDUIT TO ABOVE CEILING. DATA CABLE TO RUN TO MEDIA PLAYER(S) IN OFFICE
- 3. VERIFY NUMBER OF SCREENS USED (3 OR 4) PRIOR TO INSTALLATION OF RECEPTACLES AND P-RINGS. DETERMINE SCREEN AND MOUNTING BRACKET MODELS PRIOR TO INSTALLATION OF RECEPTACLES AND P-RINGS. REFER TO SHEET E-2. POWER PLAN FOR CIRCUITING REQUIREMENTS.



**DIGITAL MENU BOARD INSTALLATION**  
SCALE: 1/2" = 1'-0"



**SERVICE COUNTER PLAN**  
SCALE: 1/2" = 1'-0"



**B KITCHEN SIDE COUNTER ELEVATION**  
SCALE: 1/2" = 1'-0"

NOTE: REFER TO SHEET EQ-1 FOR ADDITIONAL INFORMATION

- 1. REFER TO SHEET EQ-1 FOR ADDITIONAL INFORMATION
- 2. POWER IS REQUIRED FOR "CINNABON" DISPLAY UNIT. VERIFY REQUIREMENTS WITH THE MANUFACTURER.
- 3. DO NOT USE FLEXIBLE CONDUIT.

WWW.LDLINE.COM

Order Plans

DATE: 10/25/18  
DRAWN BY: DBM  
NO. 10/25/18  
CHECKED BY: W. J. VISION  
RELEASED FOR CONSTRUCTION & BID



PREMIER KINGS, INC.  
5529 CANNONCHASE ROAD  
MONTGOMERY, ALABAMA 36117  
PHONE: (205) 833-1111  
LINDSEY@BKALABAMA.COM

2124 Morris Avenue  
Birmingham, AL 35203  
Phone: (205) 322-1751  
Fax: (205) 322-1778  
email: info@huckestein.com  
www.huckestein.com

**hendson huckestein architects, PC**  
architecture • planning • interior design



PROJECT: # 180261.8  
ROC-60 20/20 IMAGE: APRIL 2015 DESIGN RELEASE  
**BURGER KING RESTAURANT**  
SHORTER, AL  
TECHNOLOGY PLAN