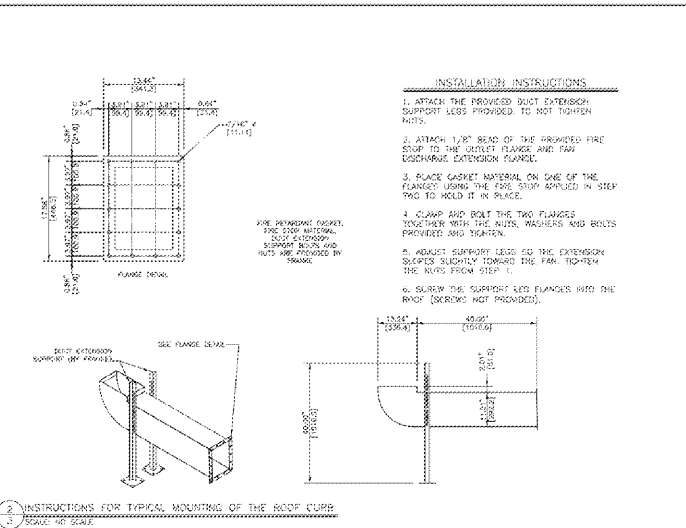


1. THE EXHAUST DUCT COLLAR IS LOCATED IN THE CENTER OF THE HOOD AND 13.82" FROM KITCHEN WALL SHEET ROCK TO THE CENTER OF THE DUCT.
2. PROJECT THE CENTERLINE DIMENSION TO THE ROOF AND CUT A (20" MAXIMUM DIAMETER OR 20"X20" SQUARE) HOLE AT THE DIMENSION.
3. THE CURB IS SET PARALLEL TO THE PARAPET WALL AS PER THE ILLUSTRATION ON THIS SHEET.
4. PER THE DIAGRAM IN DETAIL 9 ON SHEET 2, THE EXHAUST FAN DISCHARGES HORIZONTALLY AWAY FROM THE PARAPET WALL.
5. FACING THE PARAPET WALL WITH THE FAN CURB IN FRONT OF YOU, THE LEFT EDGE OF THE ROOF CURB SHOULD BE 10-1/4" FROM THE LEFT (2" = 1/2") 3/4" FROM THE RIGHT) OF THE CENTERLINE OF THE HOLE IN THE ROOF.
6. ATTACH THE ROOF CURB TO THE ROOF WITH THE CORRECT TYPE AND QUANTITY OF SCREWS THROUGH THE CURB FLANGE.

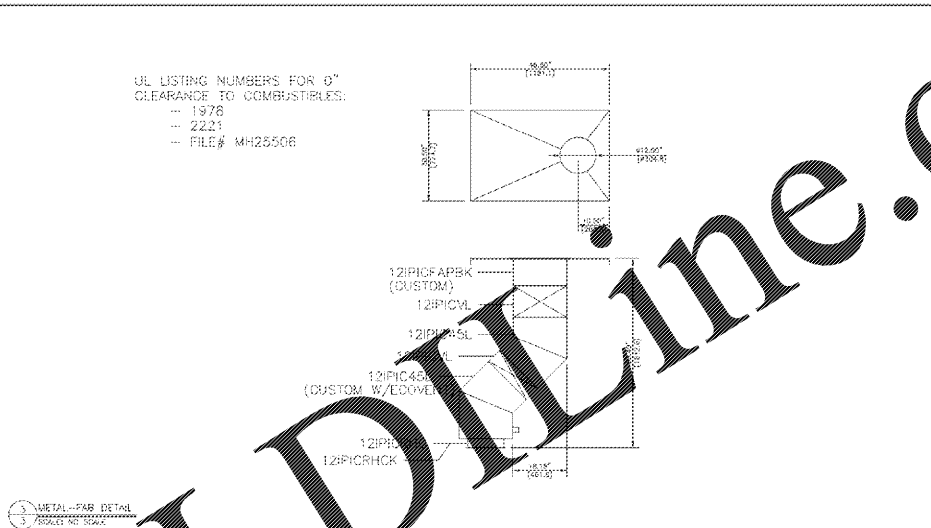
**CAUTION!**  
DO NOT INSTALL THE EXHAUST FAN UNTIL THE DUCT IS INSTALLED!

1 INSTRUCTIONS FOR TYPICAL MOUNTING OF THE ROOF CURB SCALE: 1/8"=1'-0"



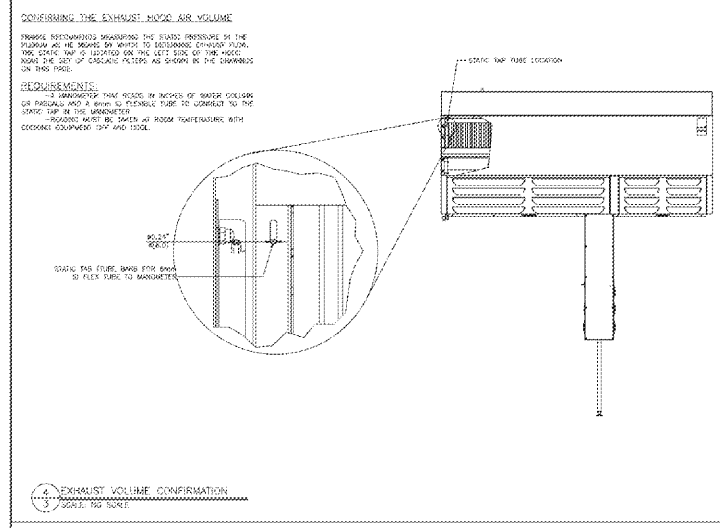
- INSTALLATION INSTRUCTIONS**
1. ATTACH THE PROVIDED DUCT EXTENSION SUPPORT LEGS PROVIDED TO NOT TIGHTEN NUTS.
  2. ATTACH 1/8" BEAD OF THE PROVIDED FIRE STOP TO THE OUTLET FLANGE AND FAN LOGGING THE EXTENSION FLANGE.
  3. PLACE CABINET MATERIAL ON ONE OF THE FLANGES USING THE FIRE STOP APPLIED IN STEP TWO TO HOLD IT IN PLACE.
  4. CLAMP AND BOLT THE TWO FLANGES TOGETHER WITH THE NUTS, WASHERS AND BRISLS PROVIDED AND TIGHTEN.
  5. ADJUST SUPPORT LEGS TO THE EXTENSION SQUARELY TOWARD THE FAN. TIGHTEN THE NUTS FROM STEP 1.
  6. SUREW THE SUPPORT LEG FLANGES INTO THE ROOF (SERRING NOT PROVIDED).

2 INSTRUCTIONS FOR TYPICAL MOUNTING OF THE ROOF CURB SCALE: 1/8"=1'-0"



UL LISTING NUMBERS FOR 6" CLEARANCE TO COMBUSTIBLES:  
 -- 1976  
 -- 2221  
 -- FILE# MH25506

3 METAL-FAN DETAIL SCALE: 1/8"=1'-0"



4 EXHAUST VOLUME CONFIRMATION SCALE: 1/8"=1'-0"

**CONTROL MATRIX**

IF	THEN				NOTES
CONDITION	EXHAUST FAN	ELECTRICAL POWER TO EXHAUST FAN	MELTING POINT VALVE	SMALL-UP AIR DAMPERS OF EXHAUSTERS	NOTES
FAN SWITCH IS TURNED ON	ON	ON	ON	ON	BE ON TO START THE FAN
FAN SWITCH IS TURNED OFF	OFF	OFF	ON	ON	BE ON TO STOP THE FAN
FIRE SUPPRESSION DISCHARGES	ON	OFF	OFF	OFF	POWER TO EXHAUST FAN IS OFF
FAN BELT IS SLIPPING	ON	OFF	ON	ON	POWER TO EXHAUST FAN IS OFF
FAN BELT IS BROKEN	ON	OFF	ON	ON	POWER TO EXHAUST FAN IS OFF
LOSS OF POWER	OFF	OFF	ON	OFF	POWER TO EXHAUST FAN IS OFF
WVAC IS SWITCHED OFF	OFF	OFF	ON	OFF	POWER TO EXHAUST FAN IS OFF

5 CONTROL MATRIX SCALE: 1/8"=1'-0"

Revision #	Date	Description
B	12/18/14	D-SIZE ADDITION



Frank's Foodservice Systems, Inc.  
 600 Auden Parkway  
 Smyrna, TN USA 37177  
 Tel: +1 615 421 2800  
 frank@frankssystems.com  
 frankssystems.com

**BURGER KING**  
 #  
 91" COMBO HOOD  
 INSTALLATION DETAILS

Site Address: \_\_\_\_\_  
 City: \_\_\_\_\_  
 State: Sp-0000 Country: \_\_\_\_\_  
 Project: \_\_\_\_\_  
 Building Type: \_\_\_\_\_  
 Electrical Service (volt): \_\_\_\_\_  
 Gas Service (psi): \_\_\_\_\_  
 Manual Monitor: \_\_\_\_\_  
 Project Number: \_\_\_\_\_  
 Project Owner: \_\_\_\_\_  
 Consultant: \_\_\_\_\_  
 VENDOR: \_\_\_\_\_  
 Model No.: 12198201-4  
 Position No.: 12198201  
 Drawing Title: AS NOTED  
 Scale: 1/8"=1'-0"  
 Drawing Number: \_\_\_\_\_  
 Sheet No.: \_\_\_\_\_

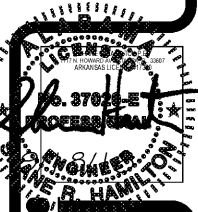
**Shane R. Hamilton P.E.**  
 CONSULTING ENGINEER  
 1717 N. Howard Avenue  
 Tampa, FL 33607 (813) 251-6848

6.23.17

NO.	DATE	REVISION



**CAMBRIDGE**  
**FRANCHISE**  
**HOLDINGS**



STORE # \_\_\_\_\_  
 ROC-40 20/20 MAGE, SEPTEMBER, 2016 DESIGN RELEASE  
**BURGER KING RESTAURANT**  
 OFF OF I-40, THEN MAYBELLINE RD.  
 GALLOWAY, AR  
 EXHAUST RISER DETAILS