

**Shane R. Hamilton P.E.**  
CONSULTING ENGINEER  
1717 N. Howard Avenue  
Tampa, FL 33607 (813) 251-6848

CHECKED BY: [Signature]  
DATE: 09/15/18  
NPI: [Number]  
RELEASED FOR CONSTRUCTION & BID



PREMIER KINGS, INC.  
5520 CARMICHAEL ROAD  
MONTICNEY, ALABAMA 36117  
PHONE: [Number]  
UNISECT@KALABAMA.COM

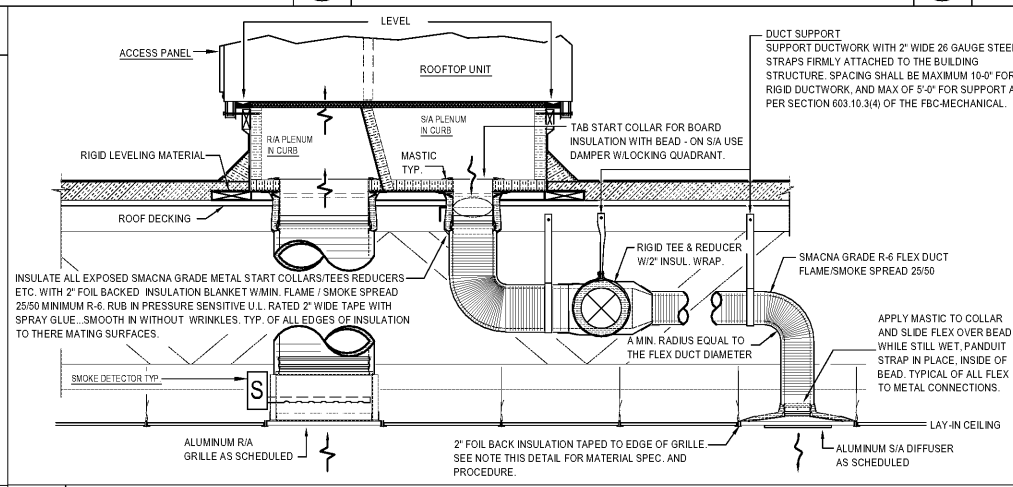
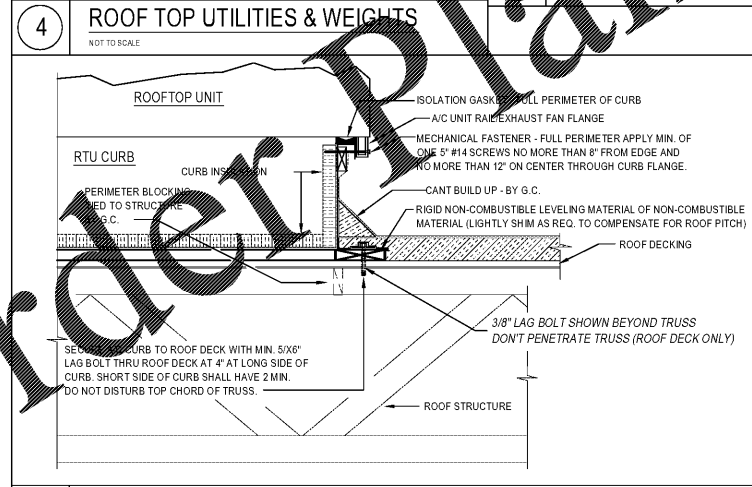
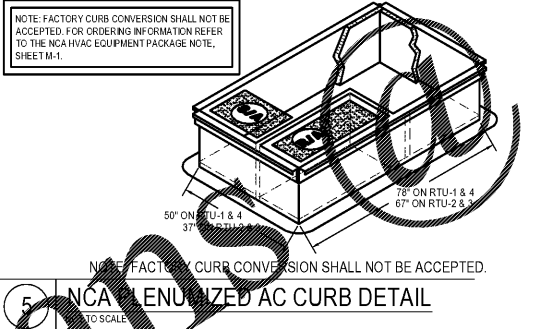
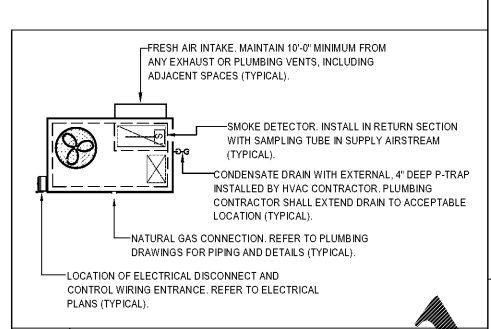
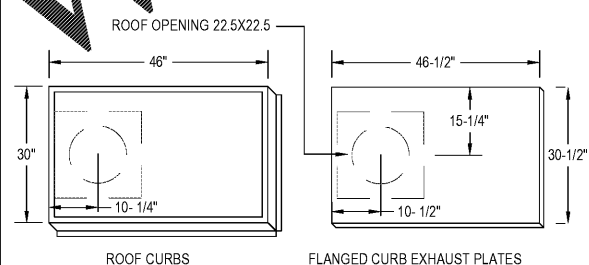
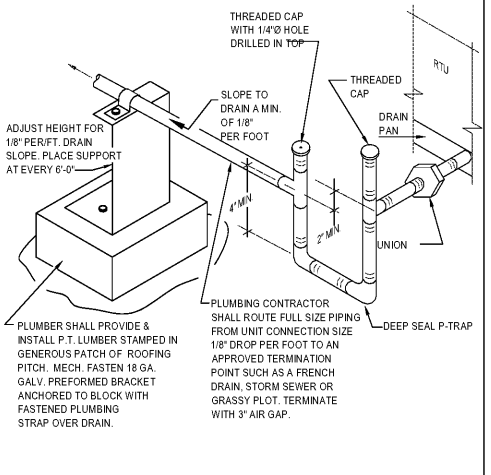
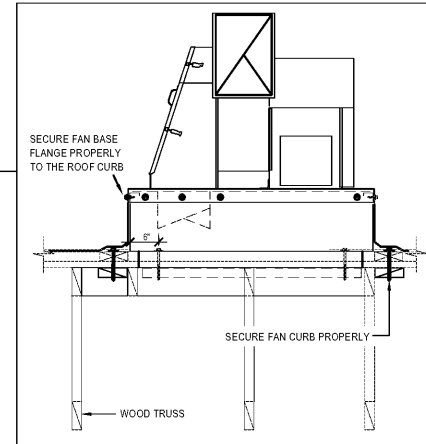
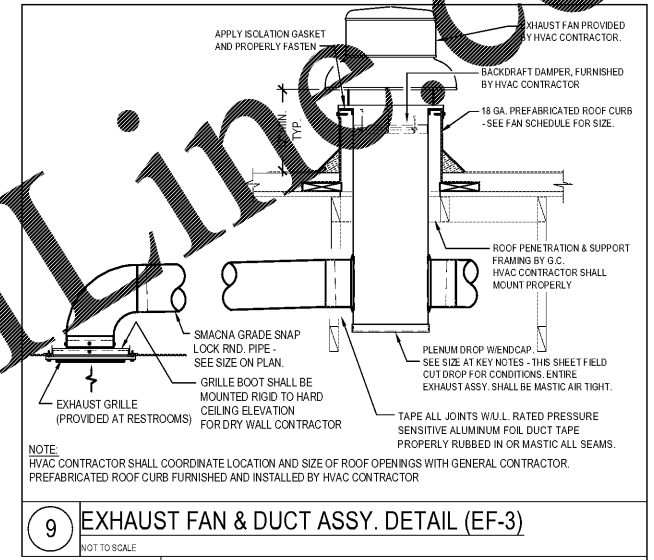
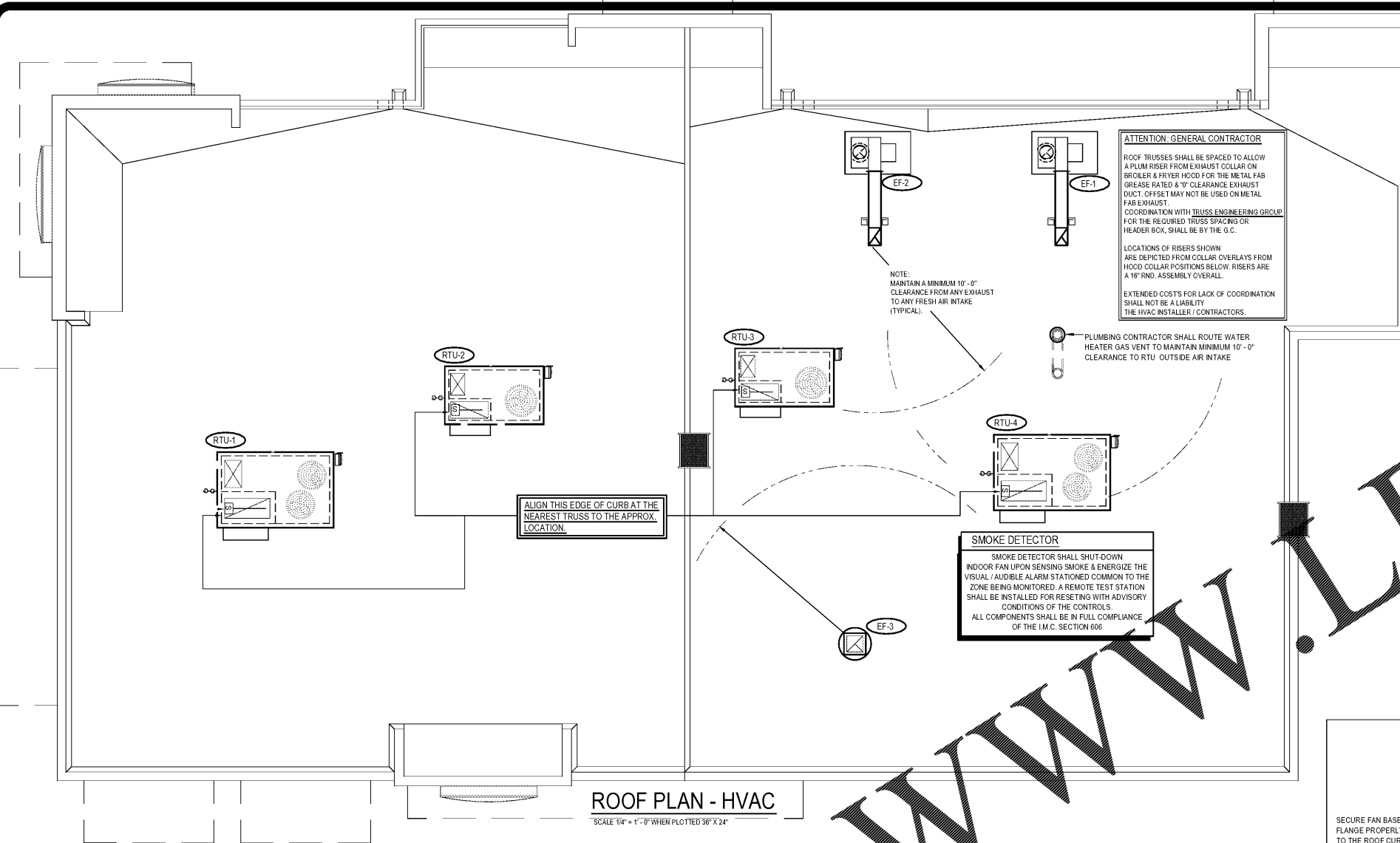
2126 Morris Avenue  
Birmingham, AL 35203  
Phone: (205) 322-1751  
Fax: (205) 322-1778  
www.hollibaugh.com

hollibaugh architects, pc  
interior design  
architectural



PROJECT # 19026.18  
RCC-60 20/20 MARCH APRIL 2015 DESIGN RELEASE  
**BURGER KING RESTAURANT**  
SHORTER, AL  
HVAC ROOF PLAN & DETAILS

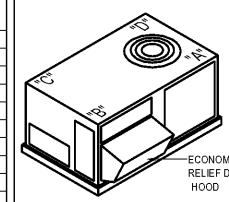
M 2



**RTU WIEGHTS**

UNIT NUMBER	RTU-1 & 4	RTU-2 & 3
UNIT NUMBER	CARRIER 7.5-TON	CARRIER 5-TON
UNIT MODEL	48HC6A08	48HC6A06
TOTAL WEIGHT WITH CURB	1075#	850#
CORNER WEIGHT WITH CURB "A"	220#	156#
CORNER WEIGHT WITH CURB "B"	200#	177#
CORNER WEIGHT WITH CURB "C"	250#	184#
CORNER WEIGHT WITH CURB "D"	280#	167#
OPTION WEIGHT - (ECONOMIZER, ETC)	75# @ CORNER "B"	50# @ CORNER "B"
TOTAL WEIGHT WITH CURB & OPTION	1150#	900#

CURB WIEGHTS AND ACCESSORIES INCLUDED IN WEIGHT



Order Plans

WWW.LDOnline.com