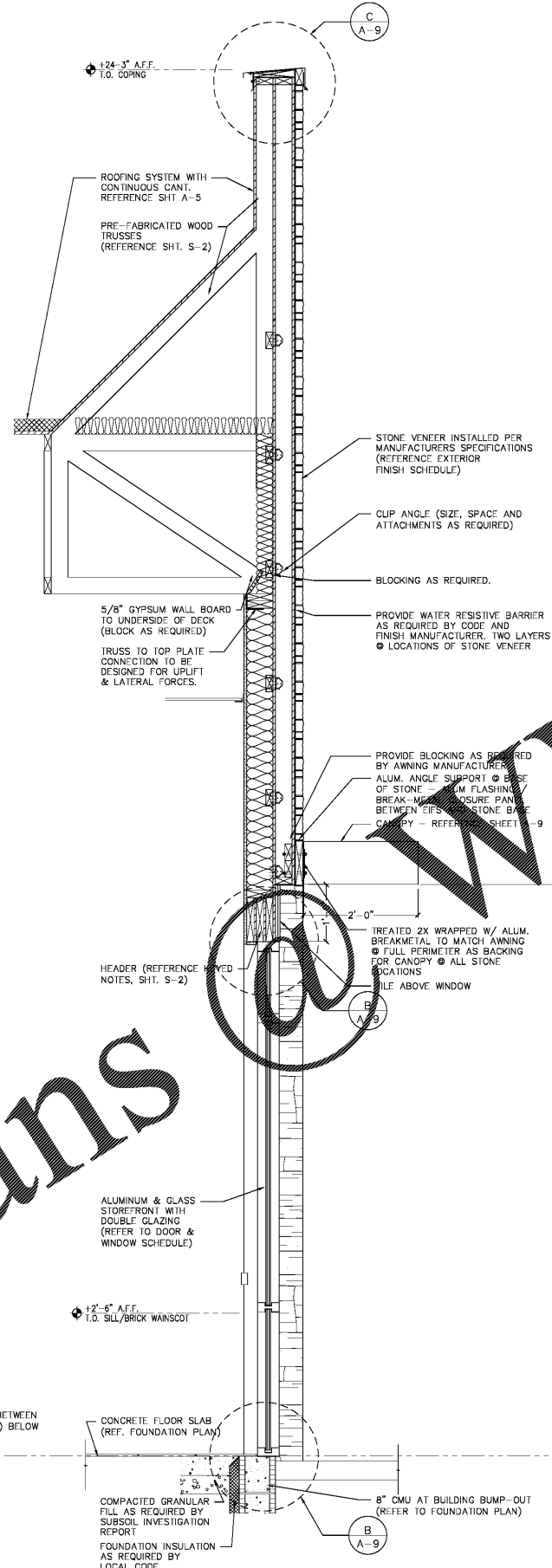
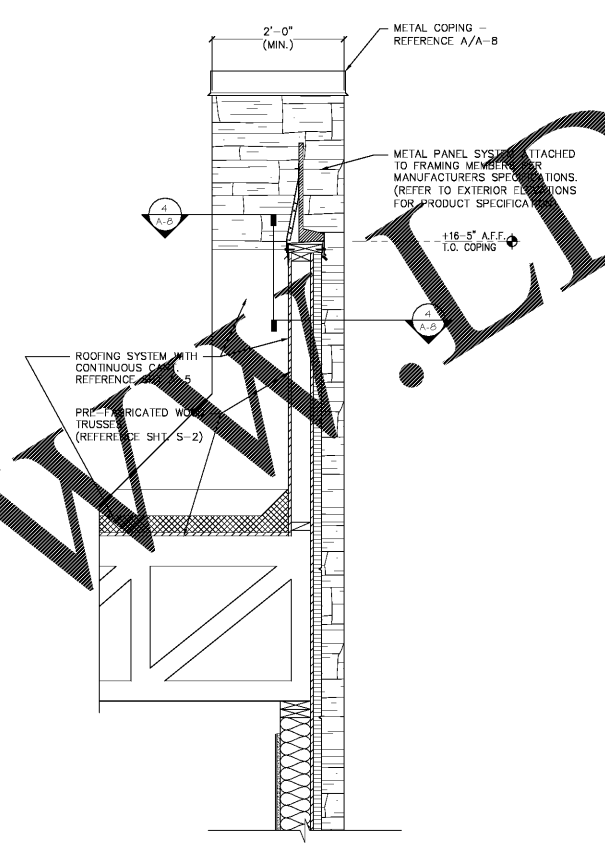


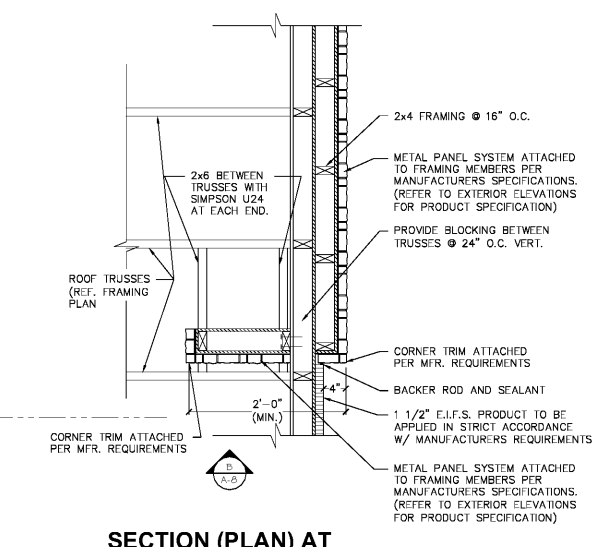
1 DRIVE-THROUGH WINDOW WALL
SCALE: 3/4" = 1'-0"



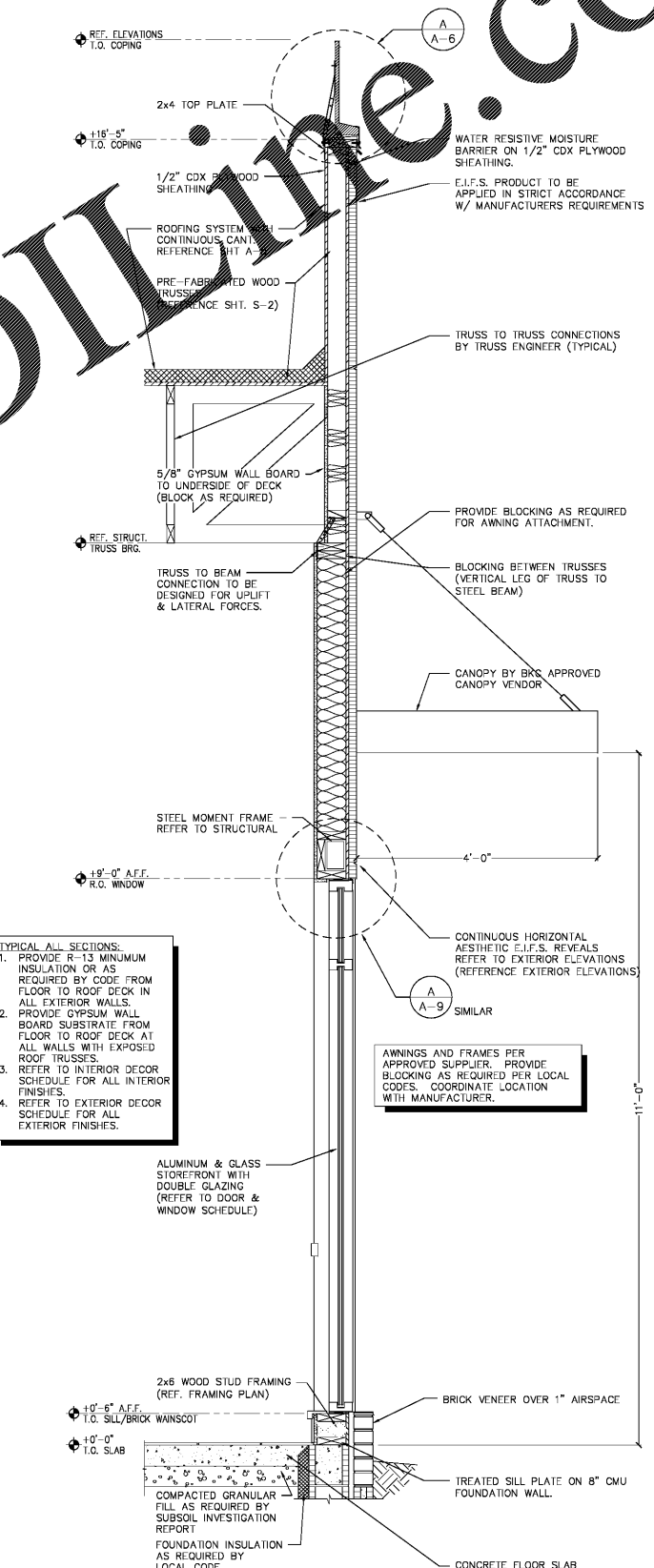
2 FRONT DINING ROOM WALL
SCALE: 3/4" = 1'-0"



3 TYPICAL TOWER RETURN WALL
SCALE: 3/4" = 1'-0"



4 SECTION (PLAN) AT TYPICAL TOWER RETURN WALL
SCALE: 3/4" = 1'-0"



5 DINING ROOM FRONT WALL
SCALE: 3/4" = 1'-0"

TYPICAL ALL SECTIONS:
1. PROVIDE R-13 MINIMUM INSULATION OR AS REQUIRED BY CODE FROM FLOOR TO ROOF DECK IN ALL EXTERIOR WALLS.
2. PROVIDE GYPSUM WALL BOARD SUBSTRATE FROM FLOOR TO ROOF DECK AT ALL WALLS WITH EXPOSED ROOF TRUSSES.
3. REFER TO INTERIOR DECOR SCHEDULE FOR ALL INTERIOR FINISHES.
4. REFER TO EXTERIOR DECOR SCHEDULE FOR ALL EXTERIOR FINISHES.

AWNINGS AND FRAMES PER APPROVED SUPPLIER. PROVIDE BLOCKING AS REQUIRED PER LOCAL CODES. COORDINATE LOCATION WITH MANUFACTURER.

Order Plans

11/06/18
CHECKED BY: J. F. H. REVISION
NO. DATE
11/06/18
DRAWN BY: MRW
RELEASED FOR CONTRACT & BID

BURGER KING
PREMER KINGS, INC.
5529 CARMICHAEL ROAD
MONTGOMERY, ALABAMA 36117
PHONE: (205) 833-1111
WWW.BKALABAMA.COM

2126 Monticello Avenue
Birmingham, AL 35203
Phone (205) 322-1751
Fax (205) 322-1778
email: info@hendonhuckestein.com
www.hendonhuckestein.com
hendon huckestein architects, PC
architecture • planning • interior design

STATE OF ALABAMA
Professional Seal
4152
J. N. Hendon
REGISTERED ARCHITECT

PROJECT #18026.18
ROC-60 20/20 IMAGE: APRIL 2015 DESIGN RELEASE
BURGER KING RESTAURANT
SHORTER, AL

WALL SECTIONS (ENHANCED)
A-8