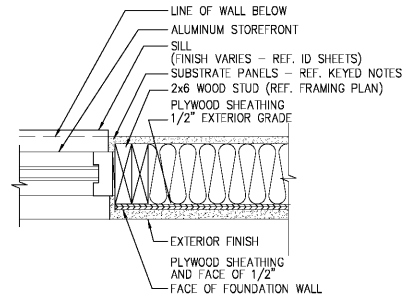
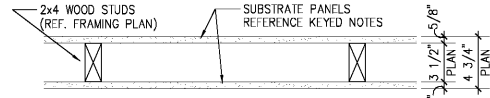


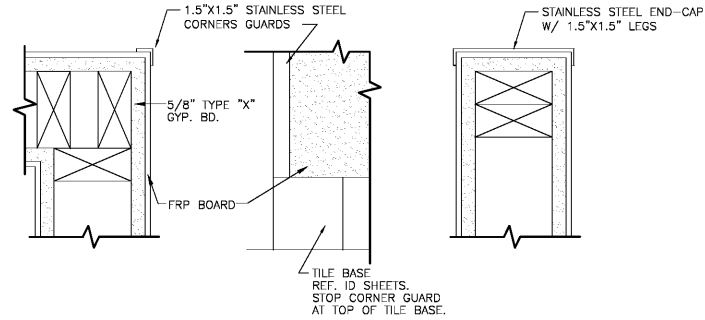
**1 PLAN DETAIL**  
SCALE: 1-1/2" = 1'-0"



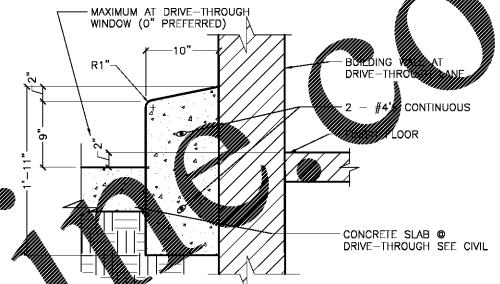
**2 PLAN DETAIL**  
SCALE: 1-1/2" = 1'-0"



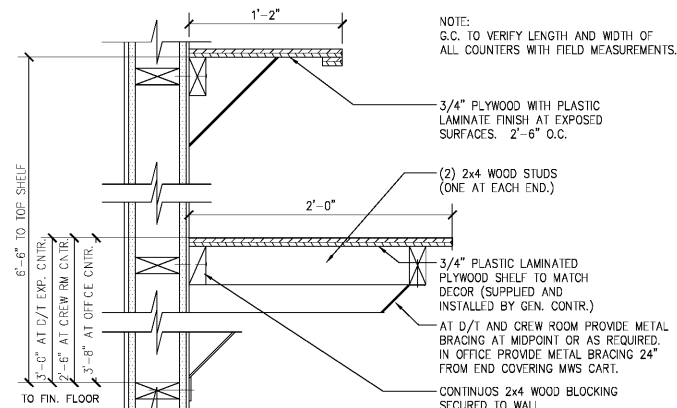
**3 TYPICAL INTERIOR PARTITION**  
SCALE: 1-1/2" = 1'-0"



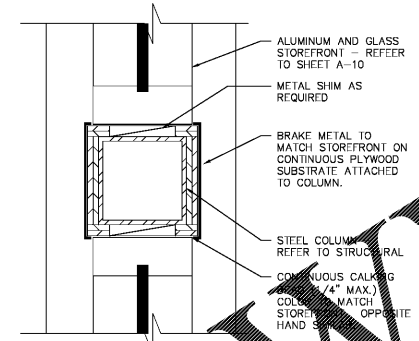
**4 CORNER GUARD & END-CAP DETAILS**  
SCALE: 1-1/2" = 1'-0"



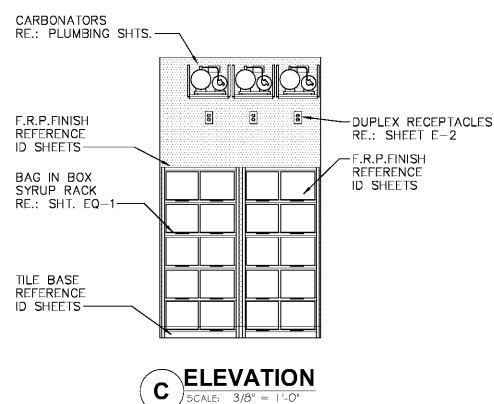
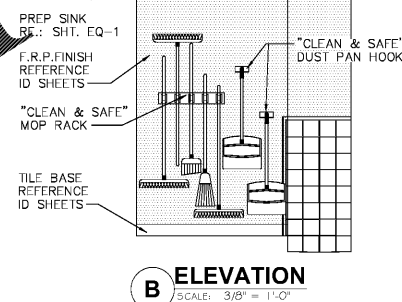
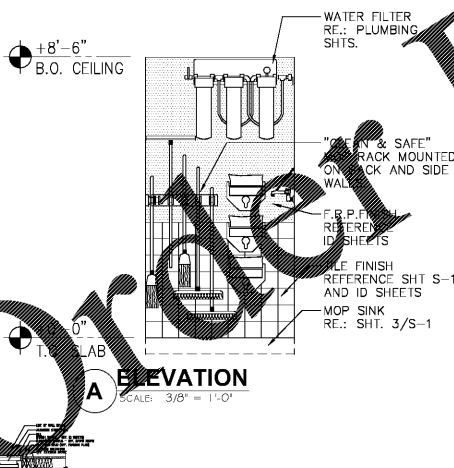
**5 BARRIER CURB DETAIL**  
SCALE: 1" = 1'-0"



**6 OFFICE COUNTER DETAIL**  
SCALE: 1-1/2" = 1'-0"



**7 COLUMN  
BRAKE METAL ENCLOSURE**  
SCALE: 3" = 1'-0"



Order Plans

CHECKED BY: MRW  
DATE: 11/06/18  
NO. DATE: 11/06/18  
RELEASED FOR CONSTRUCTION



PREMIER KINGS, INC.  
5529 CARMICHAEL ROAD  
MONTGOMERY, ALABAMA 36117  
PHONE: (205) 833-1111  
LINDSEY@BKAALABAMA.COM

2126 Morris Avenue  
Montgomery, AL 36103  
Phone: (205) 322-1751  
Fax: (205) 322-1778  
email: info@huckestein.com  
www.huckestein.com

**hendon  
huckestein**  
architects, PC

architecture • planning • interior design



PROJECT # 180261.8  
RCC-80 20/20 MAKE: APRIL, 2015 DESIGN RELEASE  
**BURGER KING RESTAURANT**  
S-ORTER, AL  
MISCELLANEOUS DETAILS