

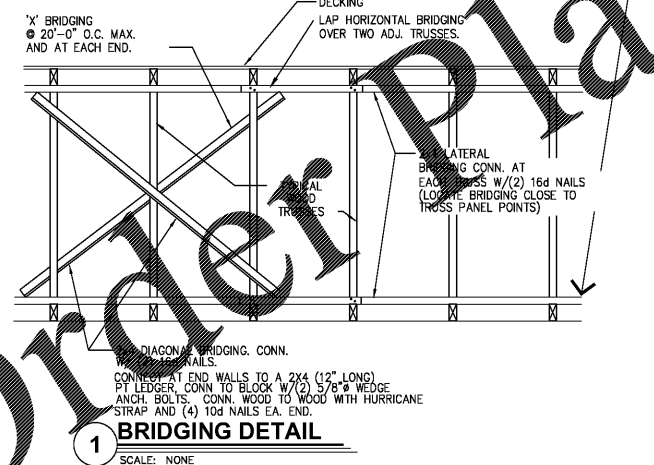
**GENERAL NOTES:**

- A. ROOF OPENINGS FOR A/C UNITS. CONTRACTOR SHALL BE RESPONSIBLE FOR COORDINATION WITH MFR. AND SUPPLIER FOR INSTALLATION.
- B. IF REMOTE COMPRESSORS ARE USED, CONTRACTOR SHALL COORDINATE INSTALLATION WITH EQUIPMENT MANUFACTURER.
- C. SEE SHEET A-5 FOR DETAIL OF HANGERS, ROOF DRAINS, ROOF PENETRATIONS AND PITCH PANS. REFERENCE MECHANICAL SHEETS FOR RTU MOUNTING DETAILS.
- D. STRUCTURAL DESIGN CRITERIA: REFERENCE GENERAL NOTE, SHEET S-3.
- F. TRUSS MANFR. TO SUBMIT SHOP DRAWINGS FOR APPROVAL PRIOR TO FABRICATION.
- G. REFERENCE SHEET S-3 FOR DETAILS OF TRUSS PROFILES.
- H. ALL HORIZ. FRAMING LUMBER, INCLUDING 2x JOISTS, BEAMS AND HEADERS SHALL BE DENSE NO. 2 DOUGLAS FIR-LARCH OR BETTER.
- I. ALL WOOD STUDS SHALL BE STRUCTURAL NO. 2 SOUTHERN PINE OR BETTER.
- J. ALL BEAM SPLICES SHALL OCCUR OVER SUPPORT COLUMNS.
- K. VERIFY EXACT LOCATIONS OF MECHANICAL UNITS WITH MECHANICAL CONTRACTOR.
- L. ROOF TRUSSES TO BE 2'-6" MAX. IN DEPTH. IF DEEPER ROOF TRUSSES ARE REQUIRED, PLEASE NOTIFY ARCHITECT IMMEDIATELY.
- M. WHERE MULTIPLE TRUSSES ARE INDICATED, TOP CHORDS SHALL BE BOLTED WITH 1/2 INCH DIAMETER BOLTS AT 4'-0" O.C. OR AS SPECIFIED BY THE TRUSS MANUFACTURER.
- N. REFERENCE SHEET S-3 FOR STRUCTURAL NOTES.

**KEYED NOTES:**

- 1) 5/8" CDX PLYWOOD SHEATHING REFER TO ROOF DIAPHRAGM NAILING NOTE ON THIS SHEET.
- 2) PREFAB. WOOD TRUSSES AT 2'-0" O.C. (TYP) UNLESS NOTED
- 3) ROOF OPENING FOR MECHANICAL SYSTEMS, REF. TO MECH. SHEETS FOR SIZE OF ROOF PENETRATIONS.
- 4) (2) 2x8 BETWEEN TRUSSES WITH SIMPSON JOIST HANGER EACH END
- 5) WOOD BRIDGING. REFERENCE DETAIL 01/S-2
- 6) REFER TO M-2 FOR A/C CURB MOUNTING DETAIL.
- 7) WOOD HEADER (2) 2x12 WITH 1/2" PLYWOOD SPACER WITH DOUBLE STUDS AT EACH END OF OPENING (4" MIN. BEARING)
- 8) PROVIDE 2x4 FRAMED RETURN WALL AT RAISED PARAPET TOWER ELEMENT. REFER TO DETAILS #3 AND #4, SHEET A-8
- 9) CENTER LINE OF EXHAUST DUCT. VERIFY LOCATION IN FIELD. VERIFY DUCT SIZE WITH MANUFACTURER.
- 10) WALL FRAMING AT TO BE 2x6 @ 16" O.C.
- 11) 2x4 BLOCKING @ 24" O.C. AT BOTTOM CHORD OF TRUSS FOR BRACING OF NON-LOAD BEARING EXTERIOR WALLS.
- 12) HSS 3"x3"x3/8" STEEL COLUMN.
- 13) HSS 5"x5"x3/8" STEEL COLUMN.
- 14) HSS 6"x4"x3/8" STEEL BEAM-CONTINUOUS OVER TOP OF INTERIOR COLUMNS. ALL CONNECTIONS TO BE FULLY WELDED. SEE DETAIL 2 THIS SHEET. SUBMIT SHOP DRAWING FOR APPROVAL. COORDINATE TOP OF STEEL WITH TRUSS BEARING.
- 15) WALL FRAMING AT TO BE 2x4 @ 16" O.C.

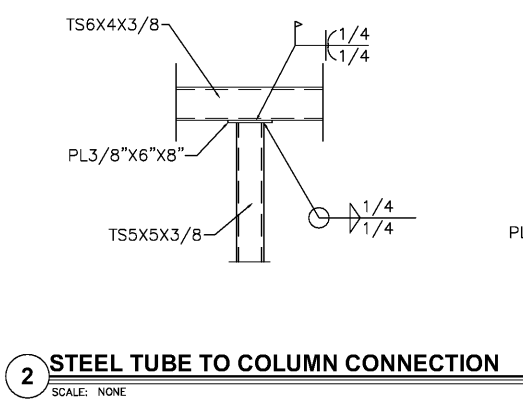
NOTE TO GENERAL CONTRACTOR:  
WHERE THE CEILING IS NOT TO BE ATTACHED DIRECTLY TO THE UNDERSIDE OF THE TRUSSES, THE TRUSSES SHALL BE LATEROALLY BRACED WITH CONTINUOUS 1" X 4" MEMBERS NAILED TO THE UPPER SIDE OF THE BOTTOM CHORD AT A MAXIMUM OF 6'-0" ON CENTER WITH TWO(2)-16d COMMON NAILS AT EACH INTERSECTION. THIS LATERAL BRACING SHALL BE RESTRAINED AT EACH END AND AT 20'-0".



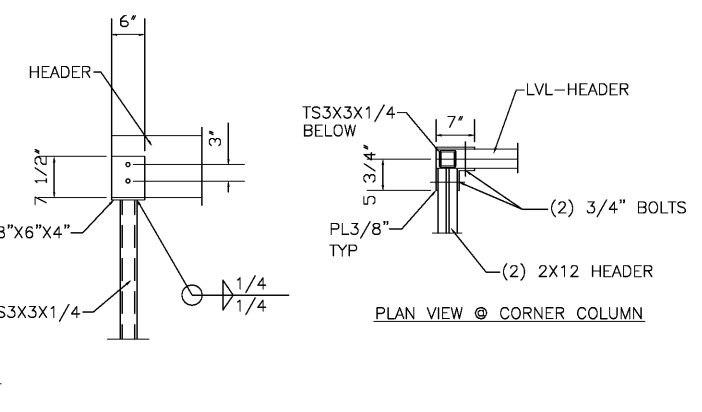
**SHEAR WALL SCHEDULE**

WALL	LENGTH	HOLD DOWNS	SHEATHING	NAILING PATTERN
1	SEE PLAN	HD7B	S-1	N-1
2	SEE PLAN	HD9B	S-1	N-1
3	SEE PLAN	HD12	S-2	N-2
4	SEE PLAN	HD9B	S-2	N-2
5	SEE PLAN	HD12	S-2	N-2
6	SEE PLAN	HD12	S-2	N-2
7	SEE PLAN	HD9B	S-1	N-1
8	SEE PLAN	HD5B	S-1	N-1

NOTES:  
SHEATHING:  
S-1 - 1/2" PLYWOOD, ALL PANEL EDGES BLOCKED  
S-2 - 1/2" STRUCTURAL I PLYWOOD, ALL PANEL EDGES BLOCKED  
NAILING:  
N-1 - 8d NAILS @ 4" O.C. AT ALL PANEL EDGES AND 8" O.C. AT INTERMEDIATE SUPPORTS.  
N-2 - 8d NAILS @ 2" O.C. AT ALL PANEL EDGES AND 6" O.C. AT INTERMEDIATE SUPPORTS.  
PROVIDE 6x6 POST OR PACKED STUDS AT EACH END OF SHEAR WALL FOR HOLDDOWN ATTACHMENT.  
PROVIDE ANCHOR BOLTS PER SIMPSON REQUIREMENTS.  
ROOF DIAPHRAGM:  
USE 5/8" APA RATED SHEATHING, 8d NAILS AT 6" O.C. AT PANEL EDGES & 12" O.C. AT INTERMEDIATE SUPPORTS.



**2 STEEL TUBE TO COLUMN CONNECTION**  
SCALE: NONE



**3 HEADER TO COLUMN CONNECTION**  
SCALE: NONE

Order Plans

WWW.LDPLAN.COM

DATE: 10/25/18  
CHECKED BY: M.H. EN...  
RELEASED FOR CONSTRUCTION  
NOI DATE: 10/25/18

**BURGER KING**  
PREMIER KINGS, INC.  
5529 CARMICHAEL ROAD  
MONTOMOERY, ALABAMA 36117  
PHONE: (205) 332-1778  
LINDSEY@BKBALABAMA.COM

2124 Mark Avenue  
Birmingham, AL 35203  
Phone (205) 322-1751  
Fax (205) 322-1778  
email: info@huckestein.com  
www.huckestein.com  
**henderson huckestein architects, PC**  
architecture • planning • interior design

PROJECT #: 18026.18  
RCC-60 20/20 MAKE: APRIL 2015 DESIGN RELEASE  
**BURGER KING RESTAURANT**  
SHORTER, AL