

LIGHT FIXTURE SCHEDULE

*"OW" FIXTURES AND LAMPS ARE FURNISHED BY THE OWNER FOR INSTALLATION BY THE CONTRACTOR. "GC" FIXTURES AND LAMPS ARE FURNISHED AND INSTALLED BY THE CONTRACTOR.

| TYPE | SUPPLIED BY | DESCRIPTION | VENDOR | MODEL | VOLTAGE | INPUT VA | COLOR TEMP | LIGHT SOURCE | LAMP QTY | MOUNTING | COUNT |
|------|-------------|-----------------------------|--------------------------------|--|---------|----------|------------|----------------------|----------|-------------|-------|
| 2C | GC | 4' FLUORESCENT STRIP | DAY-BRITE | F232-0WV-17/110-LF-TM | 120/277 | 58 VA | 5000K | F3278/TL50/FL08/ALTO | 2 | SURFACE | 1 |
| 6C | GC | 4' FLUORESCENT HEATED STRIP | DAY-BRITE | FM232-0WV-17/2H-LF | 120/277 | 58 VA | 5000K | F3278/TL50/FL08/ALTO | 2 | SURFACE | 1 |
| 7 | OW | 1' x 4' VOLU-METRIC TROFFER | CREE, INC. | 2P18M-40L-40K-10V-FD | 120/277 | 30 VA | 4000K | INTEGRAL LED | - | RECESSED | 10 |
| 9 | OW | 2' x 4' VOLU-METRIC TROFFER | CREE, INC. | 2P24C-40L-40K-10V-FD | 120/277 | 32 VA | 4000K | INTEGRAL LED | - | RECESSED | 22 |
| 10 | OW | 2' x 4' VOLU-METRIC TROFFER | CREE, INC. | 2P24M-40L-40K-10V-FD | 120/277 | 30 VA | 4000K | INTEGRAL LED | - | RECESSED | 17 |
| 17 | OW | EMERGENCY LIGHT | BEVEL | EVAL | 120/277 | 3 VA | - | INTEGRAL LED | - | WALL | 3 |
| 28 | OW | WEATHER-PROOF EXIT SIGN | ACTIVITY BRANDS LIGHTING, INC. | LV 3 W 1 R 120/277 EL N 4X SD | 120/277 | 6 VA | - | INTEGRAL LED | - | WALL | 2 |
| 34 | OW | 1' STRIP CONTINUOUS ROW | ACTIVITY BRANDS LIGHTING, INC. | CLX L96 8000LM SEF BDL M9216 40K 80CRI 5FLR1LVG WH | 120/277 | 5.3 VA | 4000K | INTEGRAL LED | - | REF DETAILS | 16 |
| 36 | OW | 6" TRACK MOUNTED CYLINDER | BEVEL | C4LP-N-V-D-30-98-35-25-L1-TRACK MOUNT | 120/277 | 34 VA | 3500K | INTEGRAL LED | - | TRACK | 26 |
| 40 | OW | 6" EDGE-LIT BLADE STRIP | BEVEL | EL60A60X10WTW200 | 120/277 | 104 VA | 3500K | INTEGRAL LED | - | TRACK | 33 |
| 65 | OW | 2' VANITY LIGHT | BEVEL | LLME-2-117/835-8-90-0WV | 120/277 | 21 VA | 3500K | INTEGRAL LED | - | WALL | 12 |

LIGHT FIXTURE NOTES: (APPLIES TO ALL LIGHT FIXTURES)
 A. SUPPORT ALL RECESSED OR LAY-IN LIGHT FIXTURES, DIRECTLY FROM THE FIXTURE HOUSING TO THE STRUCTURE ABOVE, WITH A MINIMUM OF TWO 1/2-INCH DIAMETER BOLTS LOCATED AT DIAGONALLY OPPOSITE CORNERS. FIXTURE SUPPORT WIRES MAY BE SLIGHTLY LOOSE TO ALLOW THE FIXTURE TO SEAT IN THE GRID SYSTEM. ATTACH LIGHT FIXTURES TO THE SUSPENDED CEILING SYSTEM TO RESIST 100 PERCENT OF THE FIXTURE WEIGHT ACTING IN ANY DIRECTION, COMPLETE IN ACCORDANCE WITH APPLICABLE BUILDING CODE REQUIREMENTS.

1925 Pleasant Hill
 Atlanta, GA 30329
 Phone: 404.291.0000
 Fax: 404.291.0000
 www.cree.com

LDI
 LD International, Inc.
 www.ldintl.com

Walmart
 JESUP, GA
 STORE NO. 2650
 2360278 | PHOTO
 JOB NUMBER: 134

ISSUE BLOCK

| NO. | DATE | DESCRIPTION |
|-----|------|-------------|
| | | |
| | | |
| | | |
| | | |
| | | |
| | | |
| | | |
| | | |

CHECKED BY: JPM
 DRAWN BY: MD
 PHOTO CYCLE: 07/27/18
 DOCUMENT DATE: 10/05/18

NOT FOR CONSTRUCTION

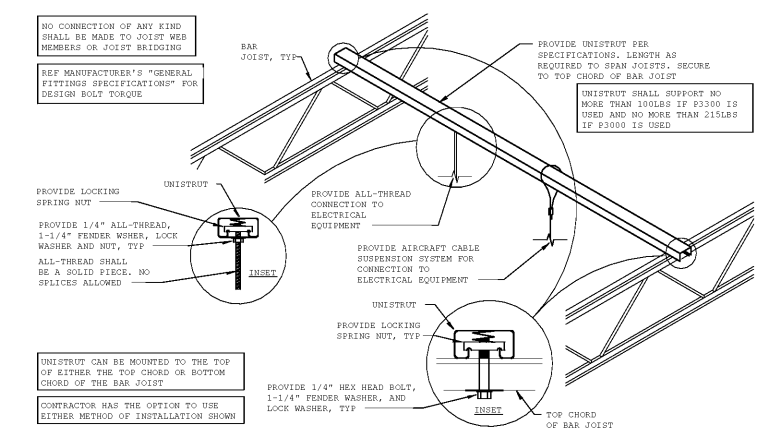
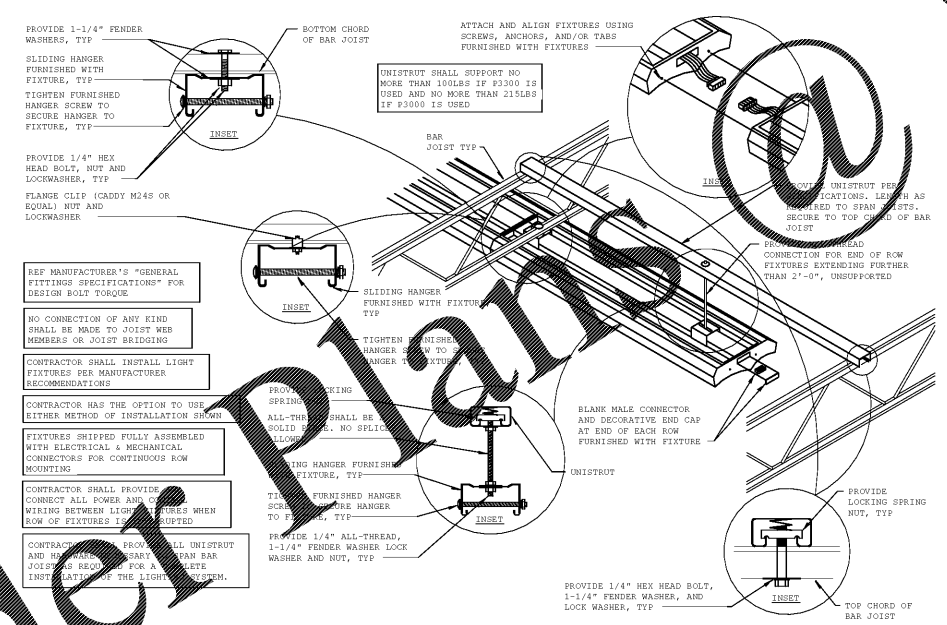
LIGHTING DETAILS AND SCHEDULES

SHRGT: **E1.2**

Order Plans

2 SALES FLOOR LIGHTING
 12" x 1'-0" 07/27/18

WWW.LDIntl.com



1 GENERAL ELECTRICAL CONNECTIONS TO STRUCTURE
 12" x 1'-0" 07/27/18

EXISTING CONDITIONS WERE TAKEN FROM ORIGINAL DRAWINGS AND MAY NOT REFLECT EXACT "AS-BUILT" CONDITIONS. CONTRACTOR SHALL FIELD VERIFY ALL EXISTING CONDITIONS PRIOR TO SUBMITTING FINAL BIDS. CONTRACTOR SHALL CAREFULLY COORDINATE NEW WORK AND DEMOLITION WITH ALL OTHER DISCIPLINES AND EXISTING CONDITIONS.

EACH SUBCONTRACTOR IS RESPONSIBLE FOR HAVING A THOROUGH KNOWLEDGE OF ALL DRAWINGS AND SPECIFICATIONS IN THEIR RELATED FIELD. THE FAILURE TO ACCOUNT THEREIN WITH THIS KNOWLEDGE DOES NOT RELIEVE THE RESPONSIBILITY OF PERFORMING THE WORK PROPERLY. NO ADDITIONAL COMPENSATION SHALL BE ALLOWED BECAUSE OF CONDITIONS THAT OCCUR DUE TO FAILURE TO FAMILIARIZE WORKERS WITH THIS KNOWLEDGE.