

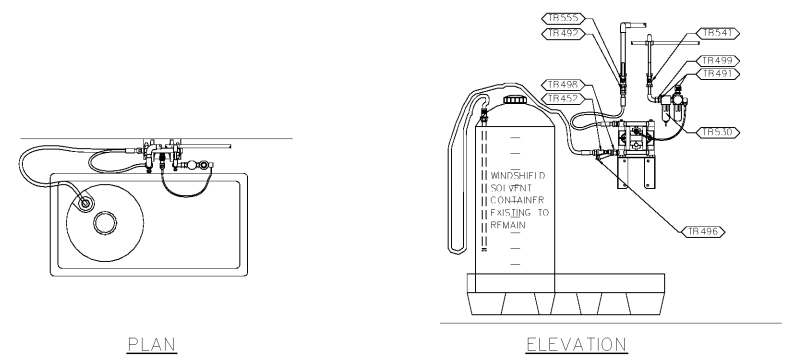
ACC NOTES

1. REFERENCE ARCHITECTURAL SHEETS FOR EQUIPMENT SCHEDULE.
2. PROPERLY INSTALL UNISTRUT AND PIPE BRACKETS FOR ALL NEW AND RELOCATED PIPING. EVERY UNISTRUT SHOULD BE INSTALLED 12 INCHES BEFORE AND AFTER EACH PIPE BEND, A MAXIMUM OF 10 FEET APART FOR VERTICAL PIPING, AND FOR ANY PIPING BEING ADDED TO PIPE CLUSTER. REFERENCE SPECIFICATIONS FOR MAXIMUM DISTANCE BETWEEN UNISTRUT PIPING SUPPORTS FOR HORIZONTAL PIPING.
3. INSTALL VTR'S A MINIMUM OF 24" AND FLUES A MINIMUM OF 36" FROM ROOF EDGE AND/OR PARAPET WALLS. INSTALL VTR'S, FLUES AND EXHAUST FANS A MINIMUM OF 10 FT FROM OUTSIDE SURFACE OF ROOF TOP UNITS. INSTALL EXHAUST FANS FROM ROOF TOP UNITS A MINIMUM OF 10 FT FROM EDGE OR A MINIMUM OF 60" FROM PARAPET WALLS THAT ARE AT LEAST 42" HIGH.

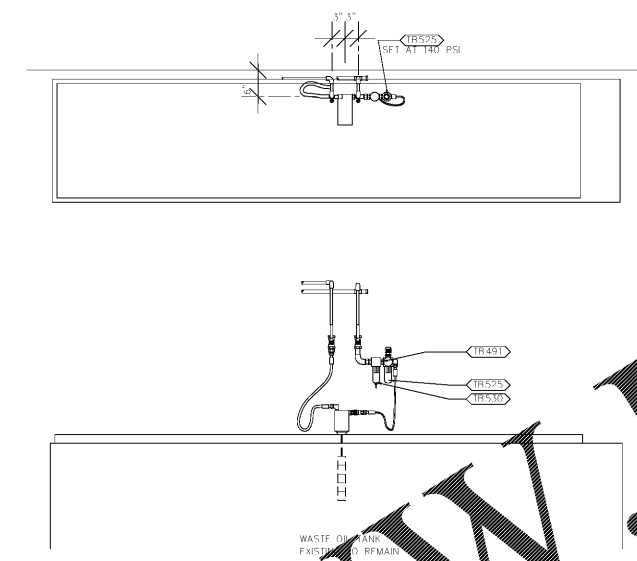
KEYNOTE

15.406 PLUMBER CONTRACTOR TO MAKE ALL NECESSARY CUTS AND RECONNECTS OF PLUMBING SYSTEMS BEING RELOCATED OR NEW.

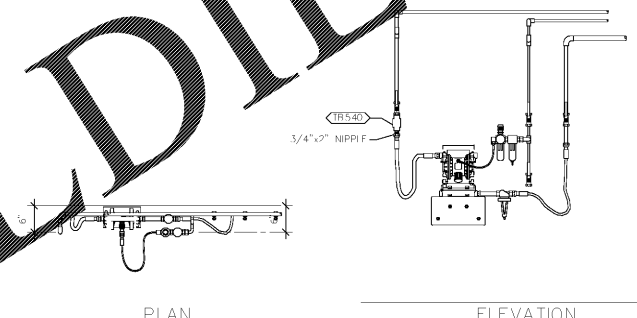
152 Project No. 2018000010
 153 Drawing No. P-001001000
 154 Revision 1.0
 155 Date 07/27/18
 156 Drawing Title
 157 Project Location
 158 Job Number
 159 Store No.



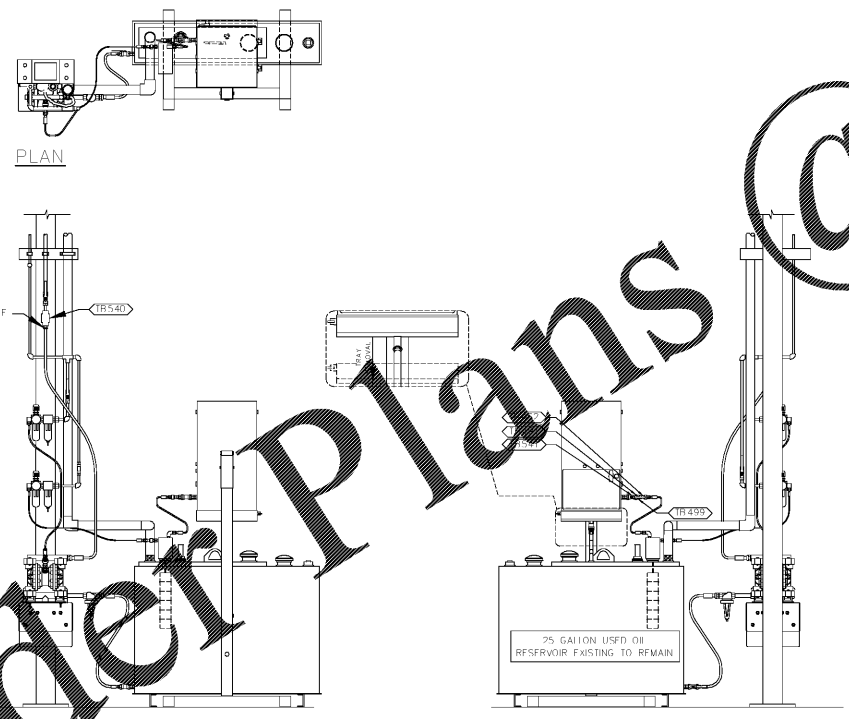
6 WINDSHIELD WASHER SOLVENT PUMP ASSEMBLY
 NTS 111407 R6WRAC03-S



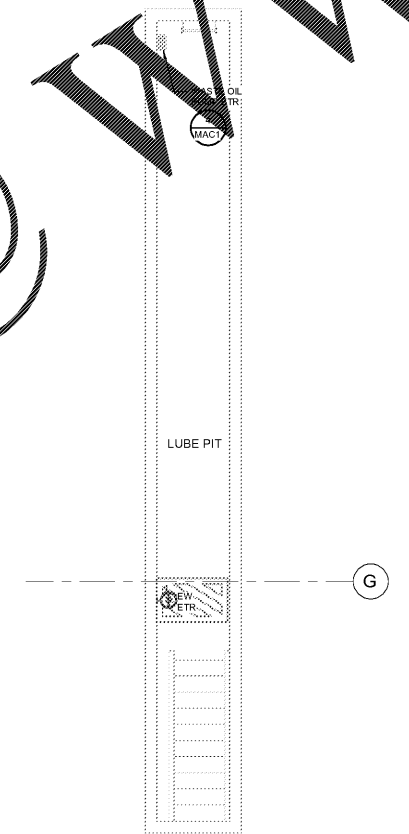
5 HIGH LEVEL ALARM ASSEMBLY
 NTS 041001 R6WRAC04-S



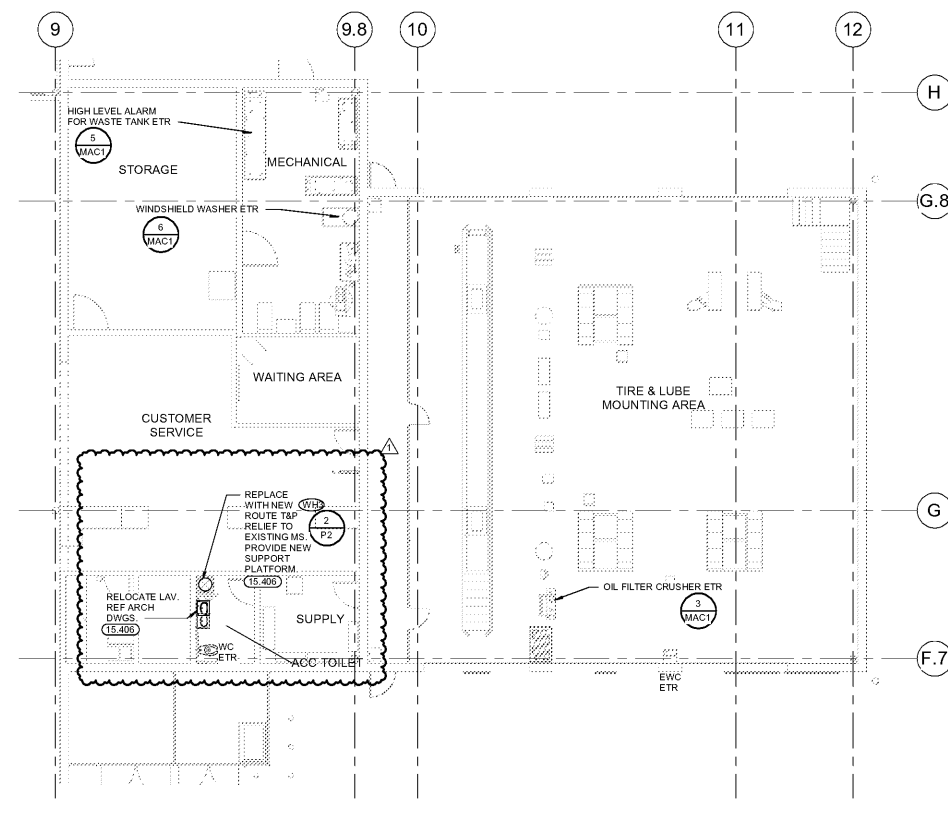
4 WASTE OIL PUMP ASSEMBLY
 NTS 103108 R6WRAC07-S



3 OIL FILTER CRUSHER (STAND ALONE)
 NTS 031210 R6WRAC01-S (STAND ALONE)



2 ACC PIT PLUMBING PLAN
 1/4" = 1'-0"



1 ACC PLUMBING PLAN
 1/8" = 1'-0"

EXISTING CONDITIONS WERE TAKEN FROM ORIGINAL DRAWINGS AND MAY NOT REFLECT EXACT 'AS-BUILT' CONDITIONS. CONTRACTOR SHALL FIELD VERIFY ALL EXISTING CONDITIONS PRIOR TO SUBMITTING FINAL BIDS. CONTRACTOR SHALL CAREFULLY COORDINATE NEW WORK AND DEMOLITION WITH ALL OTHER DISCIPLINES AND EXISTING CONDITIONS.

EACH SUBCONTRACTOR IS RESPONSIBLE FOR HAVING A THOROUGH KNOWLEDGE OF ALL DRAWINGS AND SPECIFICATIONS IN THEIR RELATED FIELD. THE FAILURE TO ACQUAINT THEMSELVES WITH THIS KNOWLEDGE DOES NOT RELIEVE THE RESPONSIBILITY OF PERFORMING THE WORK PROPERLY. NO ADDITIONAL COMPENSATION SHALL BE ALLOWED BECAUSE OF CONDITIONS THAT OCCUR DUE TO FAILURE TO FAMILIARIZE WORKERS WITH THIS KNOWLEDGE.

ISSUE BLOCK

1	PR#1	10/26/18

CHECKED BY: JJD
 DRAWN BY: JM
 PHOTO CYCLE: 07/27/18
 DOCUMENT DATE: 10/26/18

NOT FOR CONSTRUCTION

AUTO CENTER MECHANICAL PLANS

SHEET: MAC1

Order Plans @ www.LDILine.com

www.LDILine.com

Walmart
 JESUP, GA
 STORE NO. 2850
 JOB NUMBER: 2180278 | PHOTO: 138