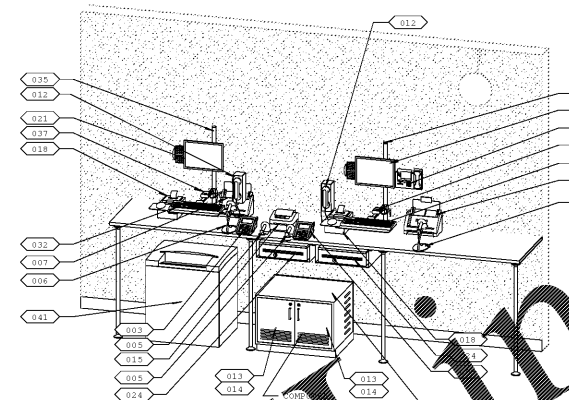
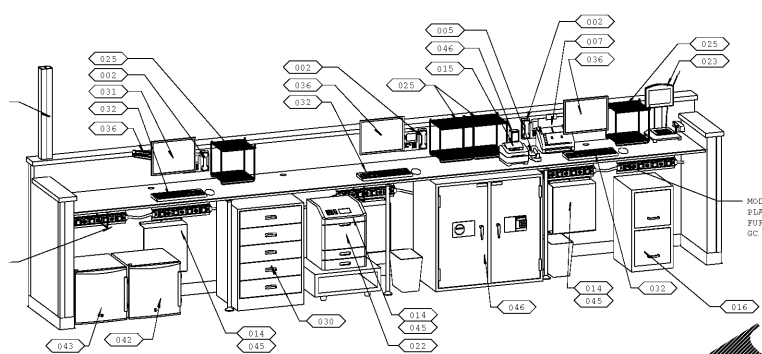


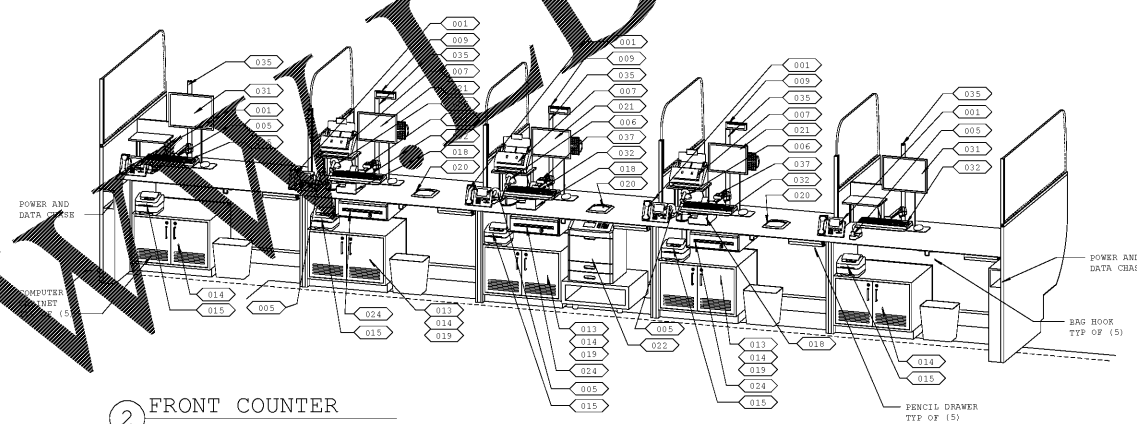
5 HEALTH SERVICES ROOM



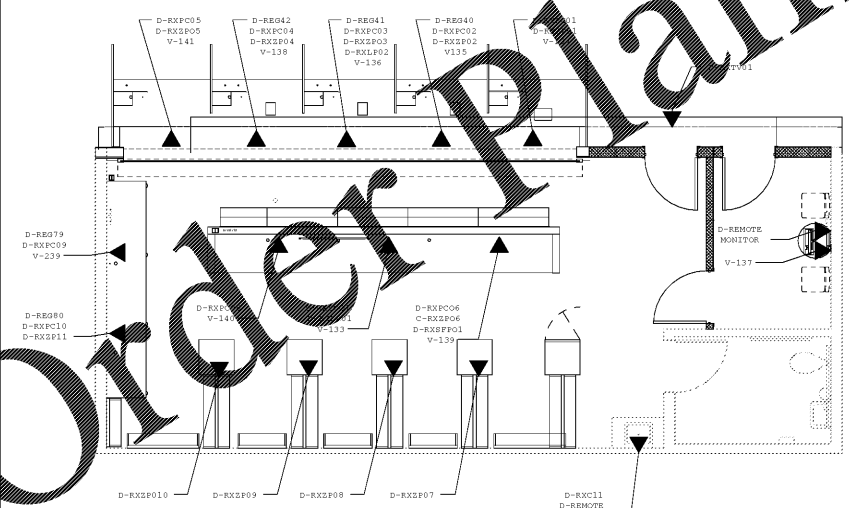
4 SIDE COUNTER DRIVE THRU



3 PHARMACIST'S WORKBENCH



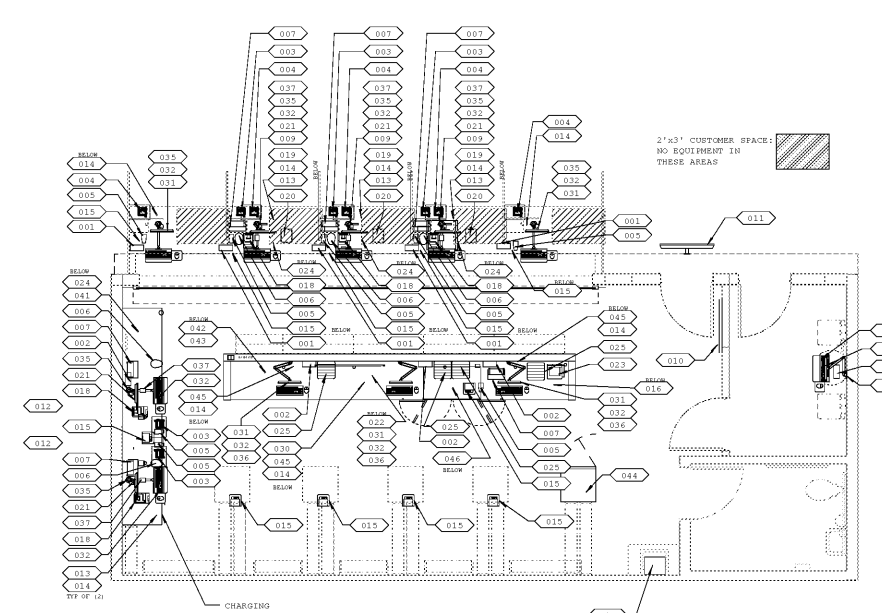
2 FRONT COUNTER



1A PHARMACY VOICE/DATA PLAN  
1/4" = 1'-0"

DATA SCHEDULE			
CABLE	LOCATION	TYPE	42 HB RF
D-RS041	PHARMACY	REGISTER	X
D-RS042	PHARMACY	REGISTER	X
D-RS043	PHARMACY	REGISTER	X
D-RS044	PHARMACY	REGISTER	X
D-RS045	PHARMACY	REGISTER	X
D-RS046	PHARMACY	REGISTER	X
D-RS047	PHARMACY	REGISTER	X
D-RS048	PHARMACY	REGISTER	X
D-RS049	PHARMACY	REGISTER	X
D-RS050	PHARMACY	REGISTER	X
D-RS051	PHARMACY	REGISTER	X
D-RS052	PHARMACY	REGISTER	X
D-RS053	PHARMACY	REGISTER	X
D-RS054	PHARMACY	REGISTER	X
D-RS055	PHARMACY	REGISTER	X
D-RS056	PHARMACY	REGISTER	X
D-RS057	PHARMACY	REGISTER	X
D-RS058	PHARMACY	REGISTER	X
D-RS059	PHARMACY	REGISTER	X
D-RS060	PHARMACY	REGISTER	X
D-RS061	PHARMACY	REGISTER	X
D-RS062	PHARMACY	REGISTER	X
D-RS063	PHARMACY	REGISTER	X
D-RS064	PHARMACY	REGISTER	X
D-RS065	PHARMACY	REGISTER	X
D-RS066	PHARMACY	REGISTER	X
D-RS067	PHARMACY	REGISTER	X
D-RS068	PHARMACY	REGISTER	X
D-RS069	PHARMACY	REGISTER	X
D-RS070	PHARMACY	REGISTER	X
D-RS071	PHARMACY	REGISTER	X
D-RS072	PHARMACY	REGISTER	X
D-RS073	PHARMACY	REGISTER	X
D-RS074	PHARMACY	REGISTER	X
D-RS075	PHARMACY	REGISTER	X
D-RS076	PHARMACY	REGISTER	X
D-RS077	PHARMACY	REGISTER	X
D-RS078	PHARMACY	REGISTER	X
D-RS079	PHARMACY	REGISTER	X
D-RS080	PHARMACY	REGISTER	X
D-RS081	PHARMACY	REGISTER	X
D-RS082	PHARMACY	REGISTER	X
D-RS083	PHARMACY	REGISTER	X
D-RS084	PHARMACY	REGISTER	X
D-RS085	PHARMACY	REGISTER	X
D-RS086	PHARMACY	REGISTER	X
D-RS087	PHARMACY	REGISTER	X
D-RS088	PHARMACY	REGISTER	X
D-RS089	PHARMACY	REGISTER	X
D-RS090	PHARMACY	REGISTER	X
D-RS091	PHARMACY	REGISTER	X
D-RS092	PHARMACY	REGISTER	X
D-RS093	PHARMACY	REGISTER	X
D-RS094	PHARMACY	REGISTER	X
D-RS095	PHARMACY	REGISTER	X
D-RS096	PHARMACY	REGISTER	X
D-RS097	PHARMACY	REGISTER	X
D-RS098	PHARMACY	REGISTER	X
D-RS099	PHARMACY	REGISTER	X
D-RS100	PHARMACY	REGISTER	X

VOICE SCHEDULE				
CABLE	LOCATION	TYPE	PHONE MODEL	42 HB RF
V-133	PHARMACY	DESK	7960	X
V-134	PHARMACY	WALL	7960	X
V-135	PHARMACY	WALL	7960	X
V-136	PHARMACY	WALL	7960	X
V-137	PHARMACY-HSE	DESK	7960	X
V-138	PHARMACY	WALL	7960	X
V-139	PHARMACY	DESK	7960	X
V-140	PHARMACY	DESK	7960	X
V-141	PHARMACY	WALL	7960	X
V-145	PHARMACY	DESK	7960	X
V-139	PHARMACY	DESK	7960	X



1 PHARMACY EQUIPMENT PLAN  
1/4" = 1'-0"

EQUIPMENT LEGEND	
001	DESK PHONE
002	WALL PHONE
003	DEBIT READER
004	SIGNATURE PAD
005	RX HAND HELD SCANNER
006	POS HAND SCANNER
007	RX IMAGE SCANNER
009	POS FLAG DISPLAY
010	DISPLAY PHARMACIST / TECH LICENSES AND PERMITS
011	DIGITAL DISPLAY MOUNTED AT 8'-6" AFF TO CENTER
012	RX VIDEO HEADSET CONSOLE
013	REGISTER CPU
014	RX CPU
015	ZEBRA PRINTER
016	2 DRAWER FILE BELOW
017	CII FILE DRAWER
018	REGISTER PRINTER
019	SENSORMATIC CPU
020	SENSORMATIC
021	REGISTER KEYPAD MONITOR (WALL MOUNTED)
022	LASER PRINTER BELOW
023	DRIVE-THRU DISPLAY
024	CASH DRAWER MOUNTING BRACKET
025	VISUAL VERIFY RACK
030	CII FILE DRAWER
031	RX PC FLAT PANEL MONITOR
032	KEYBOARD AND MOUSE
034	WALL MOUNTED EQUIPMENT TRACK
035	EQUIPMENT TREE (POST OWNER PROVIDED, GC INSTALLED)
036	WALL MOUNTED EQUIPMENT ARM
037	VGA SWITCH
041	SHREDDER BELOW
042	UNDERCOUNTER REFRIGERATOR
043	UNDERCOUNTER FREEZER
044	UPRIGHT REFRIGERATOR
045	CPU WALL MOUNT BRACKET
046	PHARMACY SAFE (OWNER PROVIDED)

Walmart  
JESUP, GA  
STORE NO. 2650  
2860281 PHOTO

ISSUE BLOCK

CHECKED BY: RD  
DRAWN BY: SM  
PHOTO CYCLE: 08/31/11  
DOCUMENT DATE: 10/05/11

NOT FOR CONSTRUCTION

PHARMACY EQUIPMENT (FOR REFERENCE ONLY)

PHM3