

CUSTOMER RESTROOM FIXTURE SCHEDULE		
WT	ROOM NAME	
111	CUSTOMER MEN	
	THICKNESS OF PARTITION FILASTERS	1"
	TYPE OF LATCH ON PARTITION DOORS	SURFACE MOUNTED
	TYPE OF WATER CLOSET	TANKLESS FLUSH VALVE
	NUMBER OF 18" WIDE MIRRORS	3
112	CUSTOMER WOMEN	
	THICKNESS OF PARTITION FILASTERS	1"
	TYPE OF LATCH ON PARTITION DOORS	SURFACE MOUNTED
	TYPE OF WATER CLOSET	TANKLESS FLUSH VALVE
	NUMBER OF 18" WIDE MIRRORS	3
164	CUSTOMER MEN	
	THICKNESS OF PARTITION FILASTERS	1"
	TYPE OF LATCH ON PARTITION DOORS	SURFACE MOUNTED
	TYPE OF WATER CLOSET	TANKLESS FLUSH VALVE
	NUMBER OF 18" WIDE MIRRORS	1
	DIAPER DISPENSER INFILL PLATE	1
	DIAPER DISPOSAL INFILL PLATE	1
	LINER DISPENSER INFILL PLATE	1
164	CUSTOMER WOMEN	
	THICKNESS OF PARTITION FILASTERS	1"
	TYPE OF LATCH ON PARTITION DOORS	SURFACE MOUNTED
	TYPE OF WATER CLOSET	TANKLESS FLUSH VALVE
	NUMBER OF 18" WIDE MIRRORS	1
	DIAPER DISPENSER INFILL PLATE	1
	DIAPER DISPOSAL INFILL PLATE	1
	LINER DISPENSER INFILL PLATE	1
601	TOILET	
	TYPE OF WATER CLOSET	TANKLESS FLUSH VALVE
	NUMBER OF 18" WIDE MIRRORS	1

111, 112, 164, 164, (CUSTOMER RESTROOMS)

WALLS

- FRP: CLEAN WALLS
- CUSTOMER RESTROOM 111 AND 112: FRP REPLACE WITH FRP1

FLOOR

- ETR

CEILING

- PAINT: CEILING #131

601 TOILET

WALLS

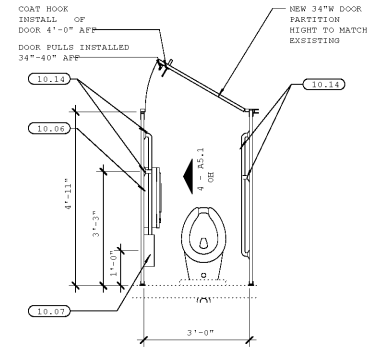
- FRP: CLEAN WALLS

FLOOR

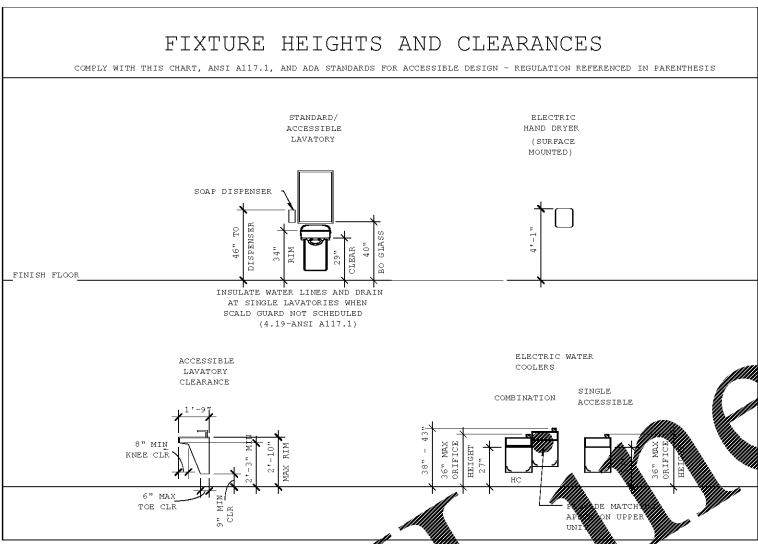
- ICC: ETR, CLEAN FLOORING.

CEILING

- PAINT: CEILING #131



8
1/2" = 1'-0"



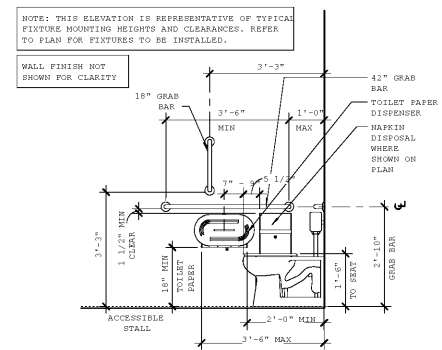
7
1/4" = 1'-0"

SHEET NOTES

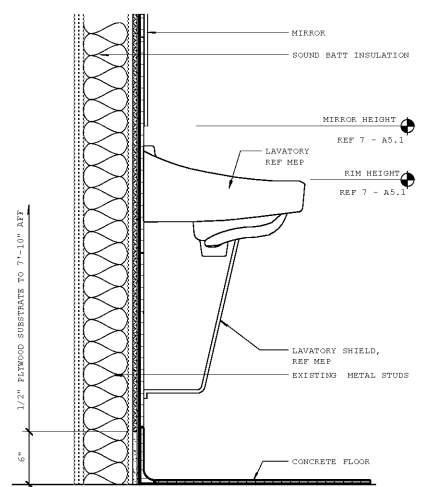
- INTERIOR PLAN DIMENSIONS ARE TO FACE OF FINISH UNO.
- REF SHEET AS FOR SCHEDULE FINISH KEY.
- REMOVE ANY EXISTING SEALANT AND PROVIDE A CONTINUOUS BEAD OF SEALANT IN THE FOLLOWING LOCATIONS:
 - PERIMETER OF ALL TOILETS AND URINALS TO WALLS AND FLOORS
 - PERIMETER OF SINK TO WALL
 - PERIMETER OF MIRRORS TO WALL
 - PERIMETER OF DIAPER CHANGING TABLE TO WALL
- ORDER ENTIRE RESTROOM PACKAGE OF MATERIALS FROM THE VENDOR LISTED IN THE SPECIFICATIONS. SUBSTITUTIONS ARE NOT ALLOWED.
- FOR ALL TOILET PARTITION DOOR REELS, REPLACE ALL PARTITION DOOR HINGES AND LATCHES. TOILET PARTITION DOOR HINGES SHALL BE SURFACE MOUNTED. EXISTING PARTITION DOOR HINGES AND LATCHES ARE TO BE REPLACED AND SURFACE MOUNTED LATCHES SHALL BE USED.
- REPLACE TOILET SEAT TRIM STORES FOR PUBLIC AND ASSOCIATED RESTROOMS (SEE NOTES 10000, MAINLINE ML 10000) WITH NEW SEAT TRIM STORES.

KEYNOTES

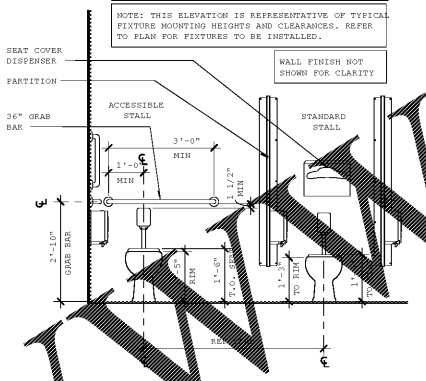
- 10.06 TOILET PAPER HOLDER
- 10.07 SANITARY NAPKIN DISPOSAL
- 10.09 SOAP DISPENSER
- 11 MIRROR
- 10.12 TOILET SEAT COVER DISPENSER
- 10.14 GRAB BARS



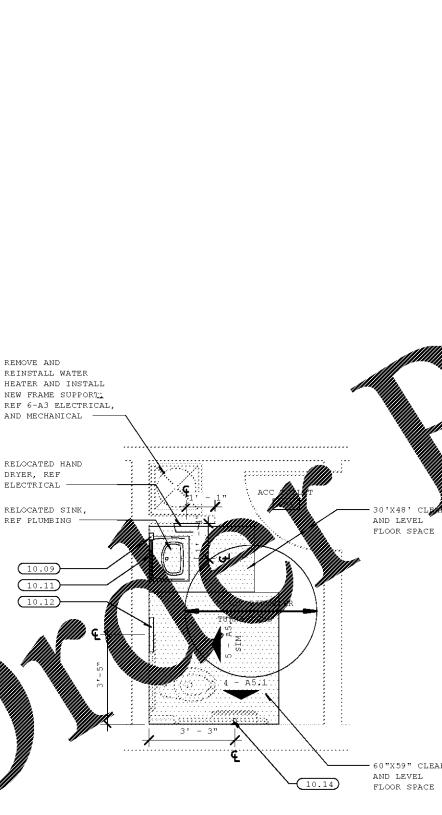
4
1/2" = 1'-0"



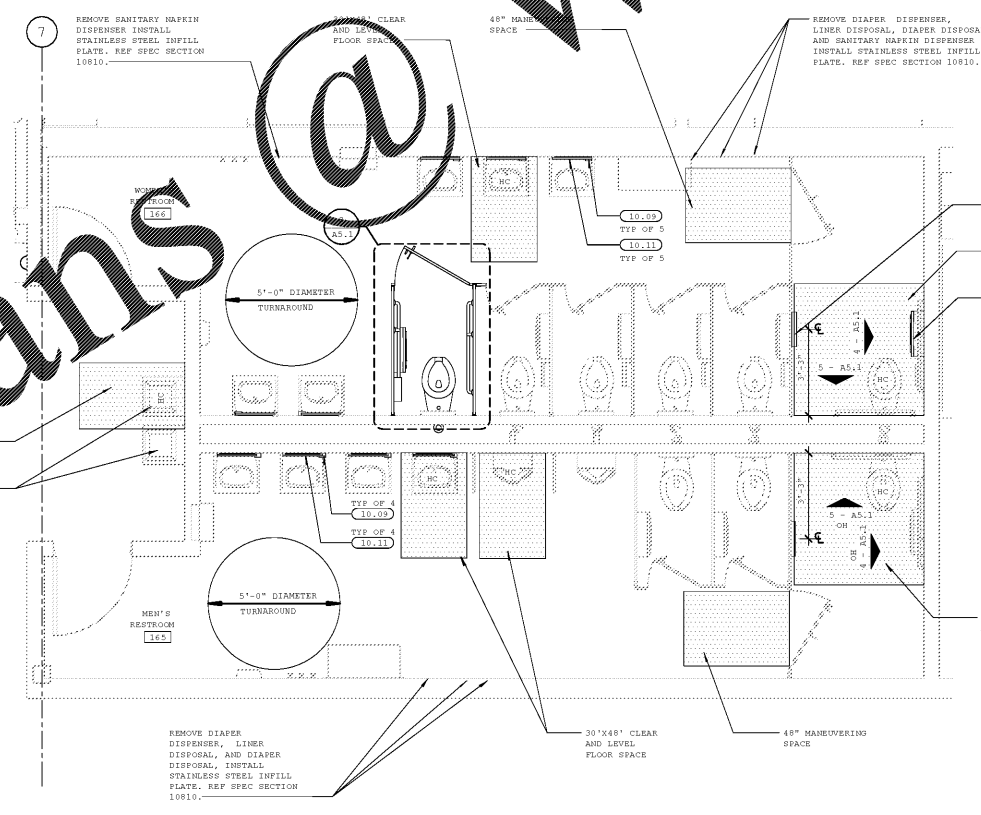
6
1 1/2" = 1'-0"



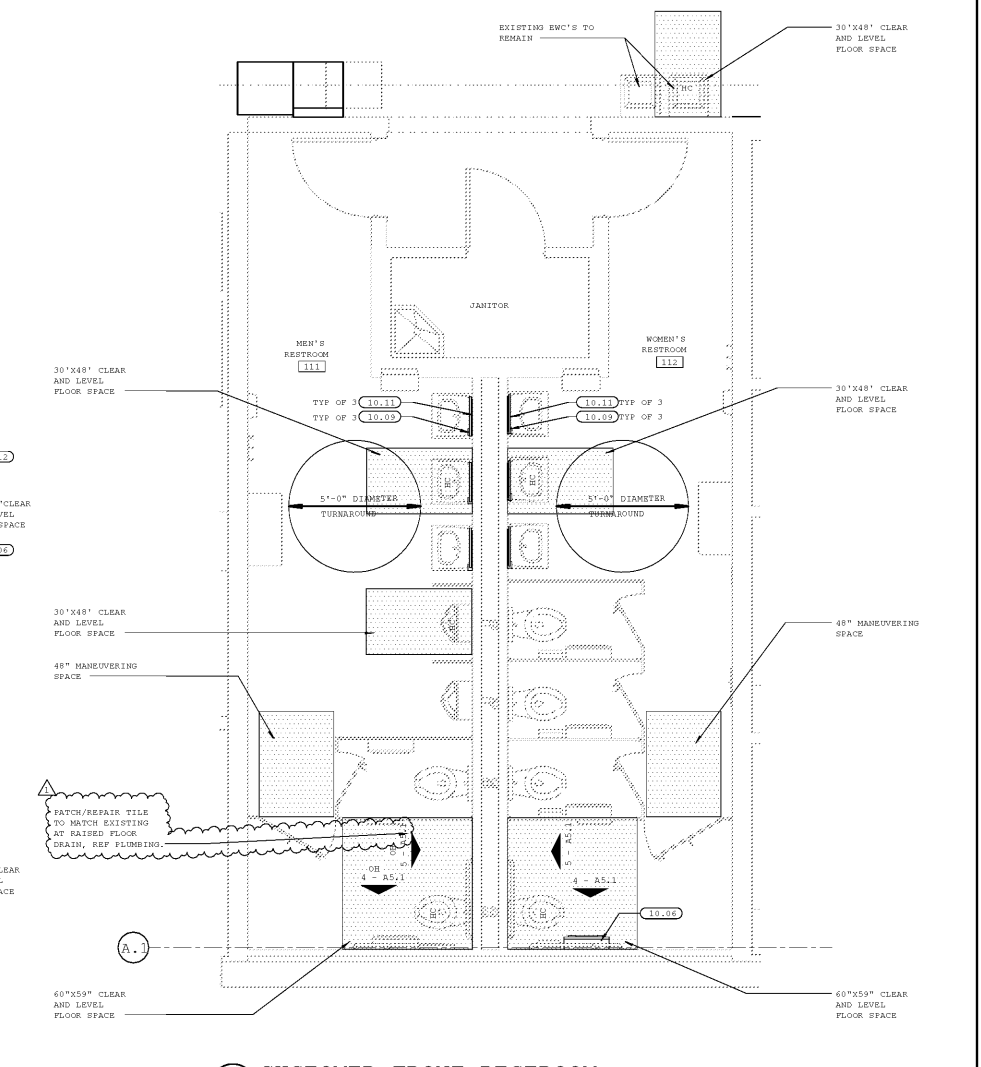
5
1" = 1'-0"



3
3/8" = 1'-0"



2
3/8" = 1'-0"



1
3/8" = 1'-0"

100% Satisfaction Guarantee
 100% On-Time Delivery
 100% Accurate Measurements
 100% Professional Service
 100% Customer Satisfaction

COMMENTS

Walmart
 JESUP, GA
 STORE NO. 2650
 2860278 PHOTO
 138 50

ISSUE BLOCK

NO.	DESCRIPTION	DATE
1	FR1	10/26/19

CHECKED BY: RD
 DRAWN BY: PH
 PHOTO CYCLE: 09/07/19
 DOCUMENT DATE: 10/05/19

NOT FOR CONSTRUCTION

RESTROOM PLANS AND DETAILS

SHEET: A5.1

Order Plans @ www.ldilme.com