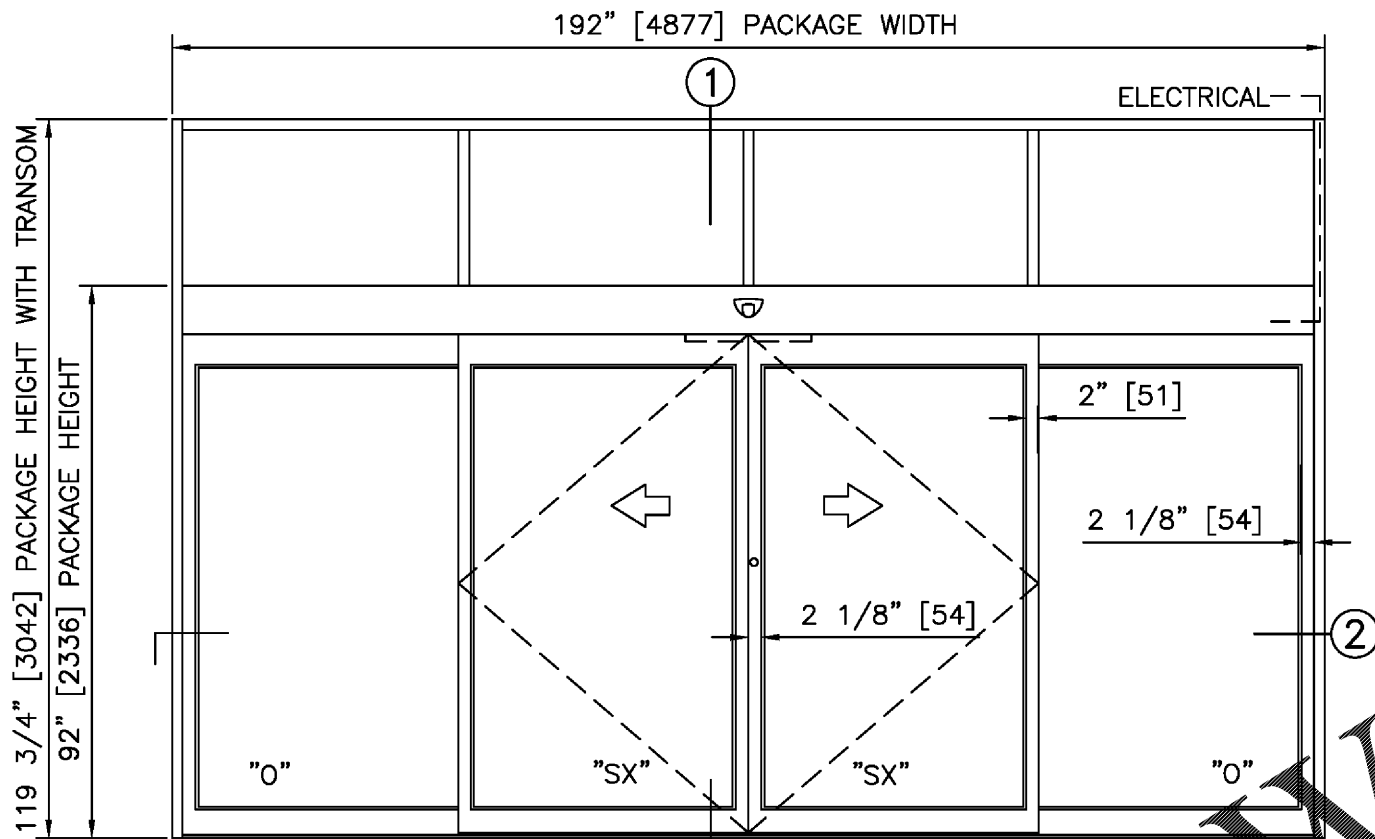
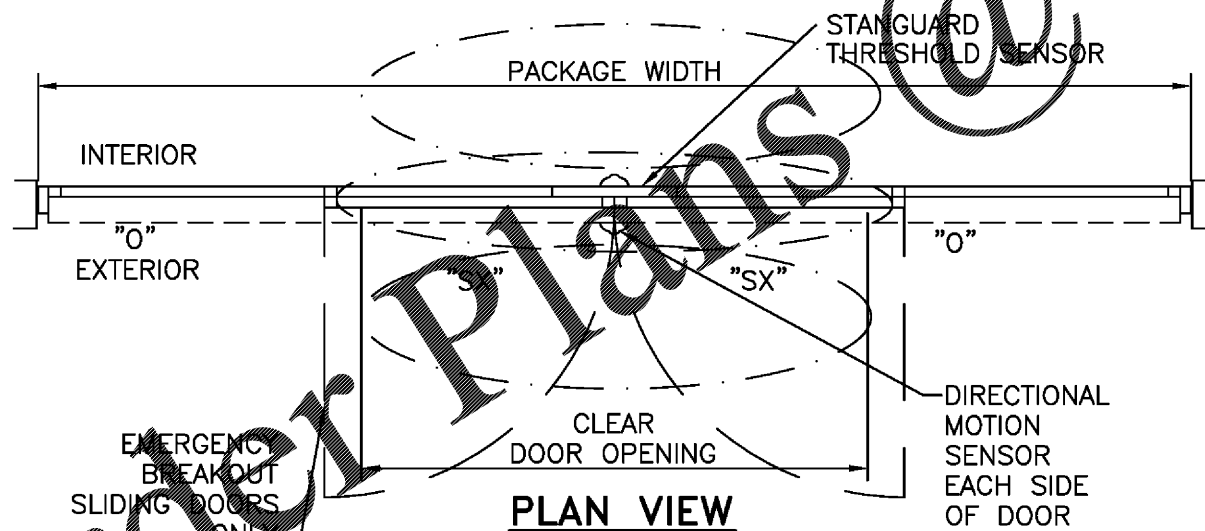


| | |
|-----------------------------------|---------------|
| BI-PART WITH OPTIONAL TRANSOM | |
| PROJECT INFORMATION | |
| PROJECT NAME: ALDI PROTOTYPE V7.0 | |
| LOCATION: VARIOUS (NON-HURRICANE) | |
| DOOR NUMBER(S): TYPICAL EXTERIOR | |
| DATE: 12/07/2017 | SHEET: 1 OF 1 |



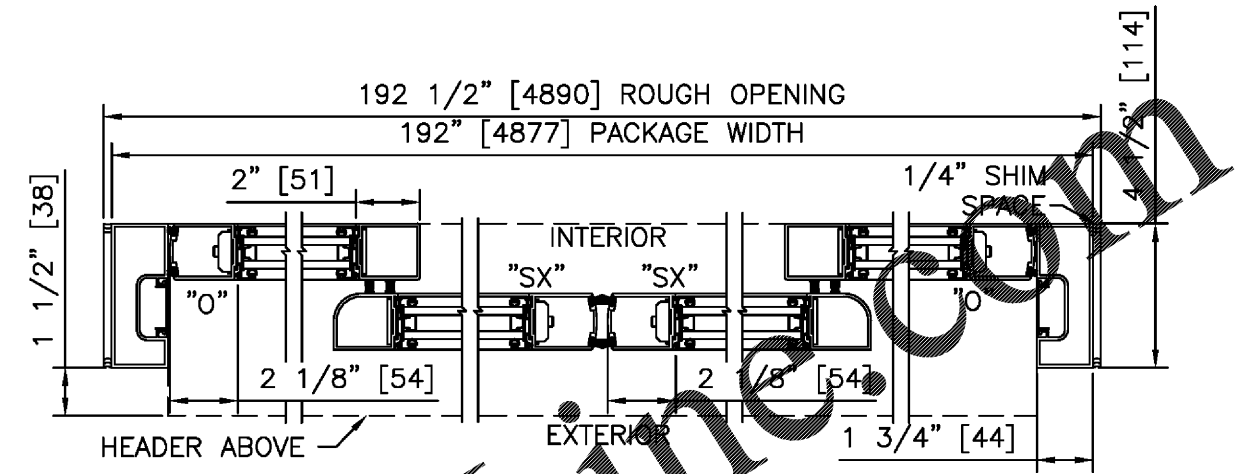
ELEVATION VIEW

SCALE: 3/8" = 1'-0"



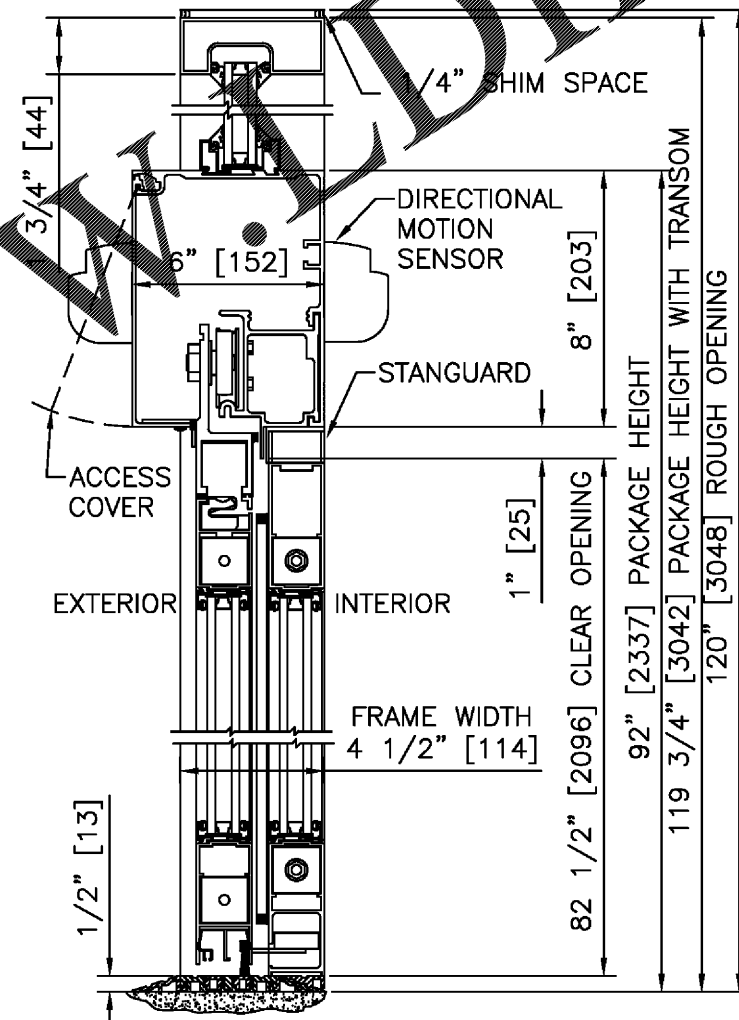
PLAN VIEW

SCALE: 3/8" = 1'-0"



② HORIZONTAL SECTION

SCALE: 1" = 1'-0"



① VERTICAL SECTION

SCALE: 2" = 1'-0"

PRODUCT OPTIONS

- TRANSOM
 - YES
 - VERTICALS 1 2 3
- FINISH
 - ANODIZED CLEAR CL2
 - ANODIZED DK BRONZE
 - CUSTOM
- LOCKING
 - 2-POINT
 - ACCESS CONTROL (PANIC)
 - 3-POINT
- STILES
 - NARROW
 - MEDIUM
- BOTTOM RAILS
 - STANDARD 4"
 - OPTIONAL 6" 8" 10" 12"
- THRESHOLDS
 - SQ/BVL (EXT)
 - DBL BVL
 - SQ/BVL (INT)
 - RECESSED
- ACTIVATION/SAFETY
 - 2 SU-100/STANGUARD
 - 2 COMBINED ACTIVATION/SAFETY SENSORS
- OTHER OPTIONS
 - ROTARY CTRL SWITCH
 - UNINTERRUPTIBLE POWER SUPPLY
 - FLY OPEN BOX
 - WIND DAMPERS
 - ALARM CONTACTS
 - KEYED

BI-PART FORMULAS - NARROW STILE
 PACKAGE WIDTH = 2 X CLEAR DOOR OPENING + 23.4"
 CLEAR DOOR OPENING = 1/2 PACKAGE WIDTH - 11.7"
 EMERGENCY BREAKOUT WIDTH = CLEAR DOOR OPENING + 7.3"
 DOOR PANEL WIDTH = 1/4 PACKAGE WIDTH + 0.3"

- NOTE:
- ELECTRICAL REQUIREMENTS: 120 VAC, 5 AMP MIN TO POWER OPERATOR BY ELECTRICAL CONTRACTOR.
 - ROUGH OPENING SHALL PROVIDE 1/4"[6] SHIM SPACE ON SIDES AND TOP OF PACKAGE.
 - LIMITS OF ACTIVATION AND SAFETY ZONES ARE FOR REFERENCE ONLY; SEE ANSI/BHMA A156.10 FOR DETAILED REQUIREMENTS.
 - STANDARD GLAZING STOPS FOR SLIDING AND FIXED PANELS ARE 1"[25].
 - SEE SPECIFICATIONS FOR ADDITIONAL INFORMATION.

| TYPICAL PACKAGE DIMENSIONS (NARROW STILE) | | | |
|---|----------------------------|--------------------------|-------------------------------|
| PACKAGE WIDTH | NOMINAL CLEAR DOOR OPENING | DOOR PANEL NOMINAL WIDTH | EMERGENCY BREAKOUT NOM. WIDTH |
| 192" | 84.3" | 48.3" | 91.6" |

BI-PART WITH OPTIONAL TRANSOM

DURA-GLIDE
2000
SERIES

STANLEY
Security
ACCESS TECHNOLOGIES