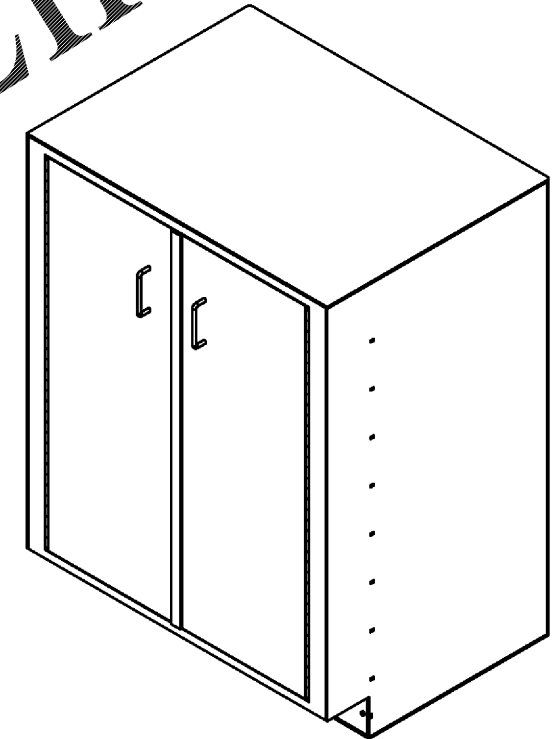
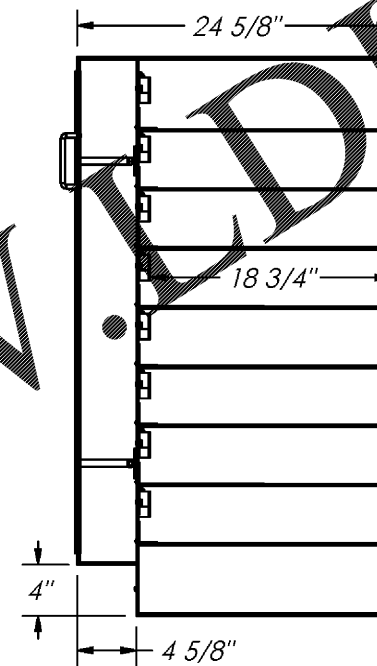
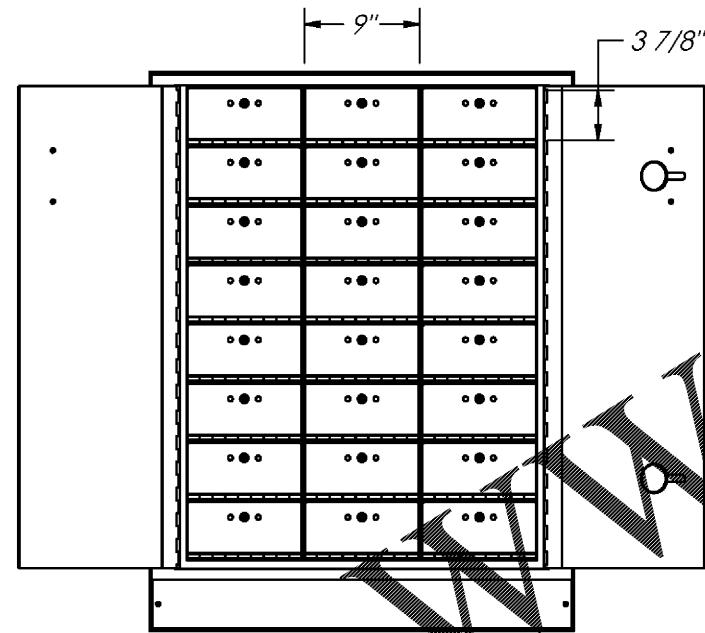
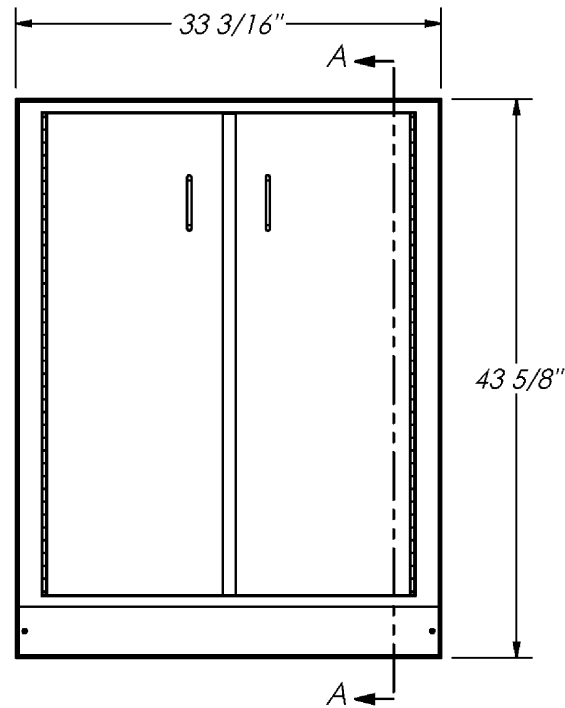


CUSTOMER:

APPROVED BY:

DATE:



LOCKER SPECIFICATIONS:

EXTERIOR SIZE: 43-5/8" H X 33-3/16" W X 24-5/8" D

LOCKER BODY: B-RATE (7 GA - 3/16" STEEL) - DOORS HINGED AT BOTTOM
EXTERIOR DOOR: B-RATE (7 GA - 3/16" STEEL)

EXTERIOR DOOR LOCK: MASTER 1714 (KEYED DIFFERENT W/MASTER KEY)

COLOR: GRAPHITE

ADDITIONAL FEATURES:

(4) 3/4" ANCHOR HOLES IN BACK WALL
(4) 3/4" ANCHOR HOLES IN BOTTOM
REMOVABLE TOE KICK PLATE

DOORS OPEN

SECTION A-A

Order Plans

PROPRIETARY AND CONFIDENTIAL
THE INFORMATION CONTAINED IN THIS DRAWING IS THE SOLE PROPERTY OF FIREKING SECURITY GROUP. ANY REPRODUCTION IN PART OR AS A WHOLE WITHOUT THE WRITTEN PERMISSION OF FIREKING SECURITY GROUP IS PROHIBITED.

UNLESS OTHERWISE SPECIFIED: DIMENSIONS ARE IN INCHES TOLERANCES: FRACTIONAL ±1/16 ANGULAR: MACH ±.5° BEND ±1° TWO PLACE DECIMAL ±.010 THREE PLACE DECIMAL ±.002 FOUR PLACE DECIMAL ±.0005	ENGINEER	NAME	DATE	FIREKING SECURITY GROUP New Albany, Indiana 47150
	DRAWING	D. Jones	10/26/15	
MATERIAL: SEE BOM	THIRD ANGLE PROJECTION			Title: LOCKER ASSEMBLY
FINISH: N/A	COMMENTS: SALES CONCEPT			Model: CUSTOM
DO NOT SCALE DRAWING	SIZE B	DWG. NO. G-96520 SPEC	REV B	SCALE: 1:15
	WEIGHT: 773.952	SHEET 1 OF 1		

PRINTED 1/11/2016 - EXPIRES IN 90 DAYS