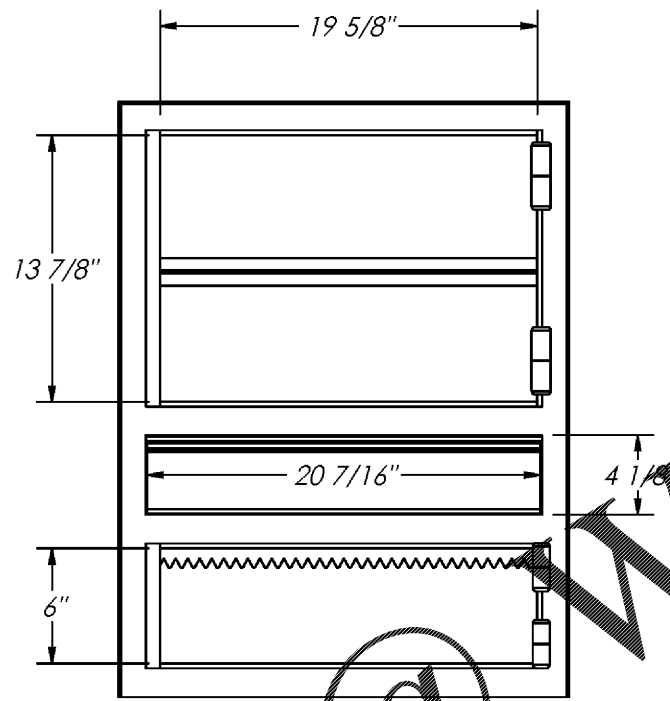
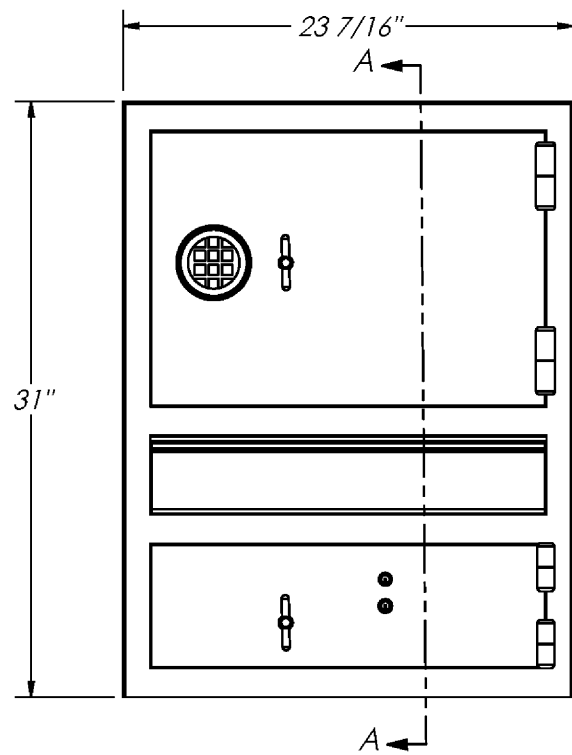


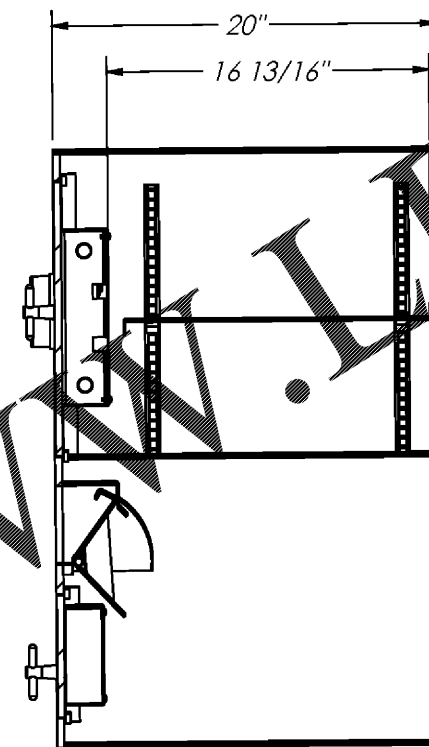
CUSTOMER:

APPROVED BY:

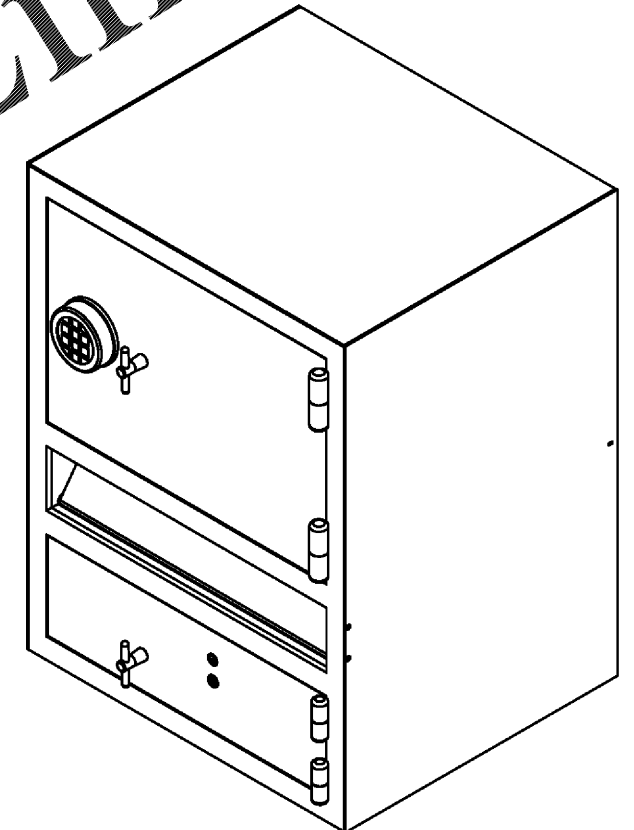
DATE:



DOOR REMOVED



SECTION A-A



Order Plans

PROPRIETARY AND CONFIDENTIAL
 THE INFORMATION CONTAINED IN THIS DRAWING IS THE SOLE PROPERTY OF FIREKING SECURITY GROUP. ANY REPRODUCTION IN PART OR AS A WHOLE WITHOUT THE WRITTEN PERMISSION OF FIREKING SECURITY GROUP IS PROHIBITED.

UNLESS OTHERWISE SPECIFIED:		NAME	DATE	FIREKING SECURITY GROUP New Albany, Indiana 47150	
DIMENSIONS ARE IN INCHES TOLERANCES: FRACTIONAL ±1/16 ANGULAR: MACH ±.5° BEND ±1° TWO PLACE DECIMAL ±.010 THREE PLACE DECIMAL ±.002 FOUR PLACE DECIMAL ±.0005		ENGINEER	M. Schwefel		
MATERIAL: SEE BOM		DRAWING	M. Schwefel	6/9/13	Title: SAFE ASSEMBLY
FINISH:		THIRD ANGLE PROJECTION		Model:	
DO NOT SCALE DRAWING		COMMENTS: SALES CONCEPT		SIZE B	DWG. NO. B3121DM SPEC
				SCALE: 1:10	WEIGHT: 233.07
				REV A	
				SHEET 1 OF 1	

PRINTED 10/22/2015 - EXPIRES IN 30 DAYS