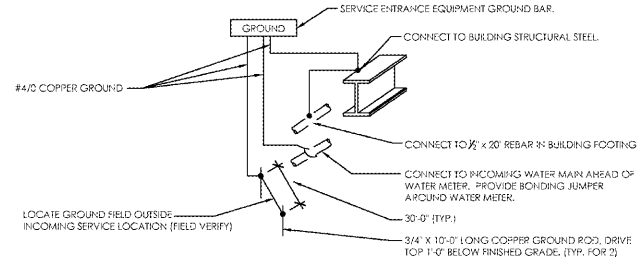
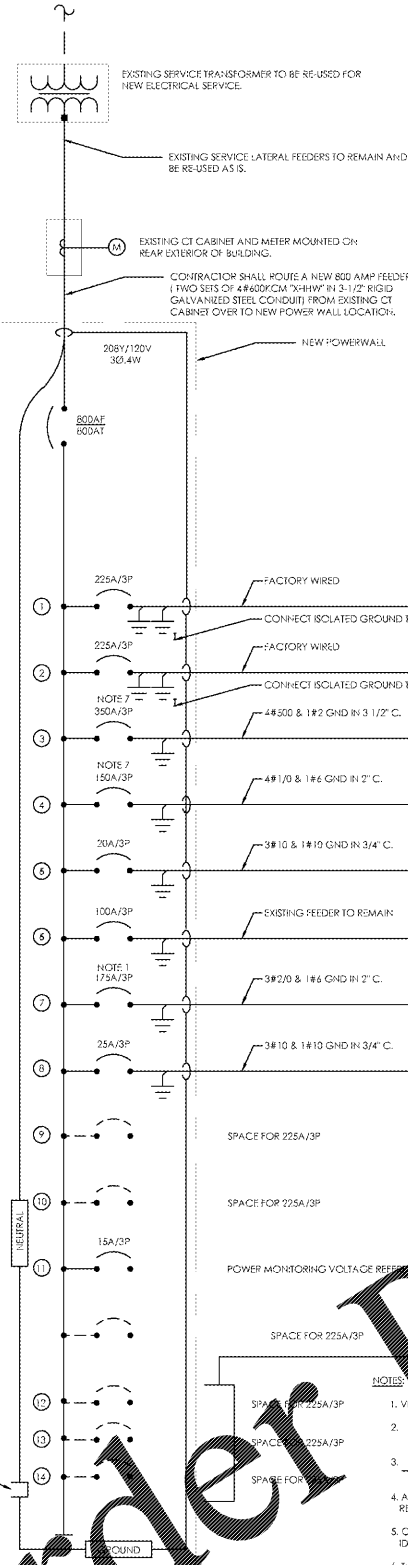


CALCULATED DEMAND LOAD

PEAK DEMAND FOR EXISTING SERVICE AS MEASURED BY ENERGY MANAGEMENT SYSTEM IS 46 KW.
46kW X 1.25 = 57.5KW (MAX. DEMAND X 1.25 = EXISTING DEMAND) NEC 220.87.
(57.5KW / 0.8) + 96.5KVA = 168.4KVA 467.4A. (EXISTING DEMAND + ADDED LOAD = NEW DEMAND LOAD)

PANEL SCHEDULE NOTES

- G GFI CIRCUIT BREAKER
IG ISOLATED GROUND CIRCUIT
LC ROUTE CIRCUIT HOMERUN VIA LIGHTING CONTACTOR
HL FURNISH WITH HANDLE LOCK
CC ROUTE THROUGH CPC CONTACTOR ENCLOSURE. REFER DETAIL D1/E-102.
ER RELOCATE CIRCUIT HOMERUN FROM EXISTING PANEL BEING REMOVED TO NEW PANEL IN POWER WALL AS INDICATED.

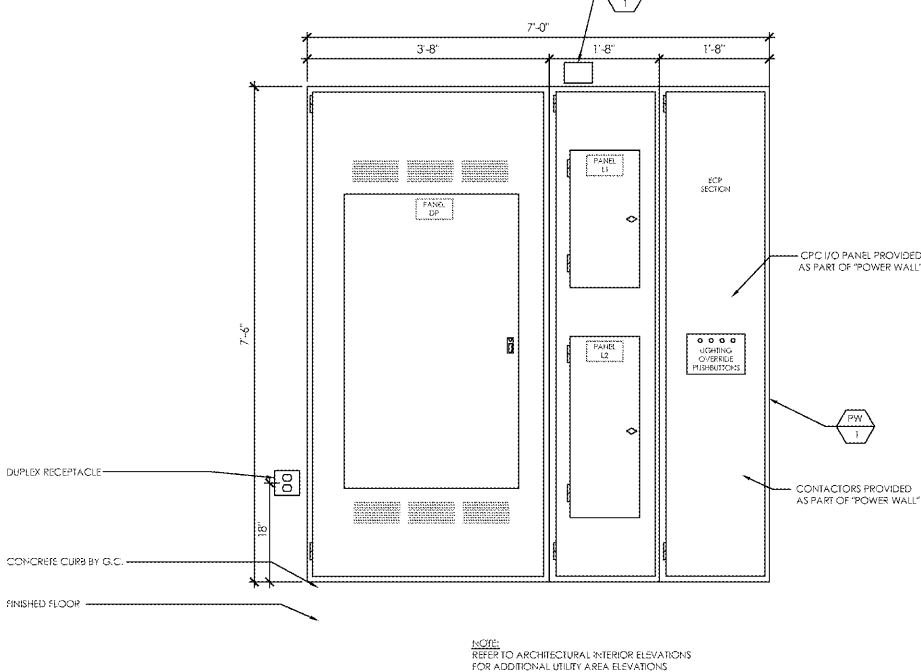


C3 Service Entrance Grounding Detail
SCALE: None

PANEL L1 table with columns: BKR, NOTE, LOAD DESCRIPTION, VA, CKT, PHASE, VA, CKT, VA. Includes summary rows for Connected Load Per Phase and Demand Factor.

PANEL L2 table with columns: BKR, NOTE, LOAD DESCRIPTION, VA, CKT, PHASE, VA, CKT, VA. Includes summary rows for Connected Load Per Phase and Demand Factor.

PANELBOARD SCHEDULES



B1 Utility Area Elevation
SCALE: N.T.S.

Order Plans @ WWW.WEDLINE.COM



1587 DRY POND RD.
JEFFERSON, GA 30549
706.387.7722
FAX: 706.387.7701

ALDI FOOD STORE # 61

2589 Spring Road
Smyrna, GA 30080

REVISIONS

PROJECT DATA
V1.07 100x155 LW Expansion
PROJECT NUMBER 18412
ISSUE DATE 10-25-18

ALDI FOOD STORE #61
Smyrna, GA

E-401

ONE LINE DIAGRAM
SCHEDULES & ELEVATIONS