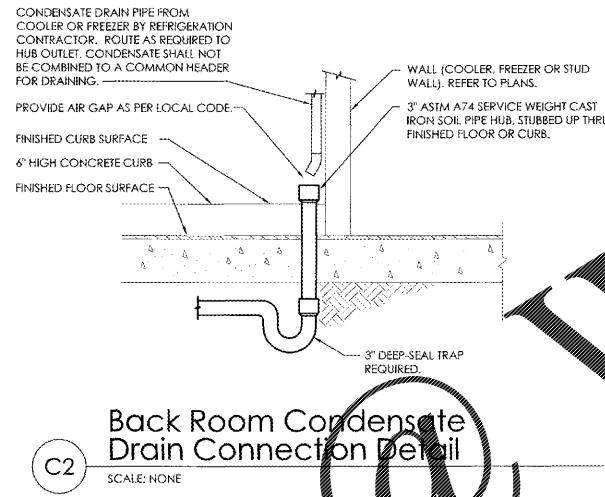
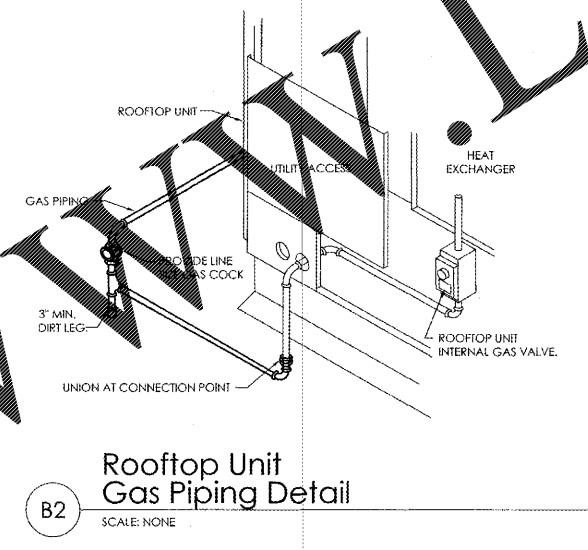


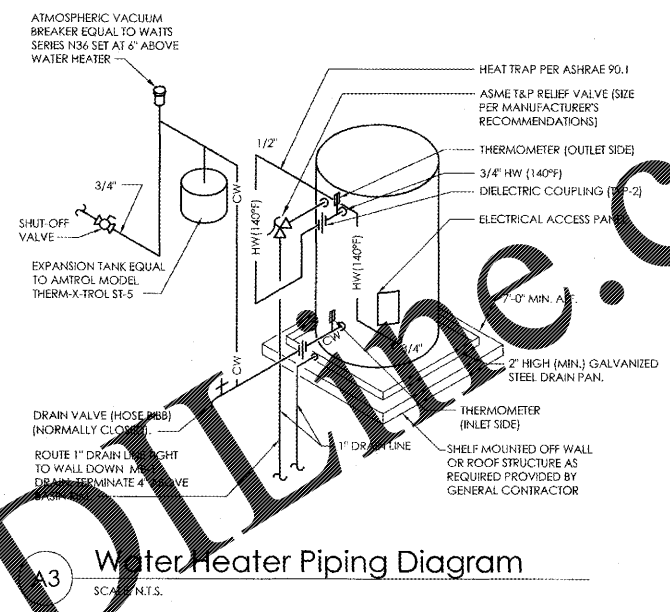
Order Plans



C2 Back Room Condensate Drain Connection Detail
SCALE: NONE



B2 Rooftop Unit Gas Piping Detail
SCALE: NONE



A3 Water Heater Piping Diagram
SCALE: N.T.S.



American Institute of Architects
310 MILLS AVE. GREENVILLE, SC 29605
864.242.9881
www.narramore.com
© 2018 NARRAMORE ASSOCIATES, INC.
COPYRIGHT PROTECTED BY FEDERAL LAW



1597 DRY POND RD.
JEFFERSON, GA 30549
706.387.7722
FAX: 706.387.7701

ALDI FOOD STORE #61

2589 Spring Road
Smyrna, GA 30080

REVISIONS

PROJECT DATA
V1.07 100x155 LW Expansion
PROJECT NUMBER
18412
ISSUE DATE
10-25-18

ALDI FOOD STORE #61
Smyrna, GA

P-401



PLUMBING
DETAILS
18238P-401