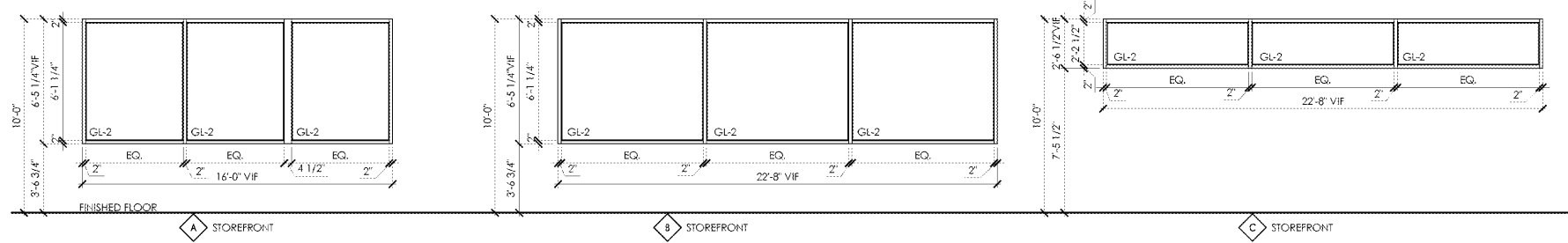
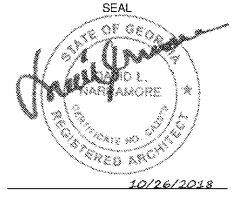
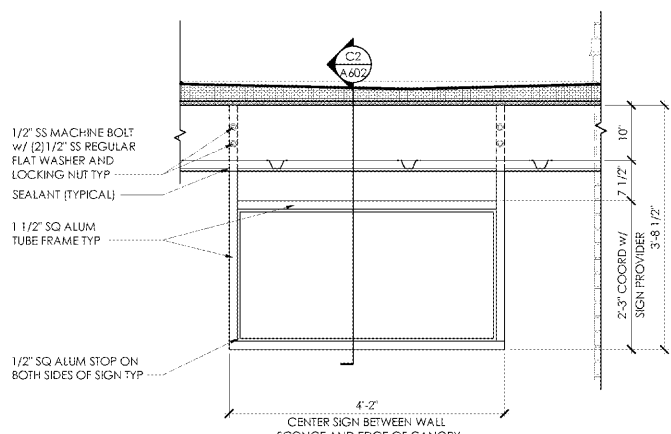




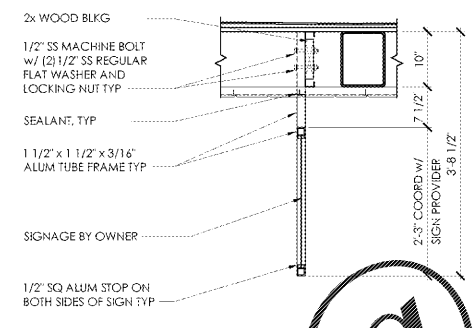
South Carolina Institute of Architects
 310 MILLS AVE. GREENVILLE, SC 29605
 864.242.9881
 plans@narramore.net
 © 2018 NARRAMORE ASSOCIATES, INC.
 COPYRIGHT PROTECTED BY FEDERAL LAW



D3 Window Types
 SCALE: 1/4" = 1'-0"



D2 Quarter Cart Sign Frame
 SCALE: 3/4" = 1'-0"



C2 Quarter Cart Sign Frame
 SCALE: 3/4" = 1'-0"

NOTE:
 1. ALUMINUM FRAMING 1 3/4" (2" INSULATED) X 4 1/2" AND 4 1/2" X 4 1/2" (SEE PLAN).
 2. SEE SPEC FOR GLASS TYPES.
 3. ALL STOREFRONT DIMENSIONS TO BE VERIFIED IN FIELD AND ADJUSTED AS NEEDED.
 4. SHADED GLAZED PANE TO BE SAFETY (TEMPERED) GLASS - SEE SPEC SECTION 088000.

GLAZING SCHEDULE:			
MAT. KEY	KEY DESCRIPTION	DESCRIPTION - COLOR	REMARKS
GL-1	FULLY TEMPERED FLOAT GLASS	CLEAR	SEE PROJECT MANUAL - SECTION 088000
GL-2	LOW E INSULATING GLASS	CLEAR	SEE PROJECT MANUAL - SECTION 088000
GL-5	CERAMIC FRIT-COATED SPANDREL GLASS	COLOR CHARCOAL	SEE PROJECT MANUAL - SECTION 088000



1597 DRY POND RD.
 JEFFERSON, GA 30549
 706.387.7722
 FAX: 706.387.7701

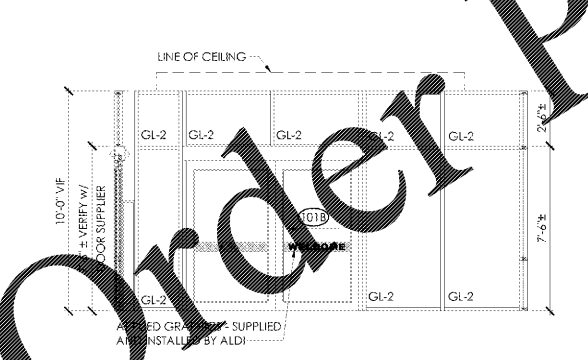
ALDI FOOD STORE # 61
 2589 Spring Road
 Smyrna, GA 30080

REVISIONS

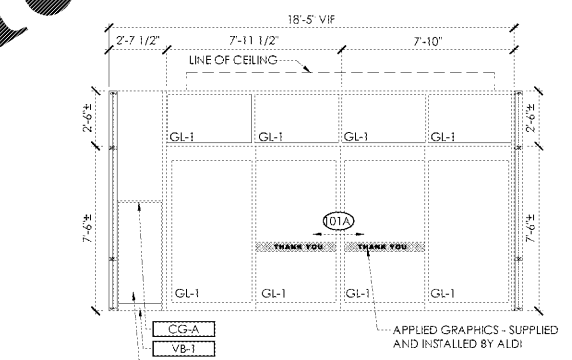
PROJECT DATA
 V1.07 100x155 LW Expansion
 PROJECT NUMBER
 18412
 ISSUE DATE
 09-10-18

ALDI FOOD STORE #61
 Smyrna, GA

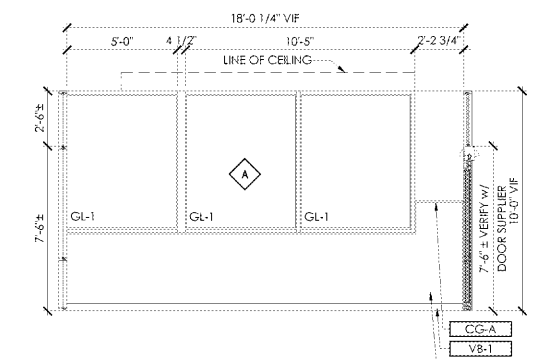
A-602



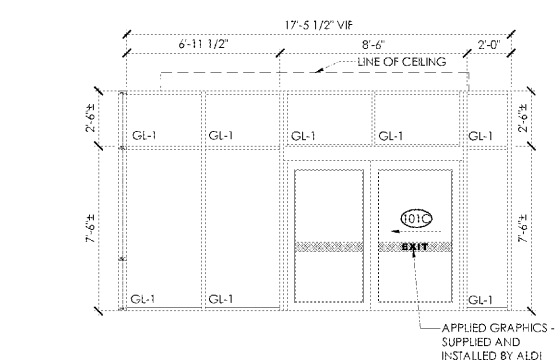
D1 Vestibule
 SCALE: 1/4" = 1'-0"



C1 Vestibule
 SCALE: 1/4" = 1'-0"



B1 Vestibule
 SCALE: 1/4" = 1'-0"



A1 Vestibule
 SCALE: 1/4" = 1'-0"