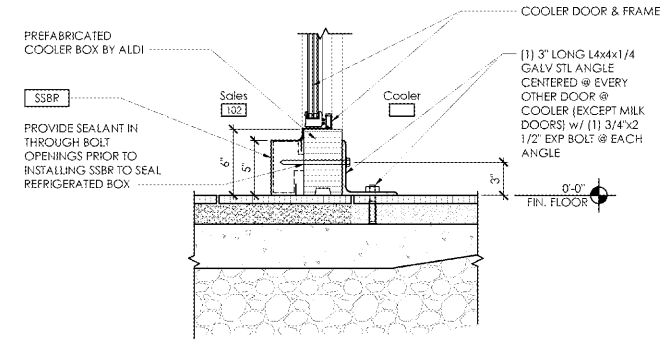
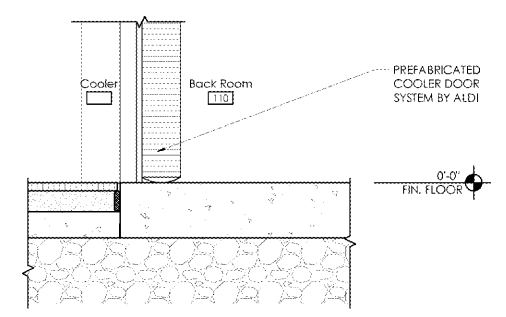


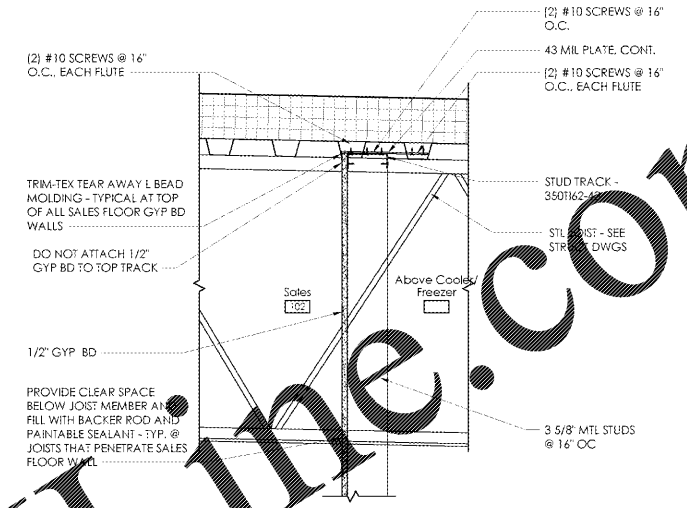
D3 Interior Section Detail - Interior Wall Head at Sales
SCALE: 1 1/2" = 1'-0"



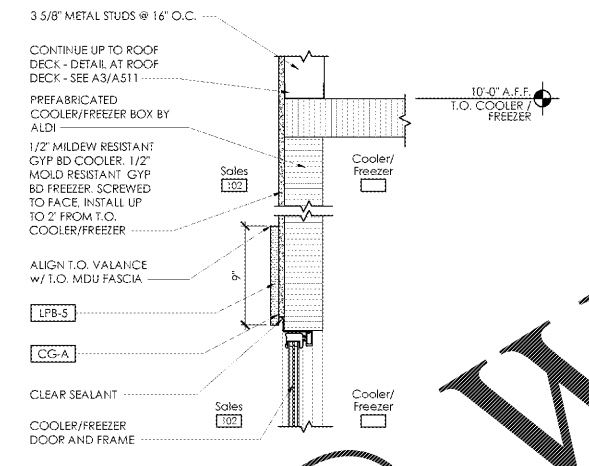
C3 Interior Section Detail - Cooler at General Doors
SCALE: 1 1/2" = 1'-0"



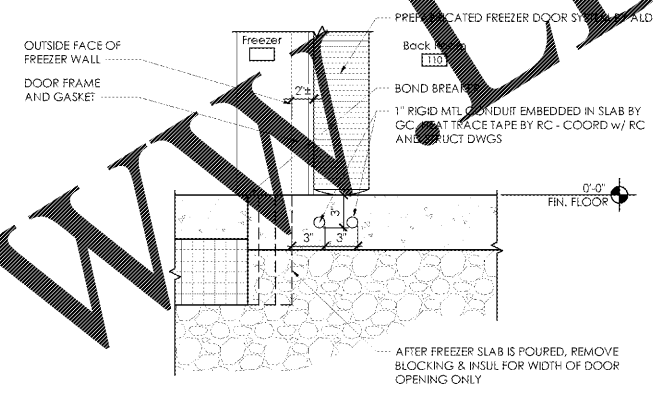
B3 Interior Section Detail - Cooler at Service Door
SCALE: 1 1/2" = 1'-0"



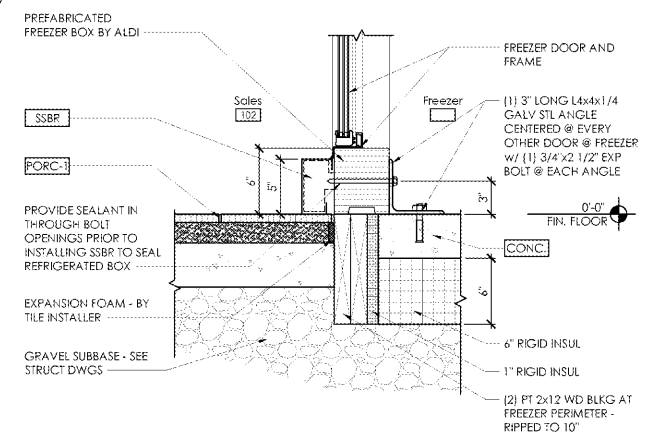
A3 Interior Section Detail - T.O. Cooler/Freezer at Sales
SCALE: 1 1/2" = 1'-0"



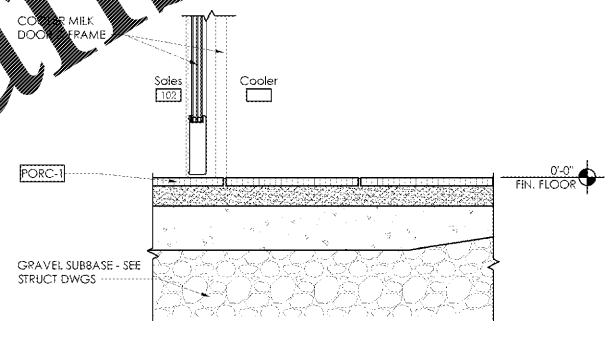
C2 Interior Section Detail - T.O. Cooler/Freezer at Sales
SCALE: 1 1/2" = 1'-0"



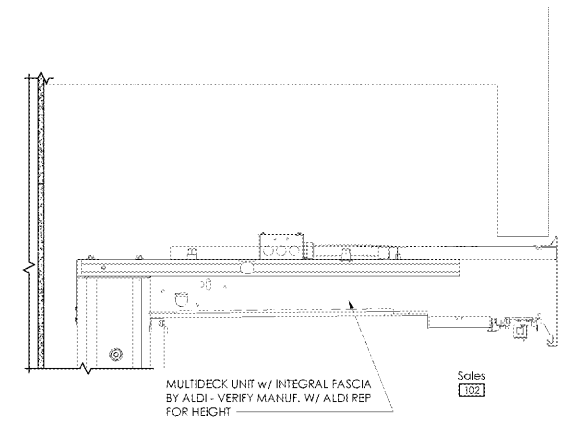
B2 Interior Section Detail - Freezer at Service Door
SCALE: 1 1/2" = 1'-0"



A2 Interior Section Detail - Freezer at General Doors
SCALE: 1 1/2" = 1'-0"



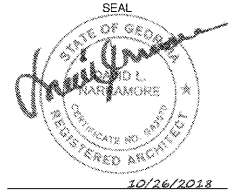
C1 Interior Section Detail - Cooler at Milk Doors
SCALE: 1 1/2" = 1'-0"



A1 Interior Section Detail - MDU Valance
SCALE: 1 1/2" = 1'-0"



American Institute of Architects
310 MILLS AVE. GREENVILLE, SC 29605
864.242.9881
plans@narramore.net
© 2018 NARRAMORE ASSOCIATES, INC.
COPYRIGHT PROTECTED BY FEDERAL LAW



1597 DRY POND RD.
JEFFERSON, GA 30549
706.387.7722
FAX: 706.387.7701

ALDI FOOD STORE # 61
2631 Spring Road
Smyrna, GA 30328

| REVISIONS | |
|-----------|--|
| | |
| | |

PROJECT DATA
V1.07 100x155 LW Expansion
PROJECT NUMBER
18412
ISSUE DATE
09-10-18
ALDI FOOD STORE #61
Smyrna, GA
A-511
INTERIOR
DETAILS - SECTION

Order Plans @

WWW.DIYLINE.COM