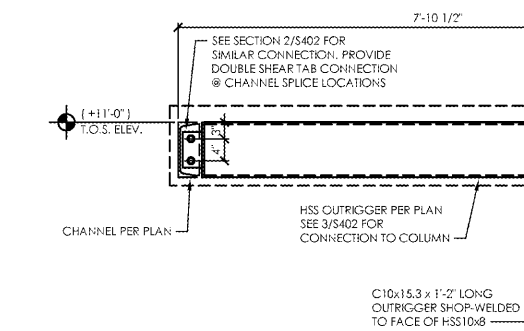
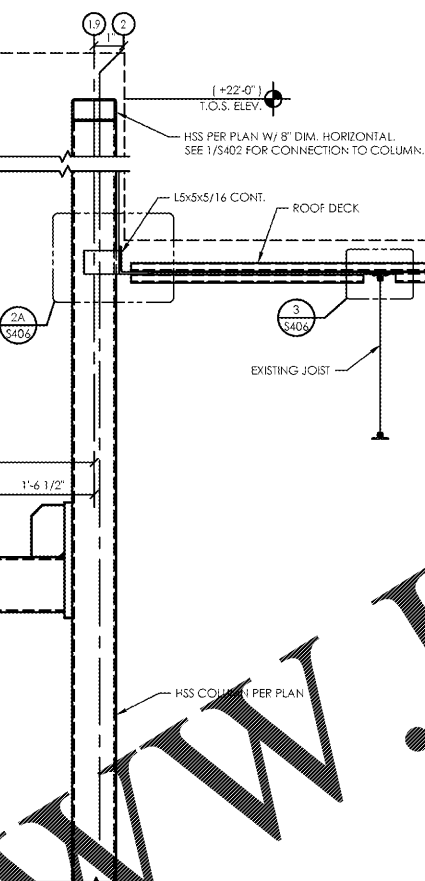


Order Plans @

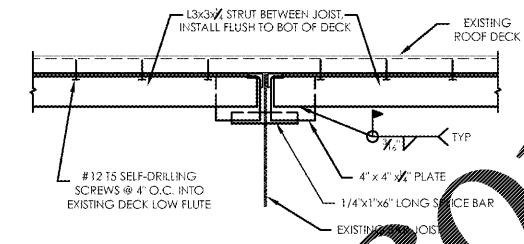
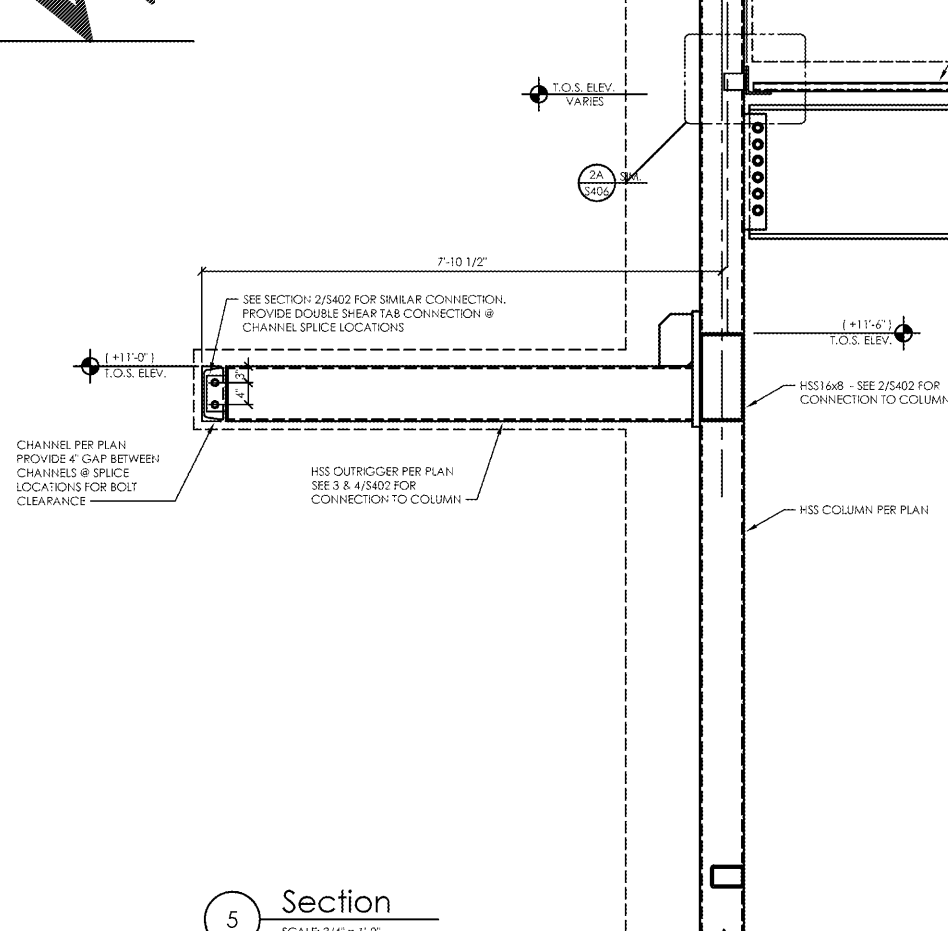
2A Roof Diaphragm Connx to Column
SCALE: 1 1/2" = 1'-0"



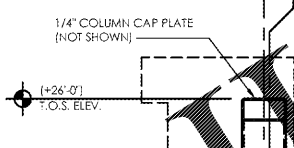
2 Section
SCALE: 1'-0"



5 Section
SCALE: 3/4" = 1'-0"



3 Tower Diaphragm Collector Strut Connx Detail
SCALE: 1 1/2" = 1'-0"



310 MILLS AVE. GREENVILLE, SC 29605
864.242.9881
plans@narramore.net
© 2018 NARRAMORE ASSOCIATES, INC.
COPYRIGHT PROTECTED BY FEDERAL LAW



1597 DRY POND RD.
JEFFERSON, GA 30549
706.387.7722
FAX: 706.387.7701

ALDI FOOD STORE # 61
2589 Spring Road
Smyrna, GA 30080

REVISIONS

PROJECT DATA
V1.07 100x155 LW Expansion
PROJECT NUMBER
18412
ISSUE DATE
10-25-18

BRITT PETERS AND ASSOCIATES INC.
consulting engineers
101 Falls Park Drive
Suite 601
Greenville, SC 29601
(864) 271-8869
(864) 233-5140 Fax
www.brittpeters.com
BPA Job No. 181163

ALDI FOOD STORE #61
Smyrna, GA

S-406

Steel Framing
Sections & Details