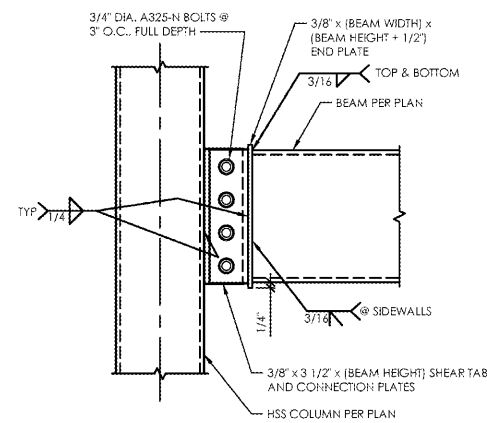


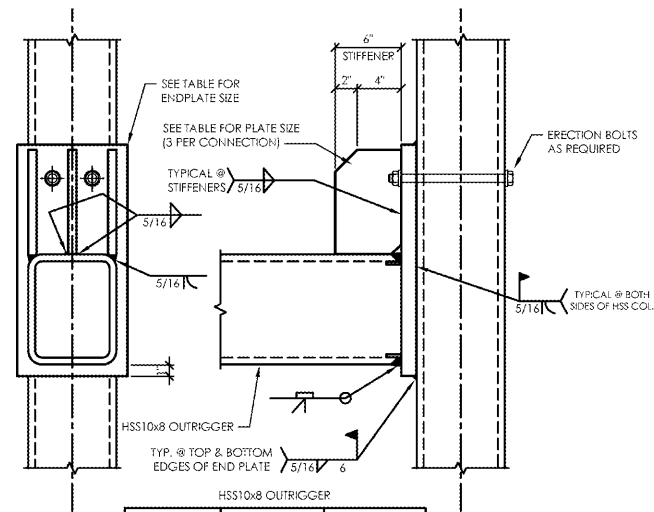
1 Typical HSS Girt Connection Detail

SCALE: 1-1/2" = 1'-0"



2 Typical HSS Header Connection Detail

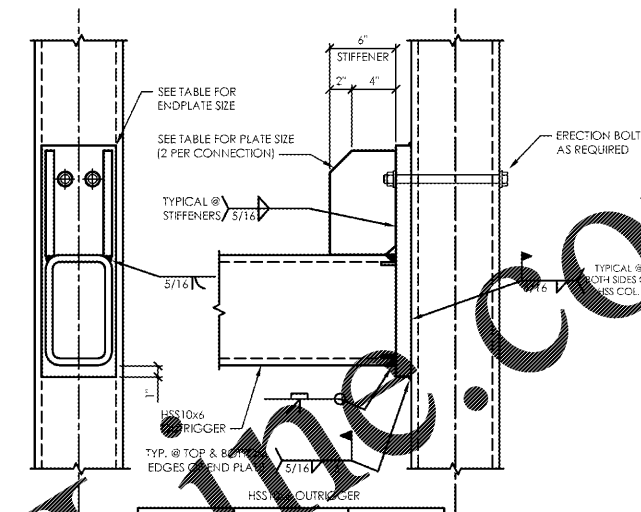
SCALE: 1-1/2" = 1'-0"



OUTRIGGER SIZE	ENDPLATE DIMENSIONS	STIFFENER DIMENSIONS
HSS 10 x 8 x 5/8	1 3/8" x 10" x 1'-9"	1 1/8" x 6" x 9 1/2"
HSS 10 x 8 x 1/2	1 1/4" x 10" x 1'-7"	7/8" x 6" x 7 1/2"
HSS 10 x 8 x 3/8	1 1/4" x 10" x 1'-6"	3/4" x 6" x 6 1/2"
HSS 10 x 8 x 5/16	1 1/4" x 10" x 1'-5"	5/8" x 6" x 5 1/2"

3 Connection Detail For HSS 10x8 Canopy Outrigger

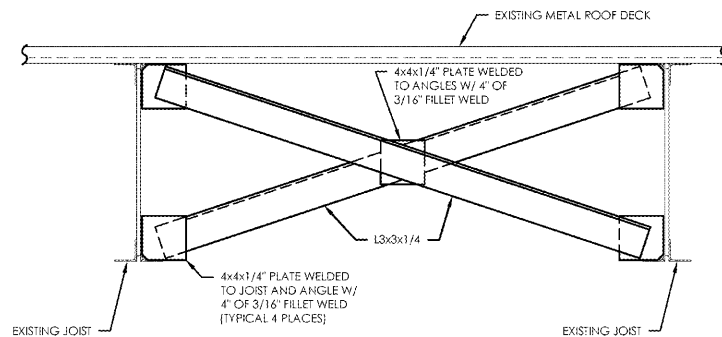
SCALE: 1-1/2" = 1'-0"



OUTRIGGER SIZE	ENDPLATE DIMENSIONS	STIFFENER DIMENSIONS
HSS 10 x 6 x 5/8	1 1/2" x 8 3/4" x 2'-0"	1" x 6" x 1'-0 1/2"
HSS 10 x 6 x 1/2	1 1/2" x 6 3/4" x 1'-9"	7/8" x 6" x 9 1/2"
HSS 10 x 6 x 3/8	1 5/8" x 6 3/4" x 1'-7"	5/8" x 6" x 7 1/2"
HSS 10 x 6 x 5/16	1 5/8" x 6 3/4" x 1'-7"	1/2" x 6" x 7 1/2"

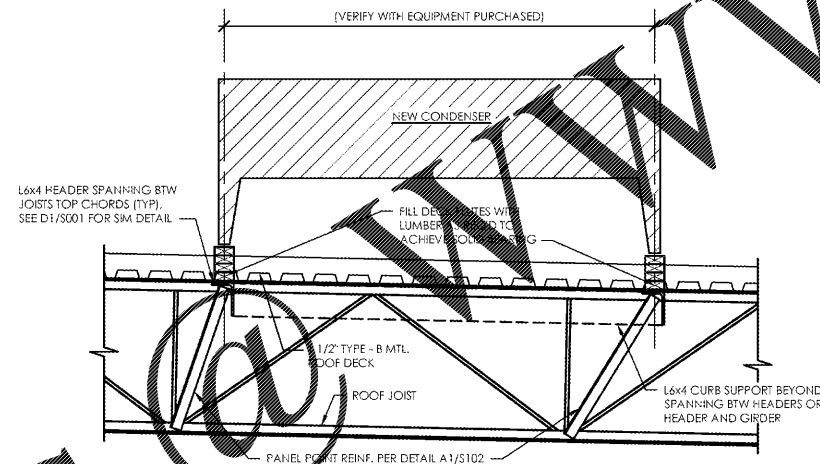
4 Connection Detail For HSS 10x6 Canopy Outrigger

SCALE: 1-1/2" = 1'-0"



5 Typ. X-Bridging Detail

SCALE: 1-1/2" = 1'-0"



6 Condenser Frame Section

SCALE: 3/4" = 1'-0"

Order Plans



310 MILLS AVE. GREENVILLE, SC 29605  
 864.242.9881  
 plans@narramore.net  
 © 2018 NARRAMORE ASSOCIATES, INC.  
 COPYRIGHT PROTECTED BY FEDERAL LAW



1587 DRY POND RD.  
 JEFFERSON, GA 30549  
 706.387.7722  
 FAX: 706.387.7701

ALDI FOOD STORE # 61  
 2589 Spring Road  
 Smyrna, GA 30080

REVISIONS

PROJECT DATA  
 V1.07 100x155 LW Expansion  
 PROJECT NUMBER  
 18412  
 ISSUE DATE  
 10-25-18

BRITT PETERS AND ASSOCIATES INC. consulting engineers  
 101 Falls Park Drive Suite 601 Greenville, SC 29601 (864) 271-8869 (864) 233-5140 Fax www.brittpeters.com BPA Job No. 181163

ALDI FOOD STORE #61 Smyrna, GA

S-402

Steel Framing Sections & Details