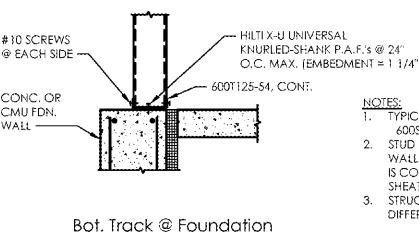
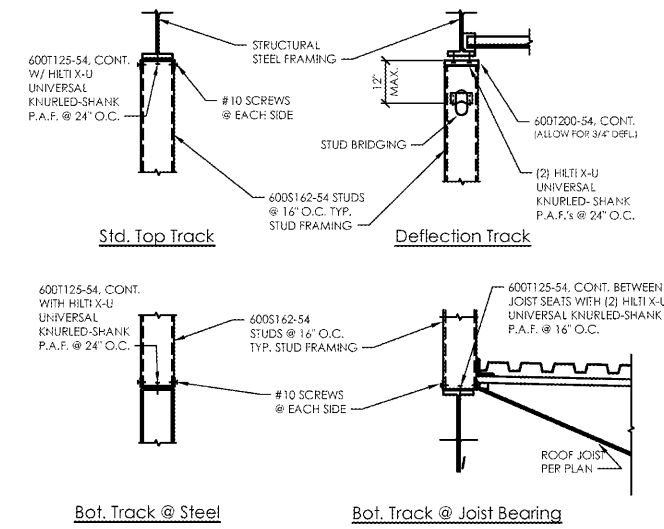


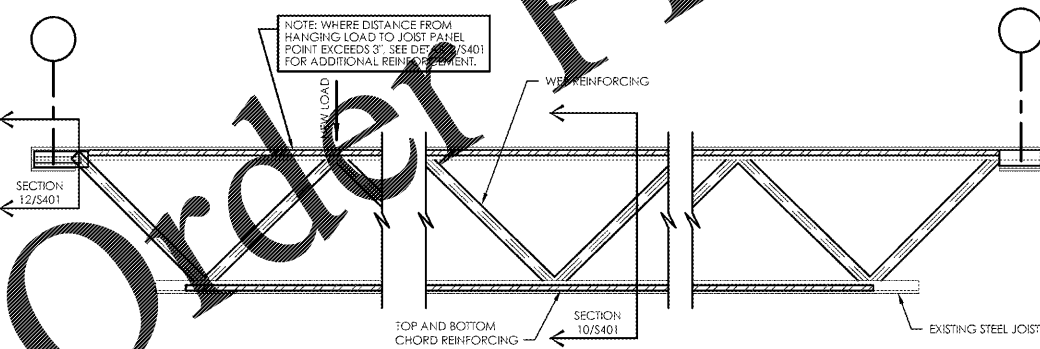
NOTE: WELD OR SCREW DECK EDGES (PARALLEL TO FLUTES) AT 12" O.C. ALONG STEEL SUPPORTS.

1 Typical Roof Deck Fastening System
NO SCALE

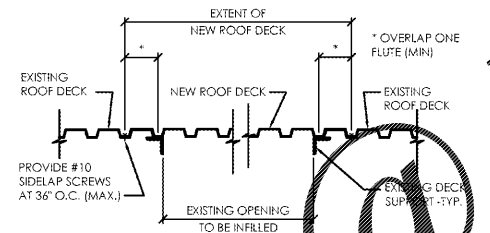
2 Typical Joist Reinforcement Detail
NO SCALE



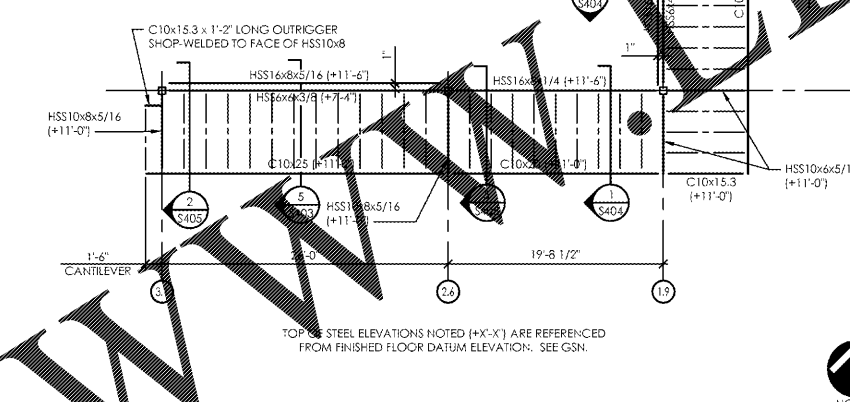
6 Typical CFS Framing Detail
SCALE: 3/4" = 1'-0"



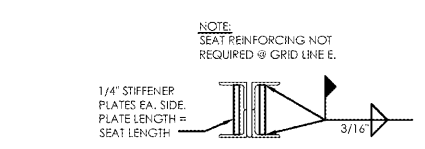
9 Joist Reinforcement Detail
SCALE: 3/4" = 1'-0"



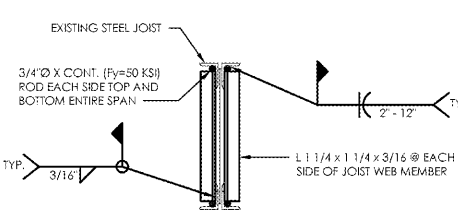
11 Roof Deck Infill Detail
SCALE: 3/4" = 1'-0"



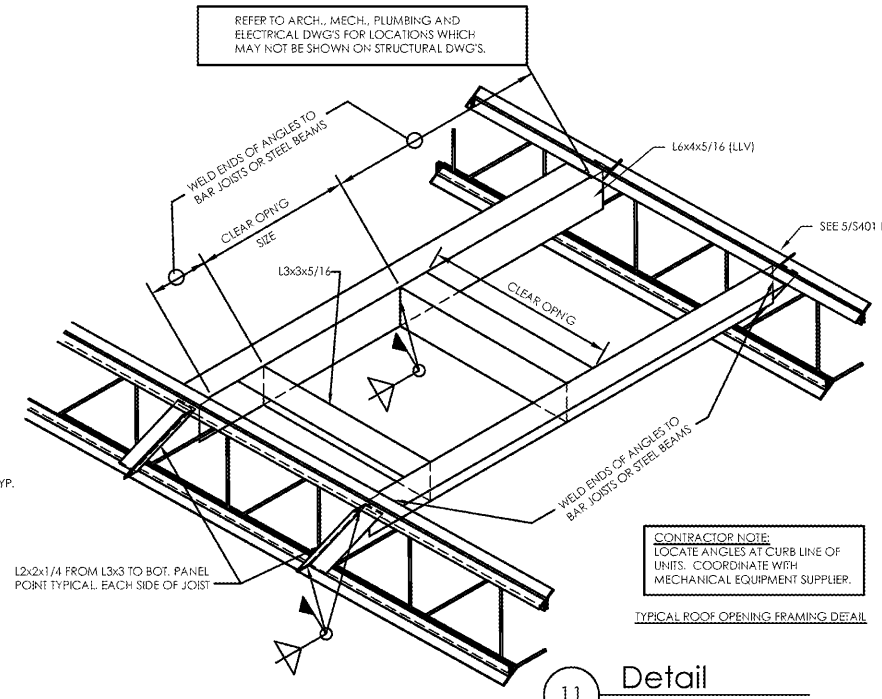
4 Canopy Framing Plan
SCALE: 1/8" = 1'-0"



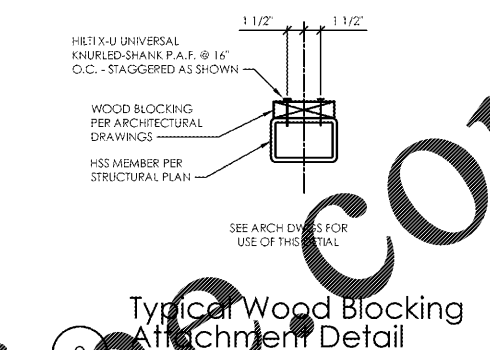
12 Section
SCALE: 3/4" = 1'-0"



10 Section
SCALE: 3/4" = 1'-0"



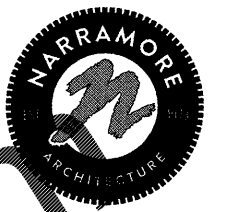
11 Detail
SCALE: 3/4" = 1'-0"



3 Typical Wood Blocking Attachment Detail

- STRUCTURAL PLANS DO NOT SHOW THE FULL EXTENT OF ALL ROOF OPENINGS (NUMBER, SIZES & LOCATIONS). SEE ARCH. DWGS. AND/OR MECH. DWGS. FOR EXACT SIZE AND LOCATION OF ALL ROOF OPENINGS. THIS DETAIL APPLIES TO ALL ROOF OPENINGS GREATER THAN 10' x 10'.
- PROVIDE 14 GA. GALVANIZED STEEL SUMP PANS WHERE REQUIRED @ ROOF DRAINS (SEE ARCH. DWGS. FOR ROOF DRAIN DETAILS & LOCATIONS).
- WHERE OPENINGS ARE 10' x 10' OR LESS, PROVIDE A 24" x 10" x 16 GA. PLATE TACK WELDED TO TOP OF DECK, CENTERED ON OPENING.

5 Typical Detail At Roof Openings
NO SCALE



310 MILLS AVE. GREENVILLE, SC 29605
864.242.9881
plans@narramore.net
© 2018 NARRAMORE ASSOCIATES, INC.
COPYRIGHT PROTECTED BY FEDERAL LAW
SEAL



1597 DRY POND RD.
JEFFERSON, GA 30549
706.387.7722
FAX: 706.387.7701

ALDI FOOD STORE # 61

2589 Spring Road
Smyrna, GA 30080

REVISIONS

PROJECT DATA
V1.07 100x155 LW Expansion
PROJECT NUMBER
18412
ISSUE DATE
10-25-18

BRITT PETERS AND ASSOCIATES INC.
consulting engineers
101 Falls Park Drive
Suite 601
Greenville, SC 29601
(864) 271-8869
(864) 233-5140 Fax
www.brittpeters.com
BPA Job No. 181163

ALDI FOOD STORE #61
Smyrna, GA

S-401

Steel Framing
Sections & Details