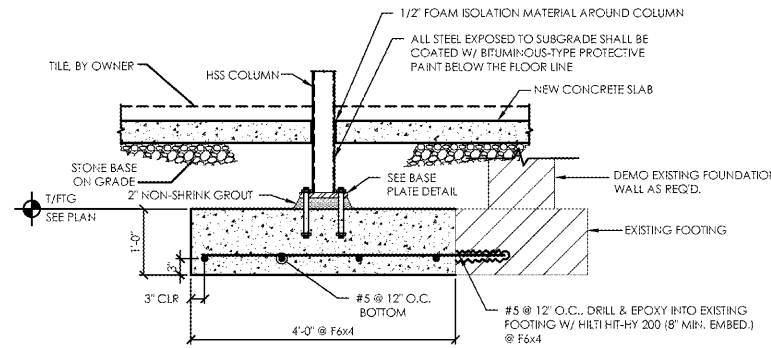
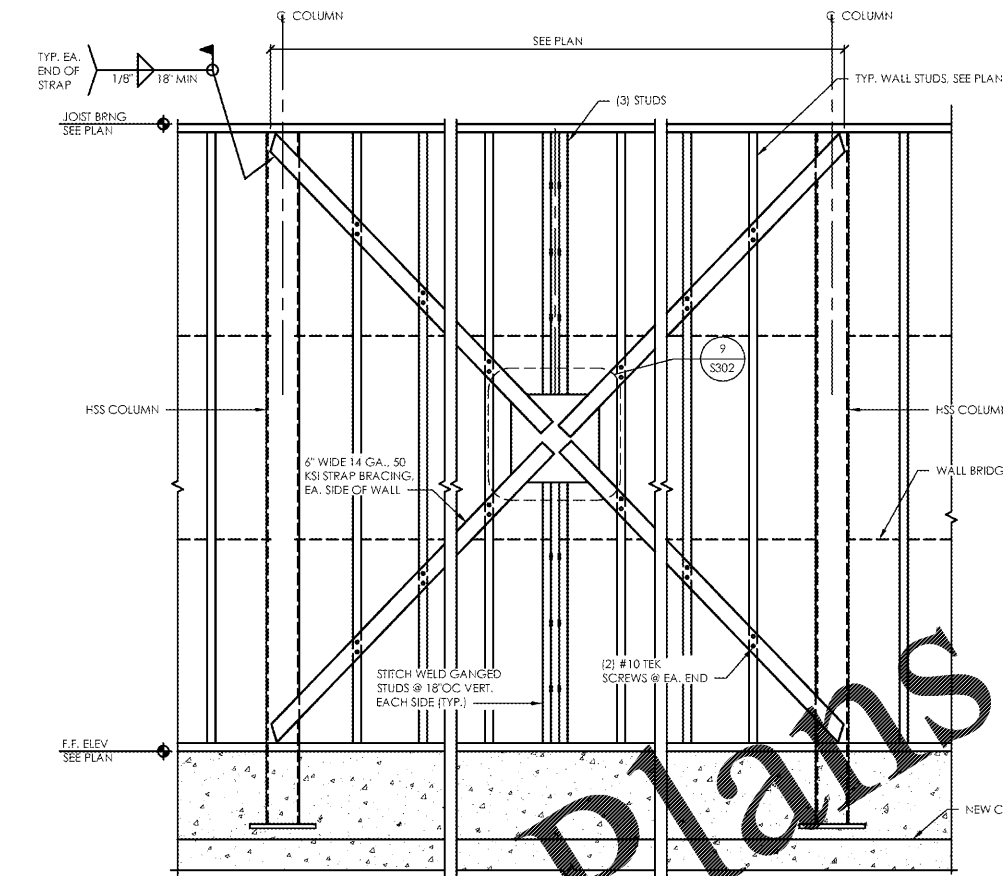


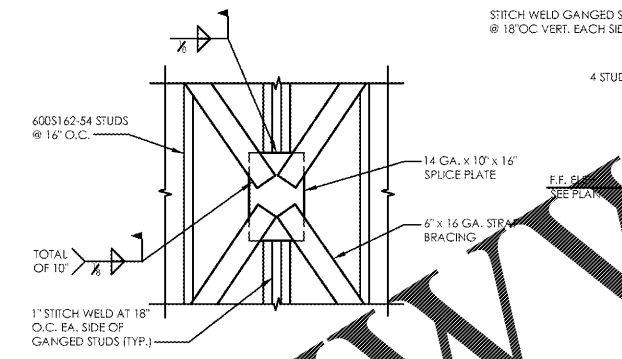
1 Section
SCALE: 3/4" = 1'-0"



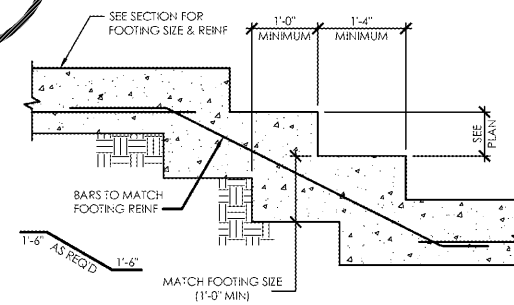
2 Section
SCALE: 3/4" = 1'-0"



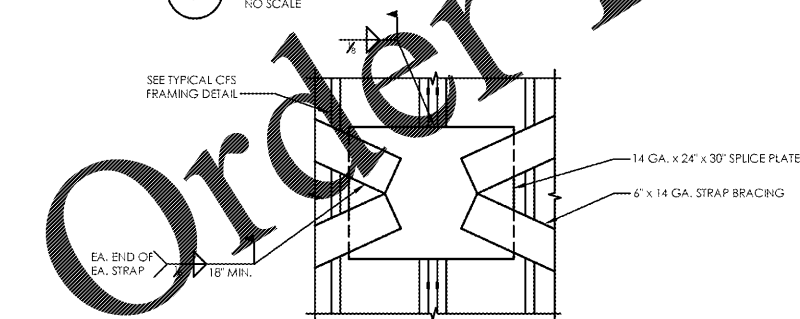
5 Wall Bracing at New Shear Panel (XBW1)
NO SCALE



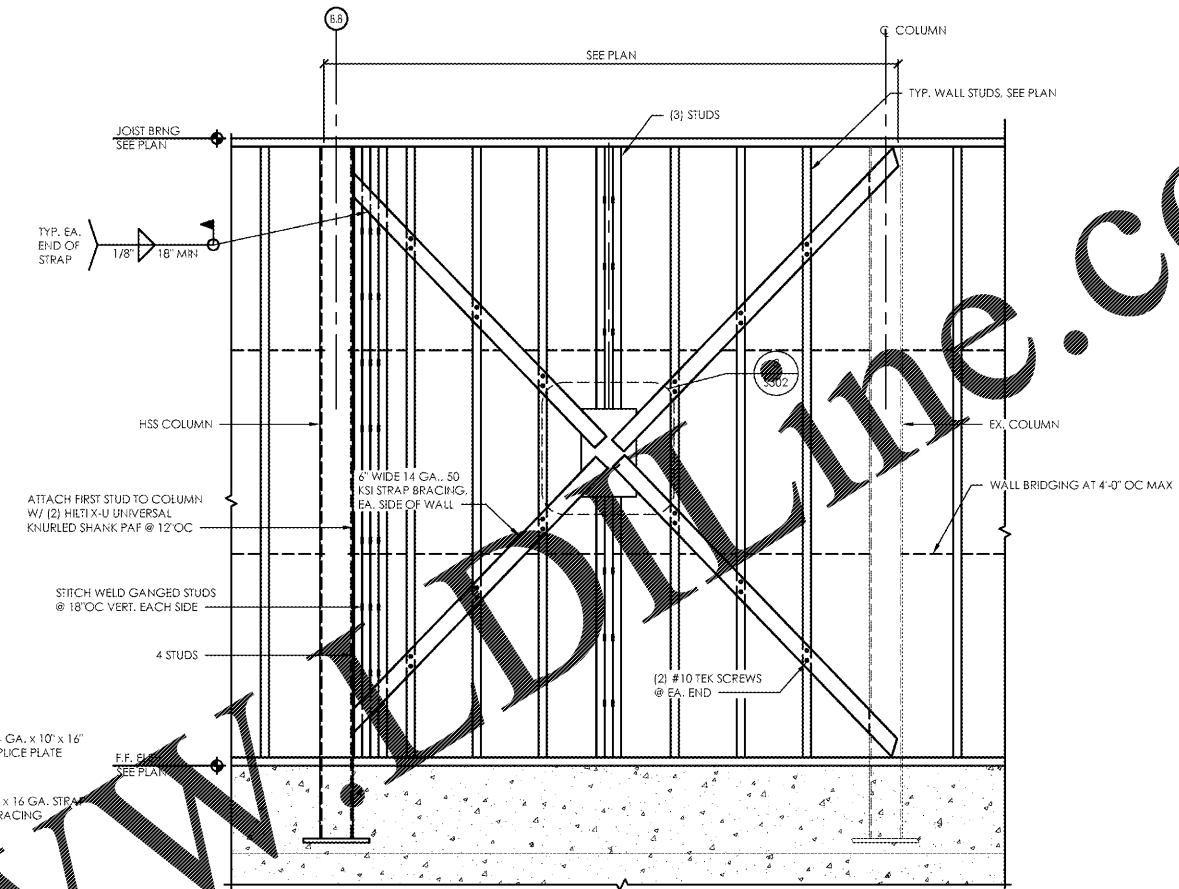
8 Strap Bracing Strap Detail
SCALE: 3/4"



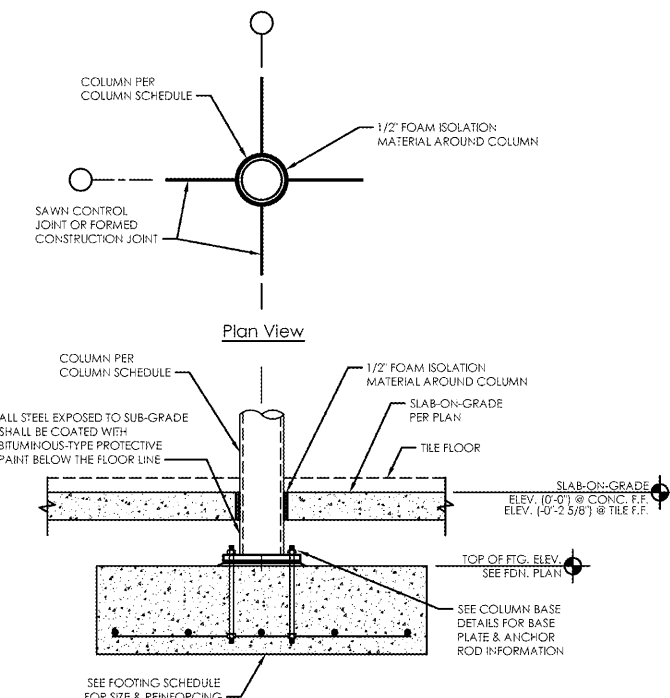
7 Typical Stepped Footing Detail
NO SCALE



9 Strap Bracing Splice Detail
SCALE: 3/4" = 1'-0"



6 Wall Bracing at New Shear Panel (XBW2)
NO SCALE



10 Typical Interior Column Detail
NO SCALE



310 MILLS AVE. GREENVILLE, SC 29605
864.242.9881
plans@narramore.net
© 2018 NARRAMORE ASSOCIATES, INC.
COPYRIGHT PROTECTED BY FEDERAL LAW



1587 DRY POND RD.
JEFFERSON, GA 30549
706.387.7722
FAX: 706.387.7701

ALDI FOOD STORE # 61
2589 Spring Road
Smyrna, GA 30080

REVISIONS

PROJECT DATA
V1.07 100x155 LW Expansion
PROJECT NUMBER
18412
ISSUE DATE
10-25-18

BRITT PETERS AND ASSOCIATES INC.
consulting engineers
101 Falls Park Drive
Suite 601
Greenville, SC 29601
(864) 271-8869
(864) 233-5140 Fax
www.brittpeters.com
BPA Job No. 181163

ALDI FOOD STORE #61
Smyrna, GA

S-302

Foundation
Details

Order Plans

@

WWW.WALLBRACINGPLANS.COM