

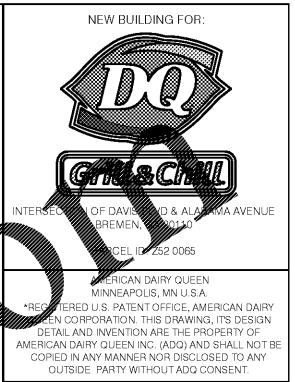
1 REFRIGERATION PLAN
SCALE: 1/4" = 1'-0"

SOFTSERVE GENERAL NOTES

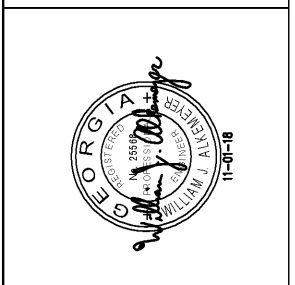
- GENERAL: THESE INSTRUCTIONS ARE FOR INSTALLATION OF ICE CREAM FREEZERS WITH REMOTE AIR COOLED CONDENSERS. FOLLOW THESE INSTRUCTIONS TO INSURE PROPER INSTALLATION, FREEZER PERFORMANCE, AND SAFETY. IT IS ALSO THE RESPONSIBILITY OF THE INSTALLER TO FOLLOW STATE, COUNTY, AND CITY CODES AND REGULATIONS.
- RESTRICTIONS: THE MAXIMUM LENGTH OF CONDENSER LINE IS 50'. DO NOT EXPOSE MORE THAN 30' OF CONDENSER LINE TO THE OUTDOORS. EXCEEDING 30' MAY CAUSE OPERATIONAL PROBLEMS.
- MAIN COMPONENTS: THE AIR COOLED REMOTE FREEZERS CONSIST OF THREE COMPONENTS: FREEZER, REMOTE CONDENSER, & CONDENSER LINE SETS WITH (6" DUKEYS' STOELTING) FLEX LINE. EACH OF THESE COMPONENTS IS SEALED AND FACTORY PRE-CHARGED WITH THE REQUIRED AMOUNT OF REFRIGERANT. NO ADDITIONAL REFRIGERANT CHARGE IS REQUIRED.
- FREEZER INSTALLATION: DETERMINE FREEZER LOCATION IN THE STORE FIRST. ESTABLISH ELECTRICAL AND REFRIGERATION LINE LOCATIONS.
- REMOTE CONDENSER INSTALLATION:
 - LOCATE CONDENSERS AS CLOSE AS POSSIBLE TO FREEZER LOCATIONS.
 - POSITION CONDENSERS WHERE THERE IS MINIMAL RESTRICTION TO AIR FLOW. ALLOW FOR AT LEAST 2' CLEARANCE AT INLET AND OUTLET. POSITION UNITS SO THEY WILL NOT DISCHARGE HOT AIR FROM ONE UNIT INTO ANOTHER.
 - BOLT CONDENSER TO ROOF CURB.
- CONDENSER LINE INSTALLATION:
 - TWO FACTORY PRE-CHARGED AND INSULATED CONDENSER LINE SETS ARE REQUIRED FOR EACH CONDENSER: DISCHARGE 1/2" O.D. LINE SET & LIQUID RETURN 3/8" O.D. LINE SET.
 - ROUTE THE CONDENSER LINE SETS BETWEEN THE FREEZER AND THE CONDENSER POSITION. THE LINES IN A SAFE LOCATION SO THEY CAN BE SECURELY CLAMPED TO A WALL OR SUPPORT MEMBER.
 - ANY EXCESS TUBING SHOULD BE COILED AND LAID FLAT IN AN UNOCCUPIED ROOM LOCATION.
 - THE FLEXIBLE LINES CONNECT TO BACK OF THE FREEZER. FOR EACH SERVICE, EACH FLEXIBLE LINE MUST HAVE ONLY ONE BEND. PROVIDE PROPER PITCH AND OIL TRAP BENDS IN THE DISCHARGE LINE WHERE REQUIRED. NO SHARP BENDS WHEREVER POSSIBLE. DO NOT REMOVE THE INSULATION ON THE LINES DUE TO COMPENSATION AND REFRIGERANT HEAT LOSS.
 - KEEP DISCHARGE LINE SEPARATE FROM THE LIQUID LINE BY AT LEAST 6".

KEY NOTES

- REFRIGERATION SIGHT GLASS IS INCLUDED WITH ALL REFRIGERATION EQUIPMENT PROVIDED BY TENANT/OWNER AND INSTALLED BY THE GENERAL CONTRACTOR.
- HAVE QUALIFIED ROOFER PROPERLY SEAL ANY HOLES MADE FOR REFRIGERATION AND ELECTRICAL LINES.
- EACH PRECHARGED REFRIGERATION LINE SET TO INCLUDE ONE INSULATED SUCTION LINE & ONE SOFT COPPER DISCHARGE LINE, TIE WRAPPED, SEE EQUIPMENT PLAN FOR LINE-SET LENGTH.
- SOFTSERVE FREEZER: INSTALL & MAKE FINAL CONNECTIONS OF PRECHARGED REFRIGERATION LINE (PRECHARGED LINE SETS PART OF EQUIPMENT PACKAGE) FROM ROOF MOUNTED REMOTE CONDENSER TO SOFTSERVE FREEZER.
PRECHARGED LINE SET: RUN FROM ROOF MOUNTED REMOTE CONDENSER(S) THRU SEALED ROOF OPENING INTO CEILING SPACE, CONTINUE INSIDE WALL CAVITY TO HORIZONTAL AND/OR CEILING/WALL SURFACE MOUNTED LINES.
- VERTICAL, WALL SURFACE MOUNTED PRECHARGED LINE SETS.
- DISPLAY FREEZER: INSTALL & MAKE FINAL CONNECTIONS OF PRECHARGED REFRIGERATION LINE (PRECHARGED LINE SETS PART OF OWNERS EQUIPMENT PACKAGE) FROM DISPLAY FREEZER TO ROOF MOUNTED REMOTE COMPRESSOR. NOTE: IF RUN IS LONGER THAN 25', CONTRACTOR TO CONTACT MANUFACTURER FOR RESIZING OF FEED AND RETURN LINES. MECHANICAL CONTRACTOR TO PROVIDE START-UP.
- ICE MAKER: INSTALL & MAKE FINAL CONNECTIONS OF PRECHARGED REFRIGERATION LINE (PRECHARGED LINE SETS PART OF OWNERS EQUIPMENT PACKAGE) FROM EVAPORATOR COIL TO ROOF MOUNTED REMOTE CONDENSER. MECHANICAL CONTRACTOR TO PROVIDE START-UP. NOTE: BRAZING IN THE FIELD MAY BE REQUIRED ON SOME MODELS.
- WALK-IN COOLER/FREEZER: INSTALL & MAKE FINAL CONNECTIONS OF PRECHARGED REFRIGERATION LINE (PRECHARGED LINE SETS PART OF OWNERS EQUIPMENT PACKAGE) FROM EVAPORATOR COIL TO ROOF MOUNTED REMOTE CONDENSER. MECHANICAL CONTRACTOR TO PROVIDE START-UP.



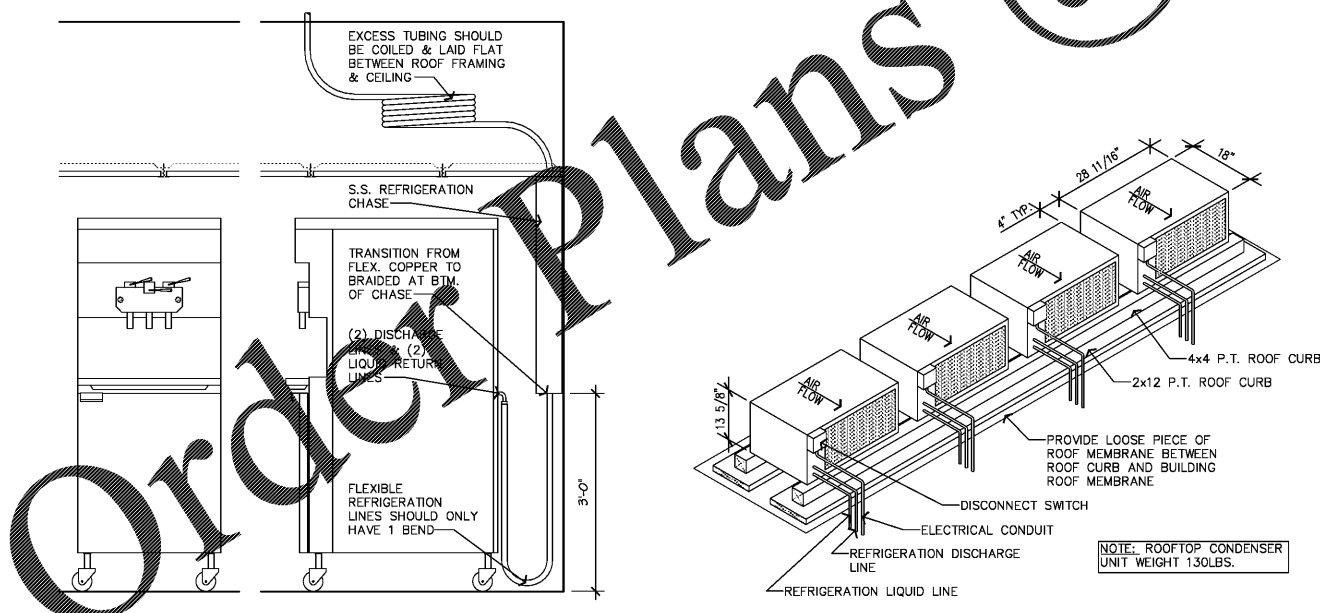
NEW BUILDING FOR:
 INTERSECTION OF DAVIS & ALABAMA AVENUE
 BREMEN, GA 30114
 CELL # 252 0065
 AMERICAN DAIRY QUEEN
 MINNEAPOLIS, MN U.S.A.
 REGISTERED U.S. PATENT OFFICE, AMERICAN DAIRY
 QUEEN CORPORATION. THIS DRAWING, ITS DESIGN
 DETAIL AND INVENTION ARE THE PROPERTY OF
 AMERICAN DAIRY QUEEN INC. (ADQ) AND SHALL NOT BE
 COPIED IN ANY MANNER NOR DISCLOSED TO ANY
 OUTSIDE PARTY WITHOUT ADD. CONSENT.



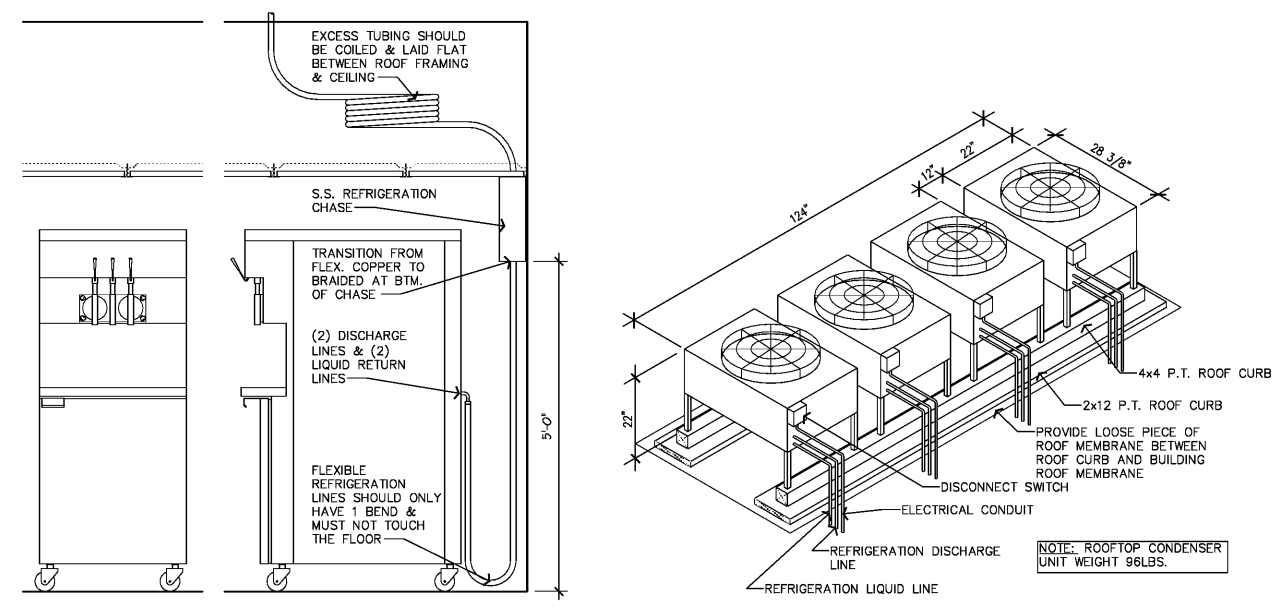
GEORGIA ENGINEER LICENSE
 NUMBER PE025568
 SPECIAL NOTICES
 In the event the client consents to, allows, authorizes or approves of changes to any plans, specifications or other construction documents, and these changes are not approved in writing by the design professional, the client recognizes that such changes and the results thereof are not the responsibility of the design professional. Therefore, the client agrees to release the design professional from any liability arising from the construction, use or result of such changes. In addition, the client agrees to the fullest extent permitted by law, to indemnify and hold the design professional harmless from any damage, liability or cost (including reasonable attorney's fees and costs of defense) arising from such changes. All rights reserved. No part of this drawing may be reproduced by photocopy or by any other means, or stored, processed, or transmitted in any computer or other systems without the prior written permission of the Engineer.

ISSUE DATE: 10-26-18
 REVISION DATE: 10-26-18 ORIGINAL ISSUE

REFRIGERATION PLAN
 SHEET NUMBER:
M5



2 DUKE SOFTSERVE MACHINE & ROOF MOUNTED AIR COOLED/REMOTE CONDENSERS



3 STOELTING SOFTSERVE MACHINE & ROOF MOUNTED AIR COOLED/REMOTE CONDENSERS

Order Plans @ WWW.DUKEPLAN.COM