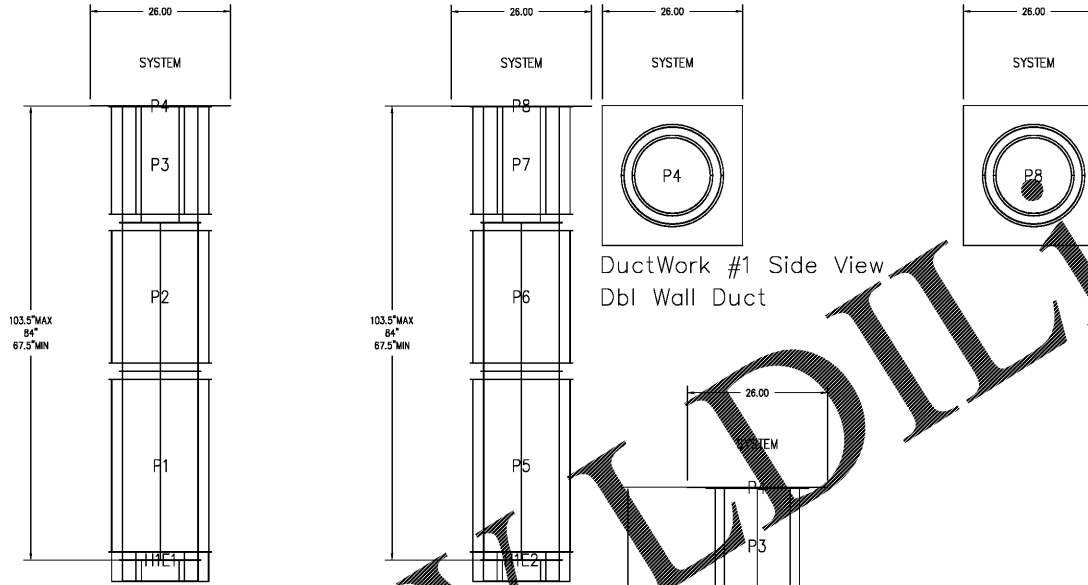


DuctWork #1 Parts - Job#3590126 Dbl Wall Duct

Tag	Part #	CFM	S.P.	Weight	Velocity	QTY	Description
P1	DW1435DWT-2R-S	1468	-0.0101	48.03	1373.23	1	Double Wall Duct - 14" Inner Duct, 35" long - 2 Layers Reduced Clearance - 18" Stainless Steel Outer Shell.
P2	DW1447DWAJD-2R-S	1468	-0.0079	104.88	1373.23	1	Double Wall Adjustable Duct - 14" Inner Duct, 47" long - 2 Layers Reduced Clearance - 18" Stainless Steel Outer Shell. Min Length = 11" / Max Length = 48.5" / Adjustment = 30.5" / Adjustable Section May Need To Be Cut. Includes single and double wall "V" Clamps.
P3 Assembled w/P4	DW142150DWTTP-2R-S	1468	-0.006	30.07	1373.23	1	Double Wall Duct - 14" Inner Duct, 21.5" long - 2 Layers Reduced Clearance - 18" Stainless Steel Outer Shell - Used With Transition Plate.
P4 Assembled w/P3 System at P4	DW2414TP	1468	0	12.00	1373.23	1	Duct to Curb Transition, 24" Curb to 14" Duct, 16 GA Aluminized. Misc. non-standard transition plate.
P5	DW1435DWT-2R-S	1468	-0.0101	48.03	1373.23	1	Double Wall Duct - 14" Inner Duct, 35" long - 2 Layers Reduced Clearance - 18" Stainless Steel Outer Shell.
P6	DW1447DWAJD-2R-S	1468	-0.0079	104.88	1373.23	1	Double Wall Adjustable Duct - 14" Inner Duct, 47" long - 2 Layers Reduced Clearance - 18" Stainless Steel Outer Shell. Min Length = 11" / Max Length = 48.5" / Adjustment = 30.5" / Adjustable Section May Need To Be Cut. Includes single and double wall "V" Clamps.
P7 Assembled w/P8	DW142150DWTTP-2R-S	1468	-0.006	30.07	1373.23	1	Double Wall Duct - 14" Inner Duct, 21.5" long - 2 Layers Reduced Clearance - 18" Stainless Steel Outer Shell - Used With Transition Plate.
P8 Assembled w/P7 System at P8	DW2414TP	1468	0	12.00	1373.23	1	Duct to Curb Transition, 24" Curb to 14" Duct, 16 GA Aluminized. Misc. non-standard transition plate.
	3M-2000PLUS			0.80		2	Duct - 3M Fire Barrier 2000 Plus Silicone - Used as sealant to Seal Duct Joints.
	DW180WRISER-2R-S			9.25		2	Double Wall Riser Cover - Used On 14" Inner Riser, 4" long - 2 Layers Reduced Clearance - 18" Stainless Steel Outer Riser Shell Assembly. Includes Insulation & Single V Clamps For Inner & Outer Connections.
Total Weight				410.06			

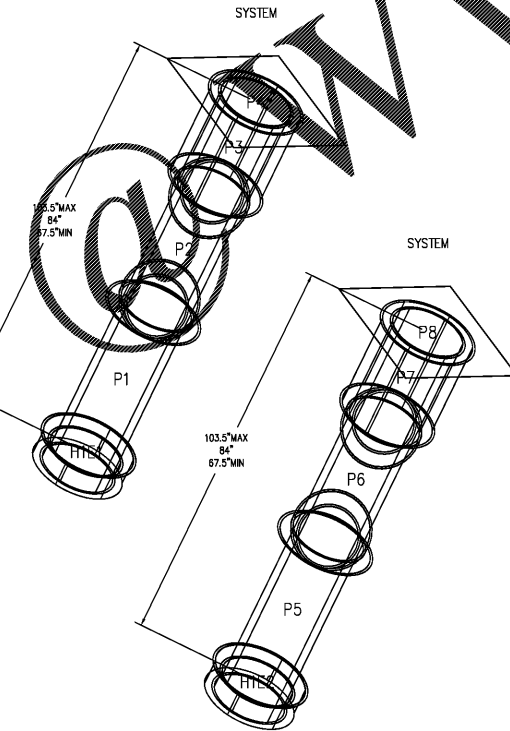
DuctWork #1 Front View
Dbl Wall Duct

DuctWork #1 Top View
Dbl Wall Duct



DuctWork #1 Side View
Dbl Wall Duct

DuctWork #1 SE View
Dbl Wall Duct



DOUBLE WALL FACTORY BUILT DUCTWORK

- ALL DUCTWORK IS REQUIRED TO BE INSTALLED WITH THE MAXIMUM SUPPORT SPACING LISTED BELOW.
- FOR A COMPLETE LIST OF APPROVED SUPPORT METHODS, SEE THE ENTIRE INSTALLATION AND OPERATION MANUAL.
- DUCTWORK SHALL SLOPE NOT LESS THAN 1/16" PER LINEAR FOOT TOWARDS THE HOOD OR AN APPROVED GREASE COLLECTION RESERVOIR.
- WHERE HORIZONTAL DUCTS EXCEED 75 FEET IN LENGTH, THE SLOPE SHALL NOT BE LESS THAN 3/16" PER LINEAR FOOT.

HORIZONTAL	
DUCT DIAMETER	SUPPORT SPACING (ft)
8"	7'
10"	7'
12"	7'
14"	7'
16"	7'
18"	5'
20"	5'
22"	5'
24"	5'

VERTICAL			
TYPE	WALL SUPPORT (ft)	CURB SUPPORT (ft)	FLOOR SUPPORT (ft)
2R & 2R HT	20'	24'	24'
3R	10'	24'	24'
3Z	10'	24'	24'

REVISIONS	
DESCRIPTION	DATE

CAPTIVEAIRE
Iowa Office
2041 Grand Ave, Suite B, West Des Moines, IA 50266 PHONE: (515) 221-1188 FAX: (515) 227-5955 EMAIL: reg71@captiveaire.com

DQ - Bremen, GA
Davis Blvd & Alabama Ave,
BREMEN, GA, 30110

DATE: 10/22/2018
DWG.#: 3590126
DRAWN BY: jsievers
SCALE: 3/4" = 1'-0"
MASTER DRAWING

SHEET NO. 8

NEW BUILDING FOR:
DQ
GRUBBERS
INTERSECTION OF DAVIS BLVD & ALABAMA AVENUE
BREMEN, GA 30110
CELL # 252 0065
AMERICAN DAIRY QUEEN
MINNEAPOLIS, MN U.S.A.
REGISTERED U.S. PATENT OFFICE, AMERICAN DAIRY QUEEN CORPORATION. THIS DRAWING, ITS DESIGN DETAIL AND INVENTION ARE THE PROPERTY OF AMERICAN DAIRY QUEEN INC. (ADQ) AND SHALL NOT BE COPIED IN ANY MANNER NOR DISCLOSED TO ANY OUTSIDE PARTY WITHOUT ADD CONSENT.



GEORGIA
PROFESSIONAL ENGINEER
WILLIAM J. SIEVERS
11-01-18
NUMBER PE025568
SPECIAL NOTICES
In the event the client consents to, allows, authorizes or approves of changes to any plans, specifications or other construction documents, and these changes are not approved in writing by the design professional, the client recognizes that such changes and the results thereof are not the responsibility of the design professional. Therefore, the client agrees to release the design professional from any liability arising from the construction, use or result of such changes. In addition, the client agrees to the fullest extent permitted by law, to indemnify and hold the design professional harmless from any damage, liability or cost (including reasonable attorney's fees and costs of defense) arising from such changes. All rights reserved. No part of this drawing may be reproduced by photocopy or by any other means, or stored, processed, or transmitted in or by any computer or other systems without the prior written permission of the Engineer.

ISSUE DATE: 10-26-18
REVISION DATE: 10-26-18 ORIGINAL ISSUE

CAPTIVEAIRE
HOOD SHOP
DRAWINGS
SHEET NUMBER:
M4.8

Order Plans